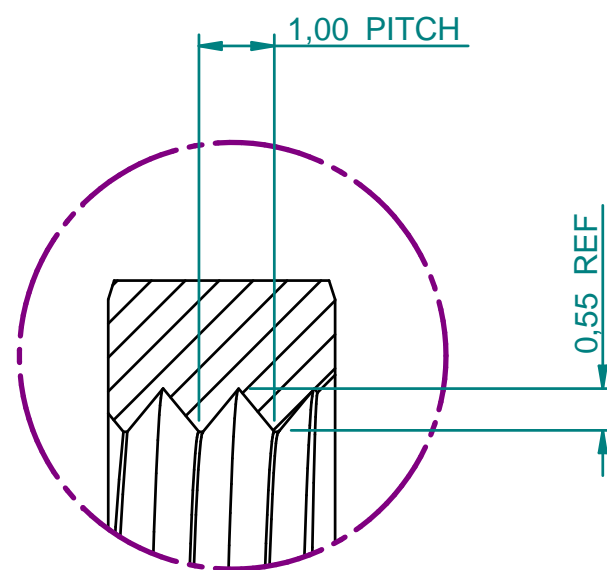


SECTION A-A



DETAIL B

NOTE
ALL DIMENSIONS ARE AFTER
BRIGHT NICKEL PLATING BS1224:1970 Cu/Ni10b

NUT TO BE FREE OF BURR'S AND SHARP
EDGES

© 04 APEM COMPONENTS LTD								
DIMENSIONS IN MM 3rd ANGLE PROJECTION								
DO NOT SCALE DRAWING								
TOL:UNLESS OTHERWISE STATED				CN1803	NOTE AMENDED		3	
1 PLACE	2 PLACE	3 PLACE	ANGLES	CN1510	PLATING THICKNESS ADDED		2	
+/-0,1	+/-0,1			C/N No.	DESCRIPTION		REV	
DRAWN PAR		DATE 28th JUNE 2004		SCALE 5:1		MATERIAL BRASS CZ121 FINISH: BRIGHT NICKEL		
NAME M14,0x1,0 NUT-BRIGHT NICKEL						No OF SHT 1	SHT No 1	
APEM COMPONENTS LIMITED. DRAKES DRIVE, LONG CRENDON. BUCKS. HP18 9BA ENGLAND						DRAWING No. 21-0027 iss 3		