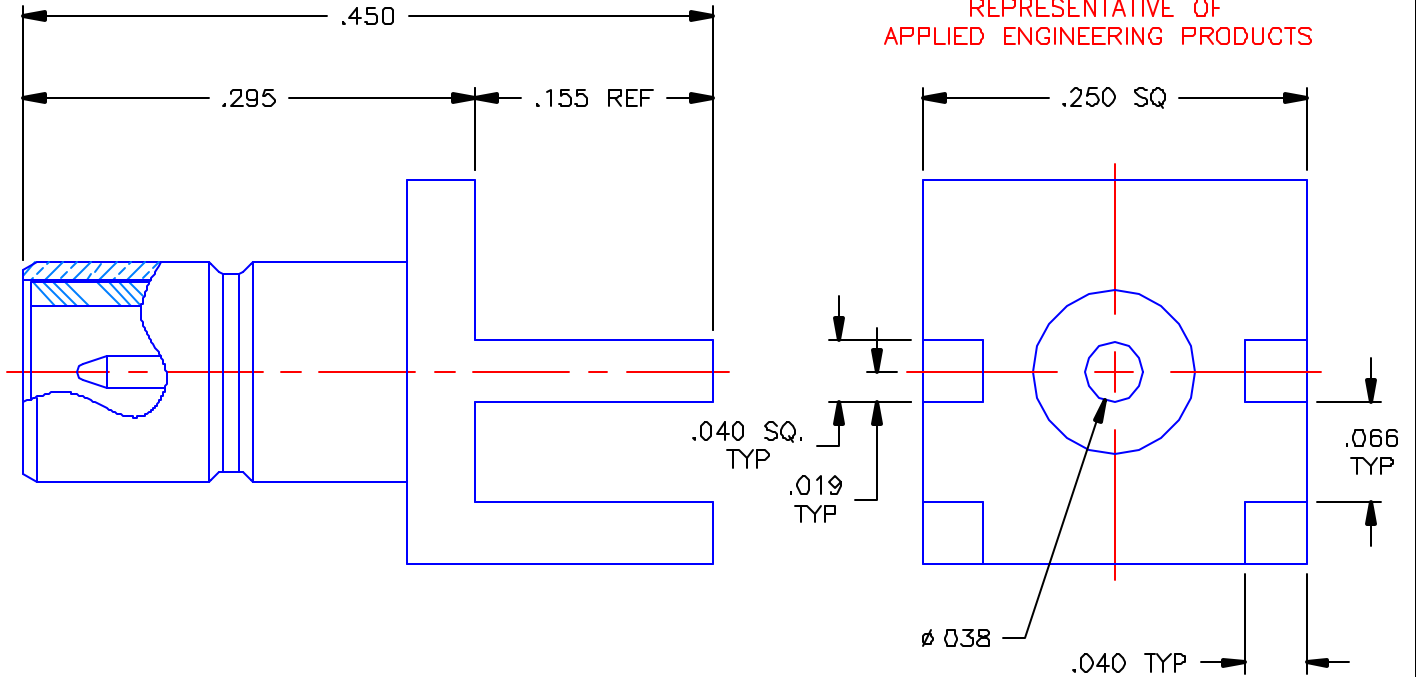


REVISIONS			
REV	DESCRIPTION	DATE	APPROVED
A	ECO #4115	05/14/01	A.D.M.
B	ECO #4541	05/07/02	D.N.

PROPRIETARY INFORMATION
NOT TO BE RELEASED
WITHOUT WRITTEN PERMISSION
FROM AN AUTHORIZED
REPRESENTATIVE OF
APPLIED ENGINEERING PRODUCTS




NOTES: CONFORMS TO MIL-C-39012 SMB SERIES.

MATERIALS:

1. BODY & CONTACT = BRASS PER ASTM B16, ALLOY C36000, TEMPER H02.
2. INSULATOR = VIRGIN WHITE TEFLON PER ASTM D1710, GRADE 1, TYPE I, CLASS "B".

FINISHES:

1. BODY = GOLD PLATE PER MIL-G-45204, TYPE II, CLASS 0, GRADE C, OVER .00010 TO .00020 COPPER STRIKE PER MIL-C-14550.
2. CONTACT = GOLD PLATE PER MIL-G-45204, TYPE II, CLASS 1, GRADE C, OVER .00010 TO .00020 STRESS FREE SULFAMATE NICKEL PER QQ-N-290.

UNLESS OTHERWISE SPECIFIED DIMENSIONS ARE IN INCHES TOLERANCES ON		DWN. A D.M.	DATE 05/11/01	 APPLIED ENGINEERING PRODUCTS 104 John W. Murphy Dr. New Haven, CT 06513
		CHKD: D.N.	DATE 05/14/01	
DECIMAL	ANGLE	APVD: D.J.C.	DATE 05/14/01	SMB STRAIGHT MALE JACK EDGEMOUNT RECEPTACLE
REFERENCE:	MATERIALS & FINISHES: SEE NOTES	SIZE A	FSCM NO. 19505	
ORIGINATOR: D.N. DATE: 08/07/90			SCALE 8:1	REV B
				SHEET 1 OF 1

2009-1511-023