

## Device connector, rear mounting - RC-19P1N12H000 - 1602608

Please be informed that the data shown in this PDF Document is generated from our Online Catalog. Please find the complete data in the user's documentation. Our General Terms of Use for Downloads are valid (<http://phoenixcontact.com/download>)




Device connector for rear wall, straight, shielded: yes, Screw locking, M23, No. of pos.: 16+3, type of contact: Pin, Solder connection, Axial O-ring, Central fastening M25 x 1.5, Panel thickness min.: 0.8 mm, Panel thickness max.: 6.5 mm

The figure shows the 12-pos. product version



### Key Commercial Data

Packing unit	20 pc
GTIN	 4 046356 240611
GTIN	4046356240611

### Technical data

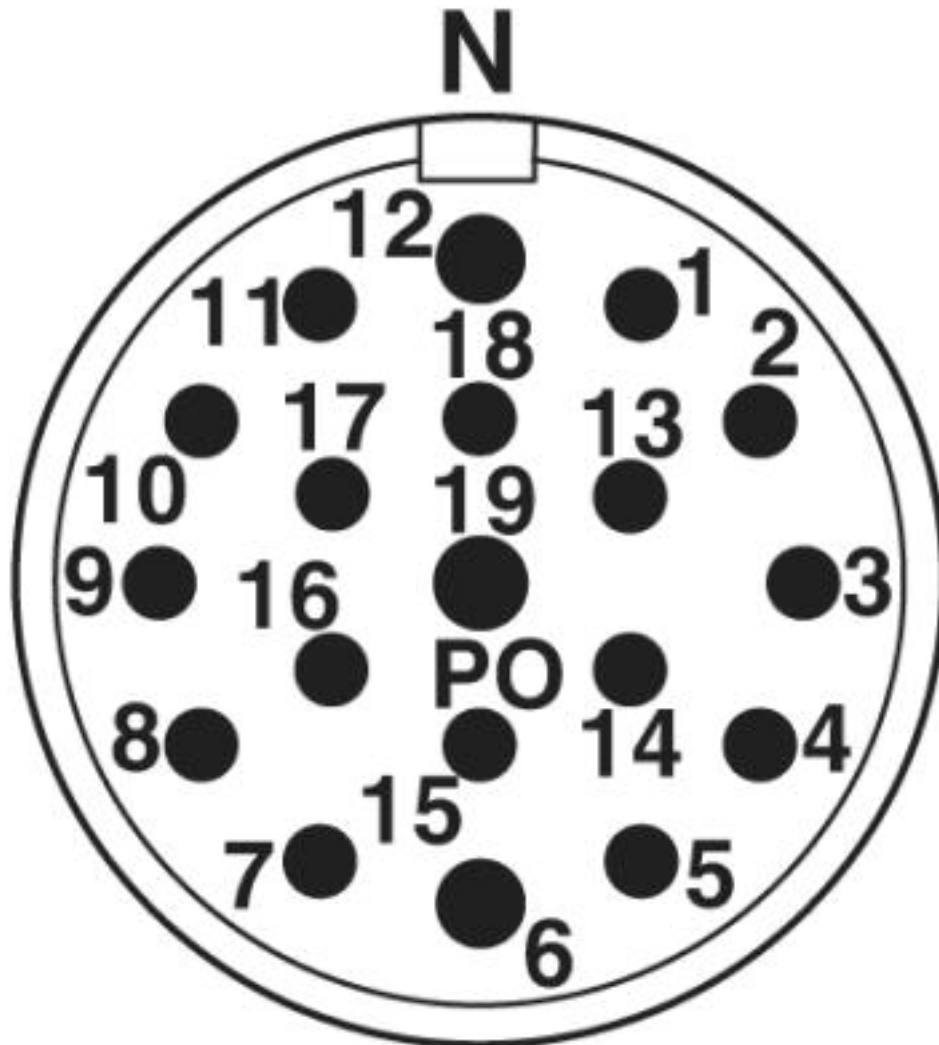
#### Environmental Product Compliance

	Lead 7439-92-1
China RoHS	Environmentally Friendly Use Period = 50
	For details about hazardous substances go to tab "Downloads", Category "Manufacturer's declaration"

### Drawings

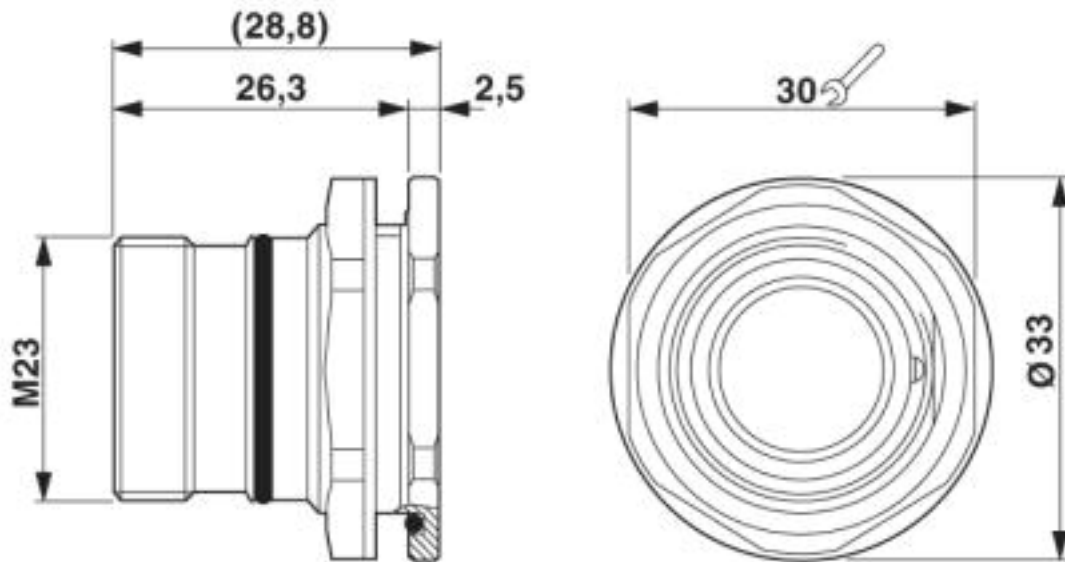
# Device connector, rear mounting - RC-19P1N12H000 - 1602608

Schematic diagram



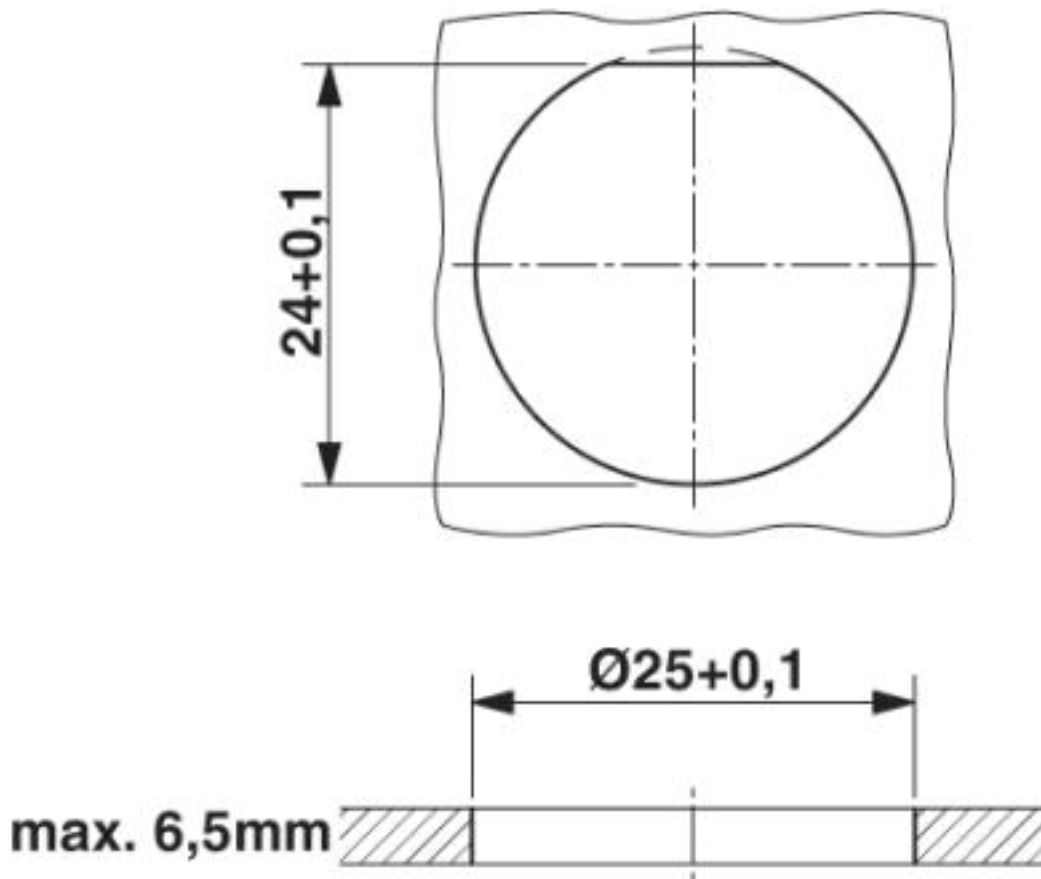
## Device connector, rear mounting - RC-19P1N12H000 - 1602608

Dimensional drawing



# Device connector, rear mounting - RC-19P1N12H000 - 1602608

Dimensional drawing



Installation dimensions

Approvals

Approvals

Approvals

EAC

Ex Approvals

Approval details

EAC

B.01742

---

Phoenix Contact 2019 © - all rights reserved  
<http://www.phoenixcontact.com>

PHOENIX CONTACT GmbH & Co. KG  
Flachsmarktstr. 8  
32825 Blomberg  
Germany  
Tel. +49 5235 300  
Fax +49 5235 3 41200  
<http://www.phoenixcontact.com>