

Flush-type connector - SACC-DSIV-MS-4CON-L180SCOTHRSH - 1439984

Please be informed that the data shown in this PDF Document is generated from our Online Catalog. Please find the complete data in the user's documentation. Our General Terms of Use for Downloads are valid (<http://phoenixcontact.com/download>)



Sensor/actuator flush-type connector, connector, 4-pos., M12 SPEEDCON, shielded, A-coded, rear/screw mounting with M12 thread, with straight THR solder connection



Key Commercial Data

Packing unit	60 pc
GTIN	
GTIN	4046356476669

Technical data

Ambient conditions

Ambient temperature (operation)	-25 °C ... 85 °C (Plug / socket)
Degree of protection	IP67

General

Rated current at 40°C	4 A
Rated voltage	250 V
Number of positions	4
Insulation resistance	≥ 100 MΩ
Coding	A - standard
Status display	No
Overvoltage category	II
Degree of pollution	3
Connection method	THR solder connection
Mounting type	Rear mounting M12 x 1 With flat nut

Material

Flammability rating according to UL 94	V0
--	----

Flush-type connector - SACC-DSIV-MS-4CON-L180SCOTHRSH - 1439984

Technical data

Material

Contact material	CuZn
Contact surface material	Au
Contact carrier material	PPA
Material, knurls	Zinc die-cast, nickel-plated
Sealing material	FKM / EPDM

Standards and Regulations

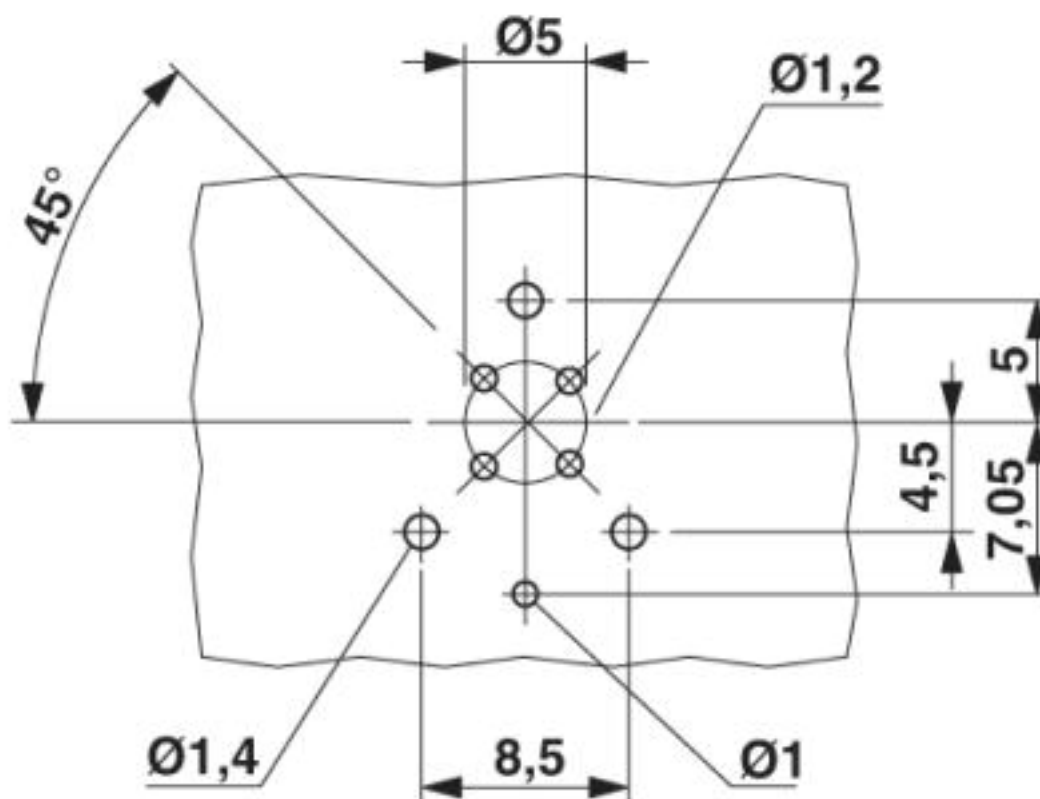
Flammability rating according to UL 94	V0
--	----

Environmental Product Compliance

	Lead 7439-92-1
China RoHS	Environmentally Friendly Use Period = 50
	For details about hazardous substances go to tab "Downloads", Category "Manufacturer's declaration"

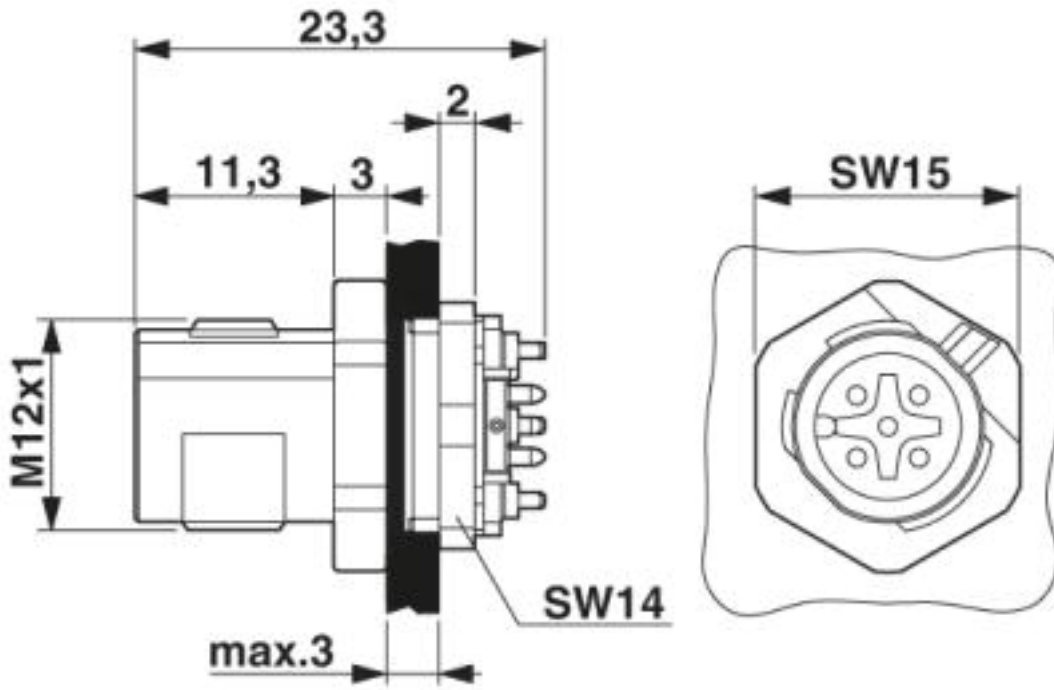
Drawings

Drilling diagram



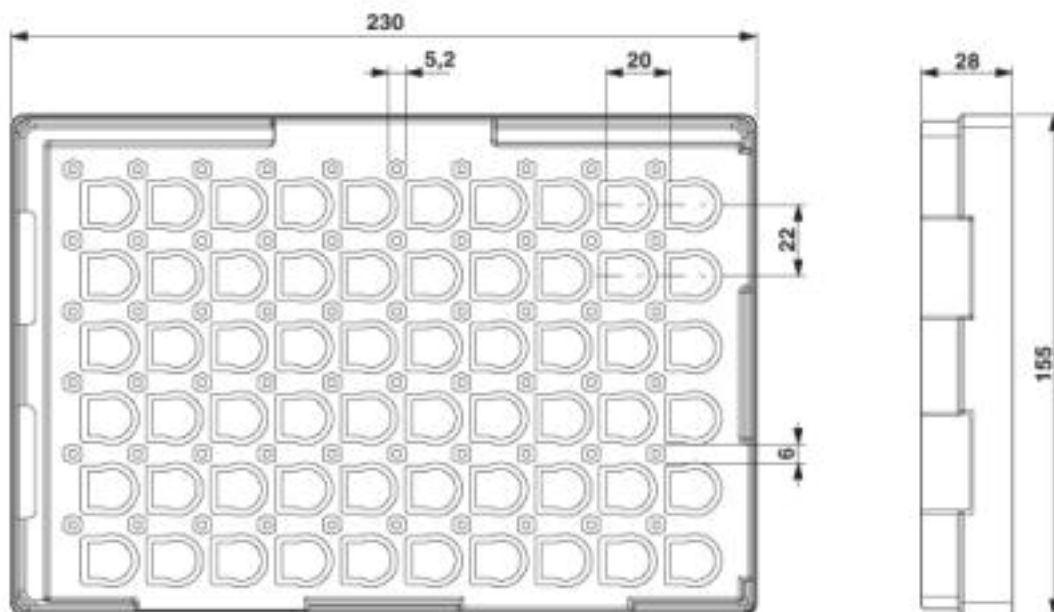
Flush-type connector - SACC-DSIV-MS-4CON-L180SCOTHRSH - 1439984

Dimensional drawing



M12 flush-type connector

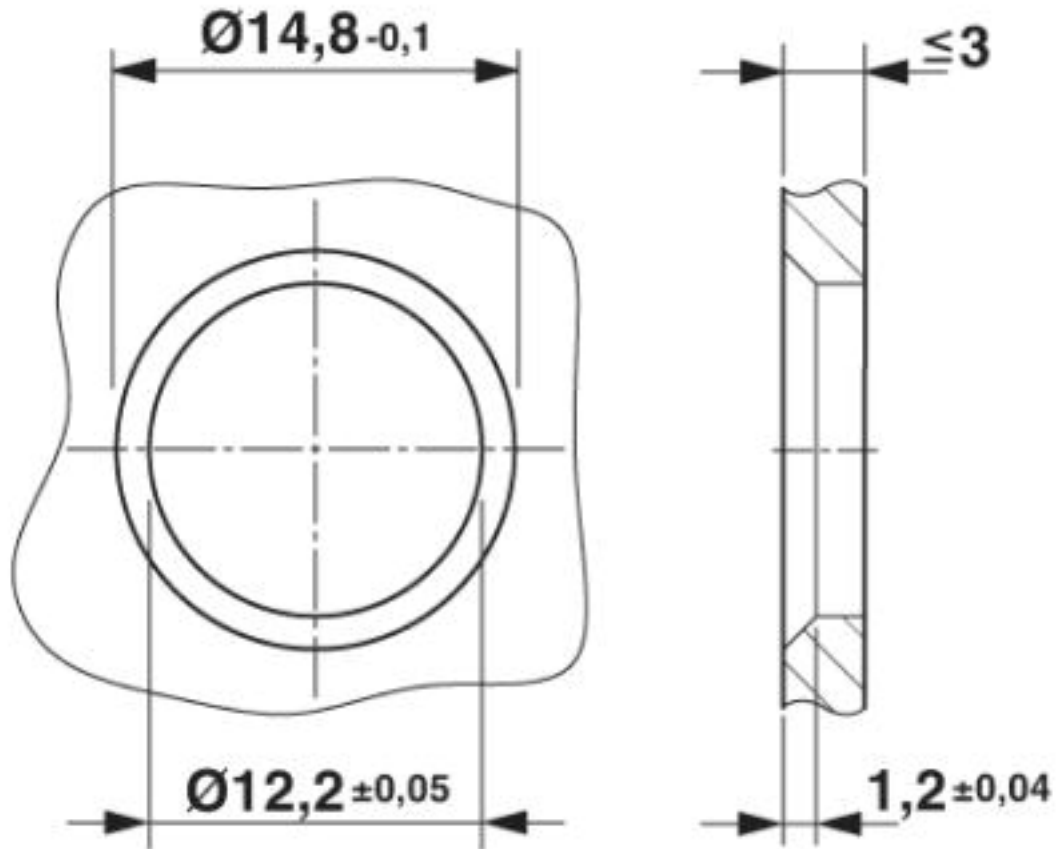
Dimensional drawing



THR tray packaging

Flush-type connector - SACC-DSIV-MS-4CON- L180SCOTHRSH - 1439984

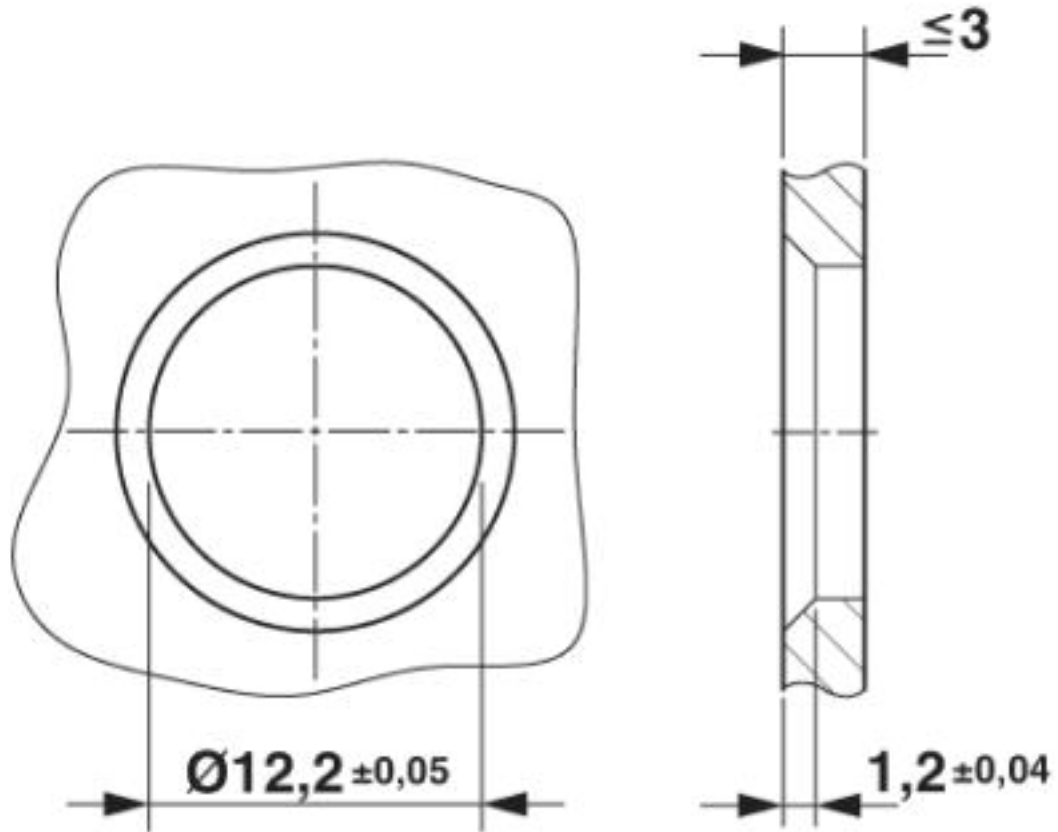
Dimensional drawing



Housing cut-out for two-part M12 flush-type connectors with THR and wave soldering connection, version 1

Flush-type connector - SACC-DSIV-MS-4CON- L180SCOTHRSH - 1439984

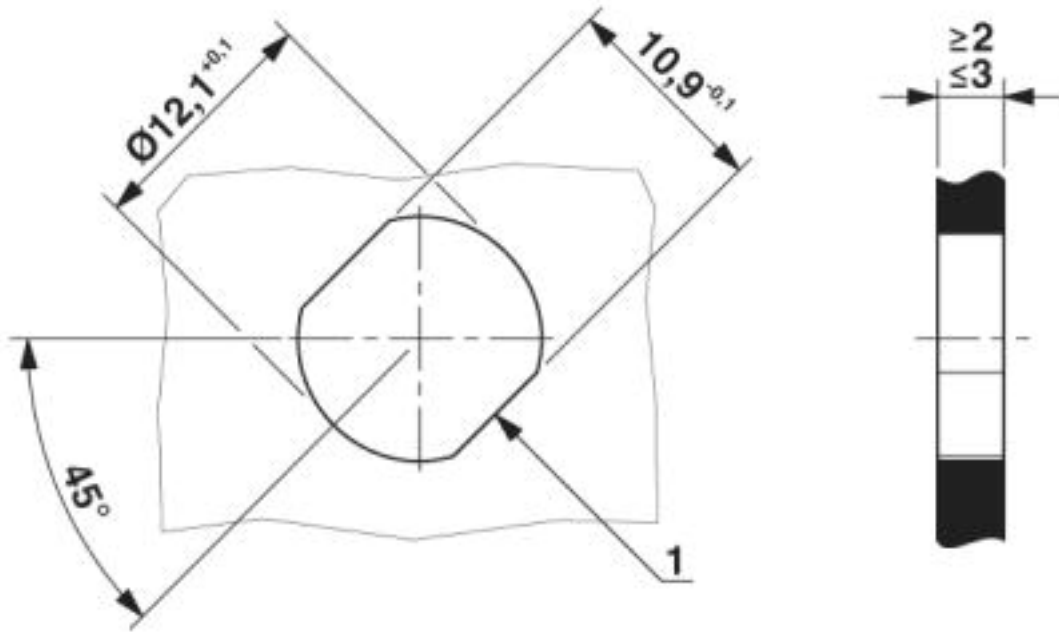
Dimensional drawing



Housing cut-out for two-part M12 flush-type connectors with THR and wave soldering connection, version 2

Flush-type connector - SACC-DSIV-MS-4CON-L180SCOTHRSH - 1439984

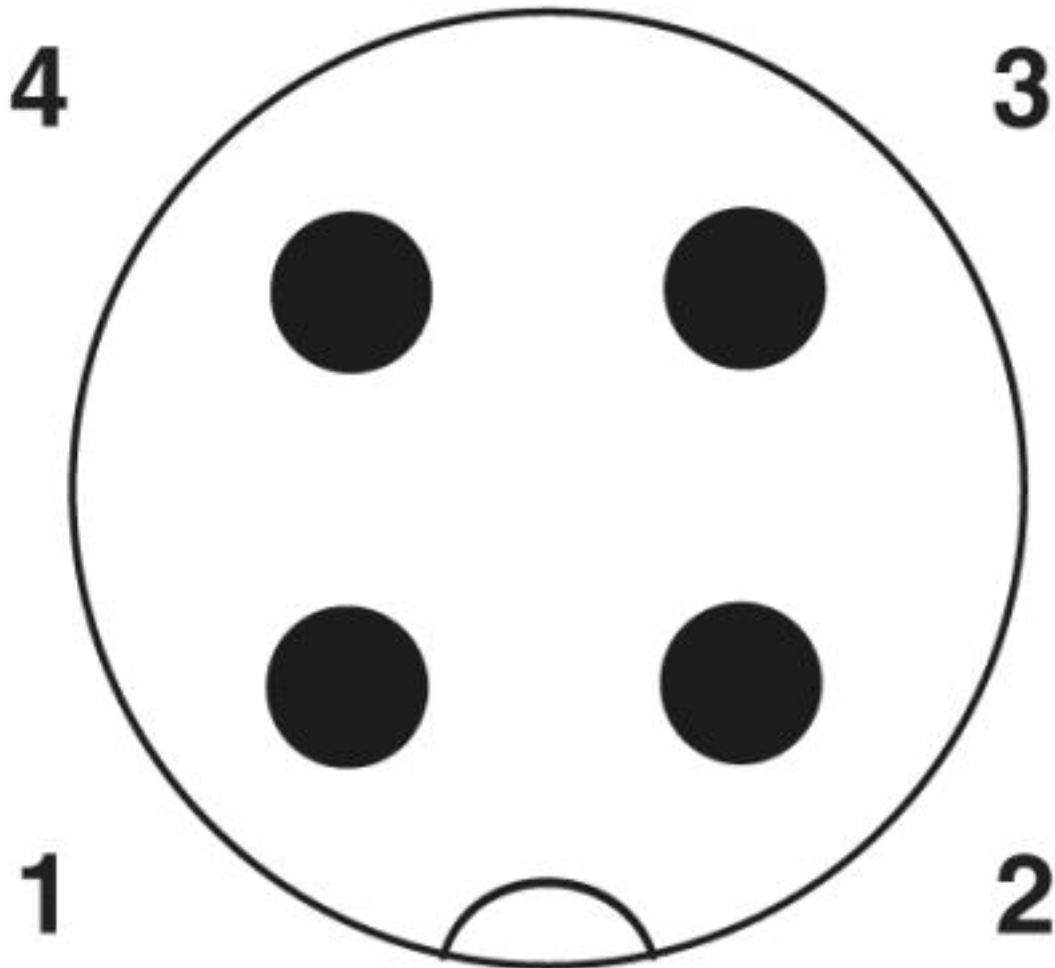
Dimensional drawing



Housing cutout for M12 fastening thread, mounting panel with feed-through hole (alternative with surface as protection against rotation)

Flush-type connector - SACC-DSIV-MS-4CON-L180SCOTHRSH - 1439984

Schematic diagram



Pin assignment M12 plug, 4-pos., A-coded, view plug side

Approvals

Approvals

Approvals

EAC

Ex Approvals

Approval details

Flush-type connector - SACC-DSIV-MS-4CON- L180SCOTHRSH - 1439984

Approvals

EAC		B.01742
-----	---	---------

Phoenix Contact 2019 © - all rights reserved
<http://www.phoenixcontact.com>

PHOENIX CONTACT GmbH & Co. KG
Flachsmarktstr. 8
32825 Blomberg
Germany
Tel. +49 5235 300
Fax +49 5235 3 41200
<http://www.phoenixcontact.com>