

PART NUMBER	ENG. NO	FINISHED LENGTH
1300240214	DND10A-M005	1FT 8IN [0.5M]
1300240215	DND10A-M010	3FT 3IN [1.0M]
1300240223	DND10A-M100	32FT 10IN [10.0M]

(B) CABLE LENGTH TOLERANCES

<.3M [1FT]: +19mm-0 [+.75in-0]

.3 - .9M [1 - 3FT]: +44.5mm-0 [+1.75in-0]

.9 - 1.8M [3 - 6FT]: +55.6mm-0 [+2.19in-0]

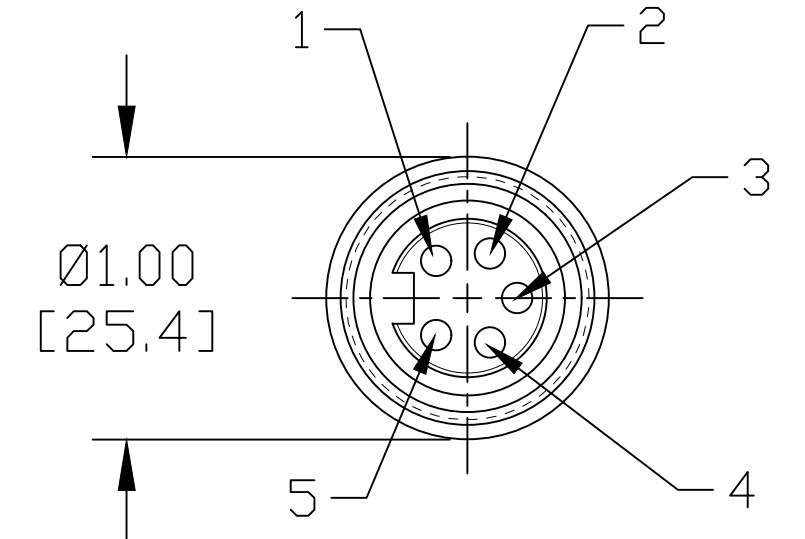
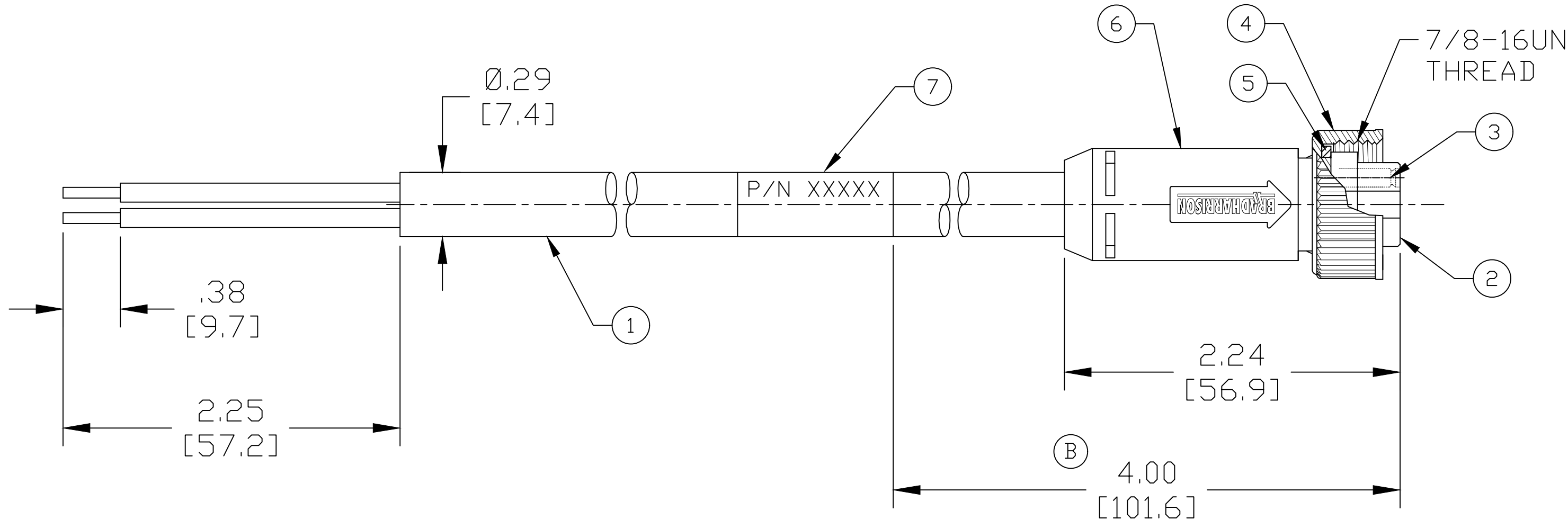
1.8 - 3.7M [6 - 12FT]: +88.9mm-0 [+3.50in-0]

3.7 - 7.3M [12 - 24FT]: +165.1mm-0 [+6.50in-0]

7.3-14.6M [24 - 48FT]: +317.5mm-0 [+12.50in-0]

14.6 - 30.5M [48-100FT]: +622.3mm-0 [+24.50in-0]

OVER 30M [100FT] +2% OF FINISHED LENGTH



FEMALE FACE VIEW

WIRING DIAGRAM

1	DRAIN
2	RED
3	BLACK
4	WHITE
5	BLUE

- NOTES:
- MATERIAL: AS NOTED
 - FINISH: AS NOTED
 - ELECTRICAL:
VOLTAGE: 300V PER IEC 60664 (B)
300V PER UL 2238
CURRENT: 4A
 - TEMP RATING: -20°C TO +80°C
 - PROTECTION: IP67 (WHEN MATED)
 - COUPLING THREAD: AS NOTED
 - UL RECOGNIZED FILE: E152210
CSA RECOGNIZED FILE: LR6837
 - ALL DIMS ARE FOR REFERENCE UNLESS TOLERANCED OR NOTED OTHERWISE

PART NO. LEGEND

DND10A-M010

CABLE TYPE DEVICE-NET

FINISHED LENGTH
M005----0.5 Meter
M010----1 Meter
M100----10 Meter

ITEM	DESCRIPTION	MATERIAL	FINISH
7	WRAP LABEL	VINYL	BLACK/YELLOW
6	OVERMOLD	TPE (B)	GRAY
5	FRICTION RING	NYLON	WHITE
4	COUPLING NUT, INT. THD	ZINC DIE-CAST	BLACK E-COAT
3	CONTACT SOCKET	COPPER ALLOY	GOLD PLATED
2	FEMALE INSERT	TPE (B)	BLACK (B)
1	CABLE, 22AWG DEV-NET DROP	PVC JACKET	GRAY

THIS DRAWING CONTAINS INFORMATION THAT IS PROPRIETARY TO MOLEX ELECTRONIC TECHNOLOGIES, LLC AND SHOULD NOT BE USED WITHOUT WRITTEN PERMISSION

FUNCTIONAL SYMBOLS	DIMENSION UNITS	SCALE	CURRENT REV DESC: REV NOTES, LABEL DIM WAS 12/14 IN, O-MOLD WAS PVC, INSERT WAS PVC GRAY ADD CABLE LENGTH TOL, UPDATE BORDER
FA=0	INCH/MM	NTS	
EC=0	GENERAL TOLERANCES (UNLESS SPECIFIED)		
EP=0		mm	INCH
DIVISIONAL SYMBOLS	4 PLACES	±----	±----
	3 PLACES	±----	±----
	2 PLACES	±----	±----
	1 PLACE	±----	±----
	0 PLACES	±----	±----
	ANGULAR TOL ± ---- °		
	DRAFT WHERE APPLICABLE MUST REMAIN WITHIN DIMENSIONS		
	THIRD ANGLE PROJECTION	DRAWING	SERIES
		C-SIZE	130024
	EC NO: 688872		DRWN: RSTONE 2021/12/14
	CHK'D: ALEON01		2021/12/15
	APPR: BWOODMAN		2021/12/15
	INITIAL REVISION:		
	DRWN: E BRACKEN		2013/09/12
	APPR: BWOODMAN		2013/10/07
	DOCUMENT NUMBER	DOC TYPE/DOC PART	REVISION
	SD-130024-018	PSD 001	B
	MATERIAL NUMBER	CUSTOMER	SHEET NUMBER
	SEE P/N LEGEND	GENERAL MARKET	1 OF 1