

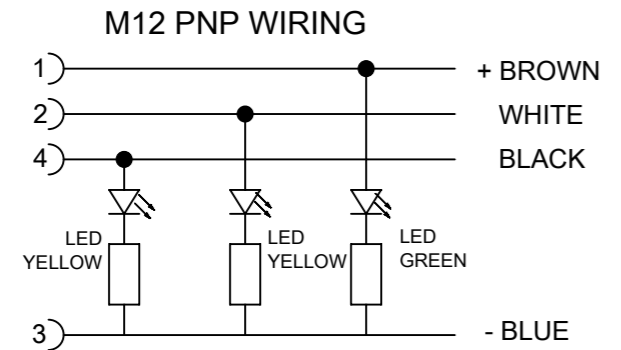
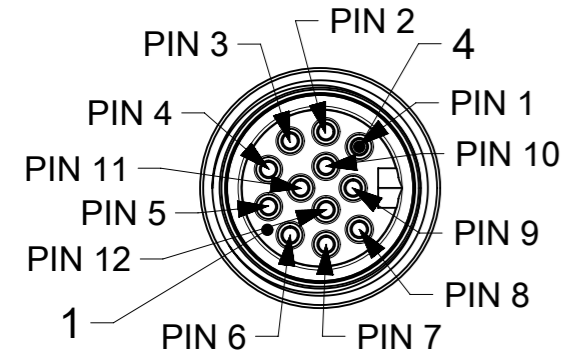
CUSTOMER PRODUCT APPROVAL
 APPROVED BY: _____
 DATE: _____
 MUST BE SIGNED AND RETURNED BEFORE PRODUCTION WILL BEGIN

Mini Change 12P MALE

| | |
|----|------------|
| 12 | N/U |
| 11 | BLUE 0.75 |
| 10 | BROWN 0.75 |
| 9 | N/U |
| 8 | VIOLET |
| 7 | BLACK |
| 6 | RED |
| 5 | PINK |
| 4 | GREY |
| 3 | YELLOW |
| 2 | GREEN |
| 1 | WHITE |

| M12 4P FE PORT 4 | | | |
|------------------|-------|------|-------|
| 1 | 2 | 3 | 4 |
| BROWN | WHITE | BLUE | BLACK |

| M12 4P FE PORT 3 | | | |
|------------------|-------|------|-------|
| 1 | 2 | 3 | 4 |
| BROWN | WHITE | BLUE | BLACK |



| M12 4P FE PORT 1 | | | |
|------------------|-------|------|-------|
| 1 | 2 | 3 | 4 |
| BROWN | WHITE | BLUE | BLACK |

| M12 4P FE PORT 2 | | | |
|------------------|-------|------|-------|
| 1 | 2 | 3 | 4 |
| BROWN | WHITE | BLUE | BLACK |

BILL OF MATERIALS

| ITEM | QTY. | DESCRIPTION | MATERIAL | FINISH |
|------|------|--|-----------------|------------------|
| 16 | - | MOULDING MATERIAL TRANSPARENT | TPU | - |
| 15 | 4 | LED PNP PCB | - | - |
| 14 | 4 | INSERT M12 4P FE BLACK | PUR | - |
| 13 | 16 | CONTACT M12 FEMALE | Brass | Gold over Nickel |
| 12 | 4 | NUT M12 FEMALE | Brass | Nickel |
| 11 | 4 | GASKET RED | FPM | - |
| 10 | - | CABLE 4x0.34mm ² BLACK OD=5.1mm | TPU | - |
| 9 | 4 | MARKING LABEL WHITE | - | - |
| 8 | - | HOTMELT | PA | - |
| 7 | - | MOULDING MATERIAL BLACK | PUR | - |
| 6 | - | CABLE 3x19AWG+8x22AWG BLACK OD=8.5mm | TPU | - |
| 5 | 1 | WRAP LABEL YELLOW | Vinyl | - |
| 4 | 12 | CONTACT MC MALE | Brass | Gold over Nickel |
| 3 | - | MOULDING MATERIAL YELLOW | TPE | - |
| 2 | 1 | NUT MC MALE | Electrophoretic | - |
| 1 | 1 | INSERT MC 12P MALE YELLOW | TPE | - |
| ITEM | QTY. | DESCRIPTION | MATERIAL | FINISH |

Notes:
 1. Label printing:
 MOLEX PN
 ORDER PN
 DATE (According to WN-00001) / DOC REVISION
 PNP VERSION
 2. Orientation between coding and splitter-box only schematic

Technical Data:
 Voltage: 10-30V
 Current max: 4A
 Operating Temperature: -25°C / +80°C
 Protection: IP67

| | | | | | | |
|---|---|------------------|---|-----------------------------|---|----------------------|
| SYMBOLS THIS DRAWING CONTAINS INFORMATION THAT IS PROPRIETARY TO MOLEX ELECTRONIC TECHNOLOGIES, LLC AND SHOULD NOT BE USED WITHOUT WRITTEN PERMISSION DIMENSION UNITS: mm SCALE: 1:1 GENERAL TOLERANCES (UNLESS SPECIFIED): ANGULAR TOL: ± ° 4 PLACES: ± 3 PLACES: ± 2 PLACES: ± 0.05 1 PLACE: ± 0.1 0 PLACES: ± DRAFT WHERE APPLICABLE MUST REMAIN WITHIN DIMENSIONS | CURRENT REV DESC: EC NO: 653724 DRWN: APAWLAK01 2020/12/04 CHK'D: RSILLER 2021/01/25 APPR: RSILLER 2021/01/25 | | MINI SPLITTER M12 4P FE LED/12P MA IP67 | | | |
| | INITIAL REVISION: DRWN: APAWLAK01 2020/04/06 APPR: RSILLER 2020/08/06 | | | | PRODUCT CUSTOMER DRAWING DOCUMENT NUMBER: 1210950103 DOC TYPE: PSD DOC PART: 000 REVISION: B1 | |
| THIRD ANGLE PROJECTION | | DRAWING: A3-SIZE | SERIES: 121095 | MATERIAL NUMBER: 1210950103 | CUSTOMER: GENERAL MARKET | SHEET NUMBER: 1 OF 1 |