

**CABLE SPECIFICATION : 16 CORE CABLE**

LCABLE TYPE: FLAT  RIBBON  ROUND  OTHER   
 SPIRAL CABLE YES  NO   
 NO. OF CONDUCTORS 16

3. CABLE REQUIREMENTS : N/A

3. CONDUCTOR SPECIFICATIONS :

CONDUCTOR	CONDUCTOR NO.	
	1 - 4	5 - 16
CENTRE		
OUTSIDE		
MATERIAL	TINNED CU	TINNED CU
A.B.C.	30	30
STRANDING QTY/GAUGE	1/30	1/30
TENSILE STRENGTH	N/A	N/A
INSULATION :		
MATERIAL	PVC	PVC
MIN. WALL THICKNESS	0,22 REF	0,20 REF
CO. DUT.	AS SPECIFIED IN DW 47000	
OUTSIDE DIAMETER	LOW REF	0,80 REF
DIRECTION OF LAY	Z	S
LENGTH OF LAY	65,0 REF	
UL-RATING	UL - 2464	

4. FILLER : ENOUGH TO MAKE THE ASSEMBLY ROUND

5. SEPARATOR : POLYESTER FILM

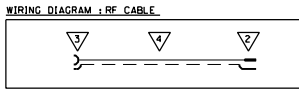
6. SHELVE : POL. TYPE N/A  
FOIL FACING N/A

7. DRAIN WIRE : GAUGE 26 AWG  
STRANDING REQUIREMENT DRAIN TO BE ON THE OUTSIDE OF THE SEPARATOR

8. SPIRAL/BRAID : GAUGE 24 x 8 x 0,1  
COPPER TYPE TINNED CU  
COVERAGE 80 %

9. CABLE JACKET : TYPE PVC  
FINAL DIAMETER 0,8 REF  
MIN. THICKNESS BLACK  
COLOUR BLACK  
FINISH MALT  
UL-RATING UL - 2464  
HARDNESS  
STRIPPABILITY  
MARKINGS "24851-21303-A101-1 YEAR / MONTH M21" PRINTED IN WHITE

10. PACKAGING : PACKAGING SEE PACKAGING SPECIFICATION ESTABLISHED BY LOCAL PURCHASING AND MANUFACTURING DEPARTMENTS.

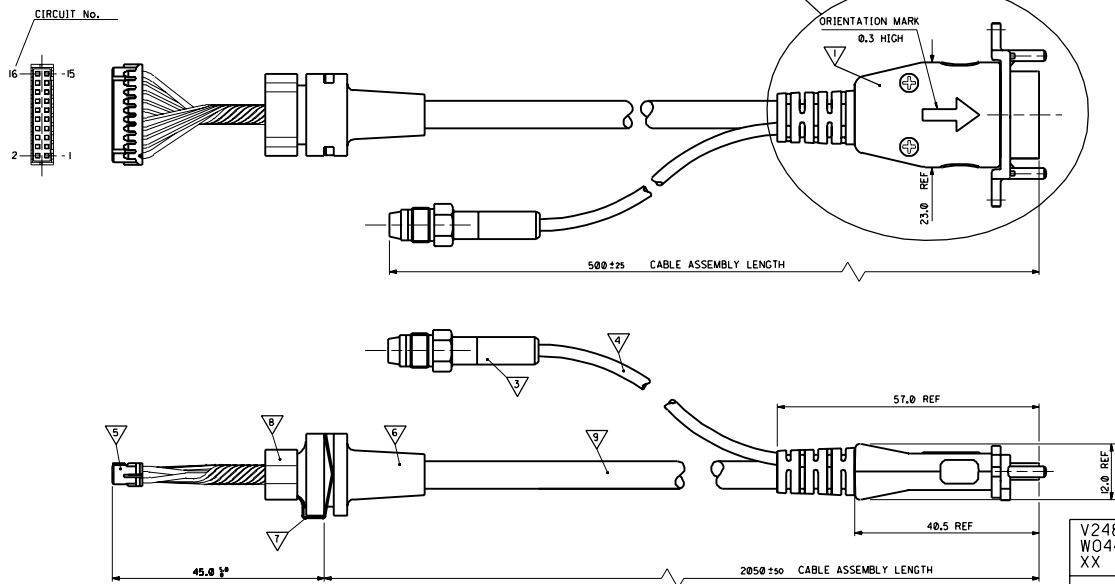


**BILL OF MATERIALS**

NO.	QUANTITY	SUPPLIER	DESCRIPTION	PART No.	SEE NOTE
1	1	MOLEX	16 CIRCUIT 1/0 MOBILE PHONE CRADLE CONNECTOR	90812-0001	1, 2, 3
2	1	MOLEX	COAXIAL RF CONNECTOR	90853-0001	5
3	1	ROSENBERGER	COAXIAL RF CONNECTOR	26K101-102	5
4	1	NO PREFERRED SUPPLIERS	COAXIAL CABLE 50 OHM	RG 174 A/U	5
5	1/2	JST	16 CIRCUIT CONNECTOR CRIMP TERMINAL 30 AWG CRIMP TERMINAL 22 AWG	PHDR-16VS SPHD-0031-PO.5 SPHD-0011-PO.5	3, 5
6	1	HELLERMANN	CABLE SUPPORT SLEEVE PVC BLACK	634-01210 (H12 D)	5
7	1	GRIES	CONTACT	C24158-A37 -C4-1	5
8	1	SAHLBERG	CLAMP	9-11	5
9	1	MOLEX	16 CORE CABLE SEE CABLE SPECIFICATION	99036-0001	5
10	10	NO PREFERRED SUPPLIERS	1/6 BORE HEAT SHRINK INSULATION TUBING	90848-0005	4, 5
11	1	MOLEX	MOLDED ON GROMMET		5, 6
12	1	NO PREFERRED SUPPLIERS	CRIMP RING	98875-0001	5
13	1	NO PREFERRED SUPPLIERS	HEAT SHRINK TUBING	90848-0007	4, 5

**NOTES:**

- MATES WITH 90811 SERIES HANDSET CONNECTOR
- SEE PRODUCT SPECIFICATION No. PS-99020-0033
- POWER CONTACTS TO BE ON CIRCUITS 1,2,15 & 16.
- CABLE CONDUCTORS 1,2,3,6,8,10,11,12,13,15 & RF TO BE COVERED WITH HEAT SHRINK TUBING.
- ONLY AVAILABLE FROM MOLEX AS PART OF A CABLE ASSEMBLY.
- SEE GROMMET SPECIFICATION ES-99038-0001
- PACKAGING : SEE PACKAGING SPECIFICATION ES-99039-0002, LABELLED AS SHOWN YEAR AND MONTH 'XX', TO BE PRINTED ACCORDING TO IEC 62 INDEX 5.1.
- SEE TERMINATION SPECIFICATION ES-99033-0003.



V24851-Z1303-A101-1  
 W0447  
 XX MXI  
 MOLEX 90812-1001

FOR PREVIOUS DRAWING ISSUES SEE MRL.

DATE OF APPROVAL: 11/11/11  
 DRAWN BY: [ ]  
 CHECKED BY: [ ]  
 APPROVED BY: [ ]  
 SCALE: 2:1

REVISIONS ONLY ON CAD SYSTEM

MOLEX EUROPE  
 SYSTEM CONNECTOR CRADLE ASSEMBLY  
 SHEET NO. DATE: 10F 11/93/10/23  
 PART NO. 90812-1001  
 SDA-90812-1001