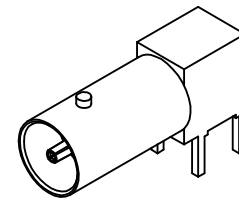


MATERIALS AND FINISHES

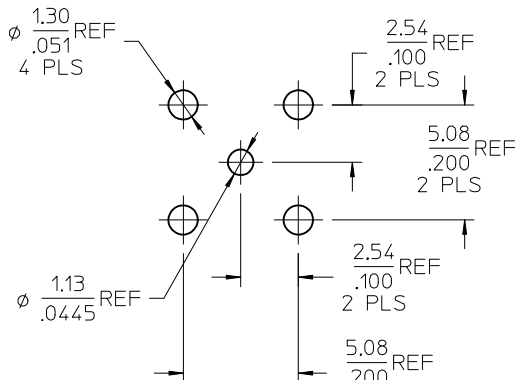
BODY BRASS
PLATED SEE TABLE

CENTER CONTACT BERYLLIUM COPPER
PLATED GOLD

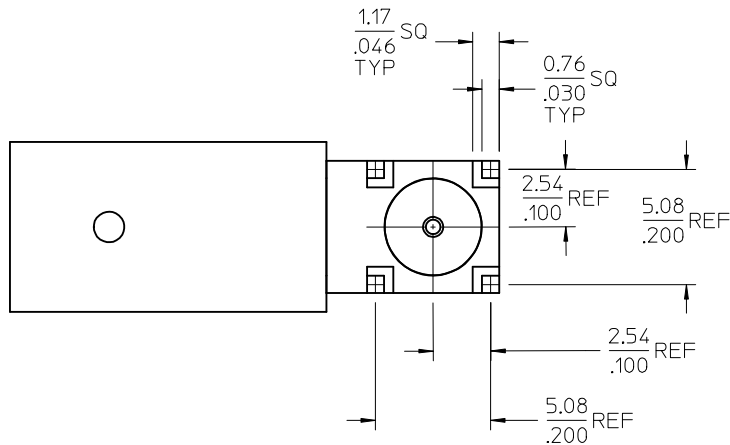
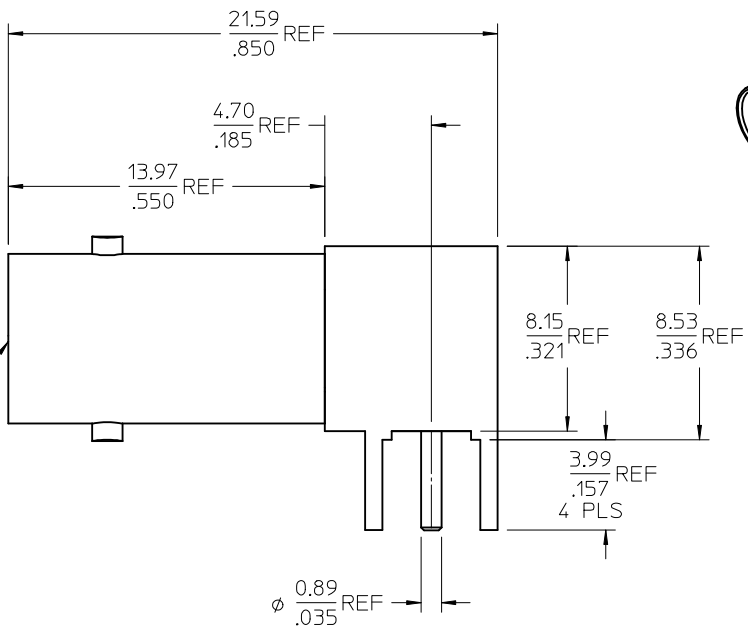
INSULATOR TEFLON



MINI BNC JACK
INTERFACE



RECOMMENDED PCB
LAYOUT



73171-2682	73171-2680, ONE PER BAG
73171-2681	GOLD/TRAY
73171-2680	NICKEL/TRAY
PART NO.	PLATING/PACKAGING

CHG: CORRECTED
73171-2680/81
TRAY WAS BULK
PER RF15-E327
IEC NO: URF2016-0218
IDRWIN:WE102 2015/09/16
CHKD:
APPR: YCHENG 2015/09/18

QUALITY SYMBOLS

 DESCRIPTION
 REVISION
 A3

GENERAL TOLERANCES (UNLESS SPECIFIED)

	mm	INCH
4 PLACES	± .005	± .0002
3 PLACES	± .005	± .0002
2 PLACES	± .005	± .0002
1 PLACE	± .005	± .0002

ANGULAR ± 2°

DRAFT WHERE APPLICABLE
MUST REMAIN
WITHIN DIMENSIONS

DIMENSION STYLE
MM/IN

DRAWN BY	DATE
SSS	2005/10/06
CHECKED BY	DATE
TEF	2005/10/06
APPROVED BY	DATE
JDW	2005/10/06

MATERIAL NO.
SEE TABLE

SIZE
C

SCALE
DESIGN UNITS
METRIC

THIRD ANGLE PROJECTION

TITLE
MINI BNC JACK, R/A
PCB, 75 OHMS, EWR-2924
MINI BNC-J/RA/PCB

MOLEX INCORPORATED

DOCUMENT NO.
SD-73171-268

SHEET NO.
1 OF 1

THIS DRAWING CONTAINS INFORMATION THAT IS PROPRIETARY TO MOLEX INCORPORATED AND SHOULD NOT BE USED WITHOUT WRITTEN PERMISSION