

NOTES:

1) MATERIALS:

HOUSING: GLASS FILLED LCP (LIQUID CRYSTAL POLYMER),
UL 94V-0, COLOR: BLACK.
TAIL ALIGNER: GLASS FILLED, LCP (LIQUID CRYSTAL POLYMER)
UL 94V-0, COLOR: BLACK.
MOLDED STICK: GLASS FILLED LCP (LIQUID CRYSTAL POLYMER)
UL 94V-0, COLOR: BLACK.
MALE CONTACT: PHOS. BRONZE .012±.0005 THICK.
OUTER SHELL: LOW CARBON STEEL.
THREADED INSERT: BRASS.

2) PLATING :

TERMINAL: .000030/(0.00076) MINIMUM GOLD IN SELECTIVE AREA;
.000100/(0.00254) TIN IN SELECTIVE AREA;
OVER NICKEL UNDERPLATE OVERALL.

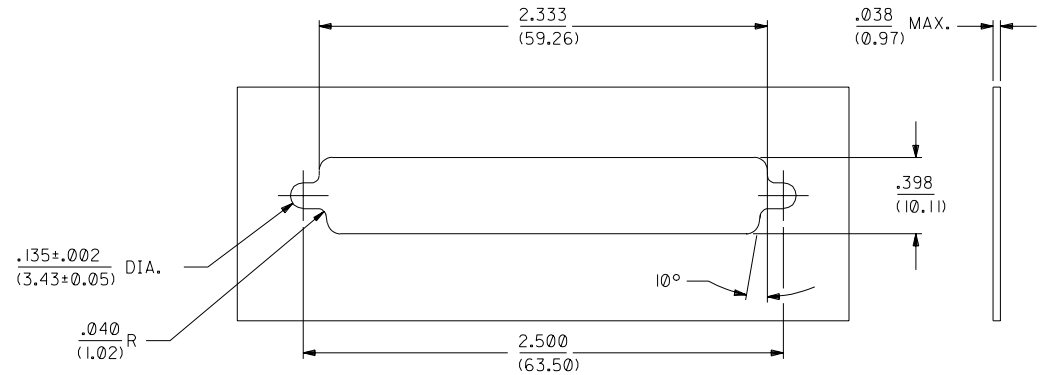
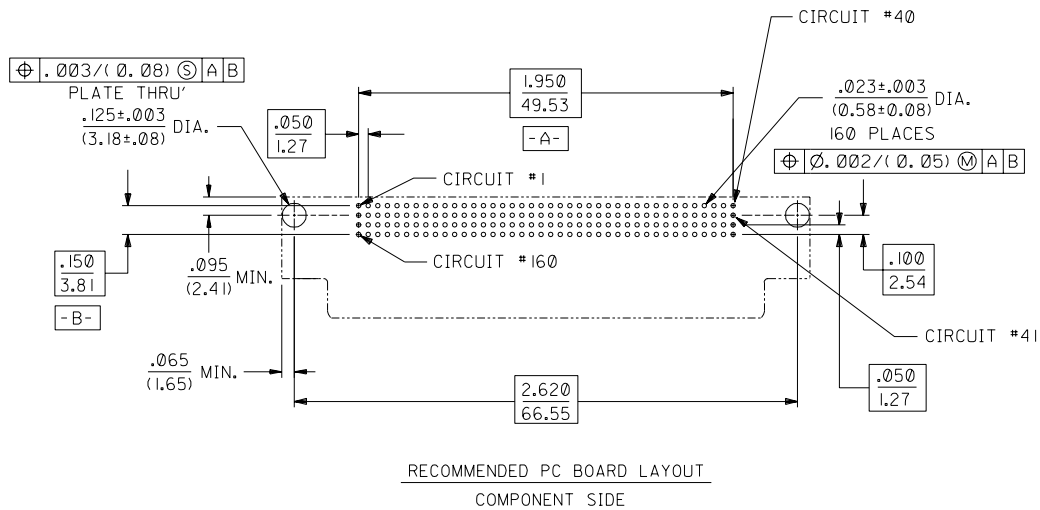
OUTER SHELL: .000150/(0.00381) MINIMUM TIN OVER
.000050/(0.00127) MINIMUM NICKEL OVER
COPPER FLASH (OPTIONAL).

3) THIS PART CONFORMS TO MOLEX PRODUCT SPECIFICATION PS-71626.

4) PACKAGING SPECIFICATION PK-70873-0224 APPLIES.

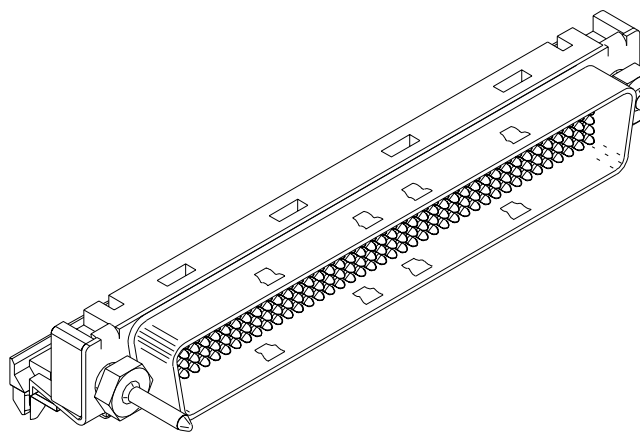
NOTE FOR LEAD FREE CONVERSION:

THE PRIMARY SHIPPING CARTON WILL BE
LABELED "COMPLIANT TO RoHS DIRECTIVE
2002/95/EC AND ELV ANNEX II OF
DIRECTIVE 2000/53/EC". CARTONS
WITHOUT THIS LABEL MAY CONTAIN
PRODUCT WITH LEAD.



PANEL CUT-OUT DIMENSIONS
ALL TOLERANCES ±.003/(0.08)
UNLESS OTHERWISE STATED.

FOR OPTIONAL HARDWARE DETAILS
SEE SDA-71628-*****



M		SEE SHEET I	DIMENSIONS SHOWN (METRIC) INCH		▽ = 0 ▼ = 0 REVISE ONLY ON CAD SYSTEM	
K		SEE SHEET I	UNLESS OTHERWISE SPECIFIED TOLERANCES: ANGULAR ± 1/2°		TITLE	
J		SEE SHEET I	3 PLACE ± .010 ---		.050" Pitch LFH 160 Ckt. Right Angle I/O Male Sales Assembly	
LTR.		REVISIONS	2 PLACE ± --- ± ---		MOLEX INCORPORATED SHEET NO. DATE LITSE,ILL. 60532 U.S.A. 2 9/12/91	
LTR.		REVISIONS	1 PLACE --- ± ---		PART NO. DRWG. NO. SEE SHEET I SDA-71624-200*	
LTR.		REVISIONS	DRAFT WHERE APPLICABLE MUST REMAIN WITHIN DIMENSIONS		FILE NAME DIV. SIZE 57162422 001 THIS DRAWING CONTAINS INFORMATION THAT IS PROPRIETARY TO MOLEX INC. AND SHOULD NOT BE USED WITHOUT WRITTEN PERMISSION. CD C	
LTR.		REVISIONS	DRWG. BY CAB CHK'D BY BIXLER		SCALE 2: 1	
LTR.		REVISIONS	APP'D BY CAB		SCALE 2: 1	