

**MATERIAL :**

Housing : Zinc alloy nickel plated  
 Insert : PA 66 UL94 V0  
 Mating gasket : sealing IP67:Nitril  
 sealing IP68:Silicone  
 O'ring : nitril  
 Interfacial gasket (female connector only): thermoplastic elastomer

**PERFORMANCE CHARACTERISTICS :**

Operating temperature : -40°C up to 105°C  
 Insulation resistance : 5000 MΩ min  
 Withstanding voltage: 1500Vrms  
 Corrosion salt spray : 96 hours  
 Durability : 500 matings and unmatings  
 Sealing IP67 / IP68 3 bar/30min as per IEC60529  
 Sealing IP69K as per DIN40050  
 ROHS compliant

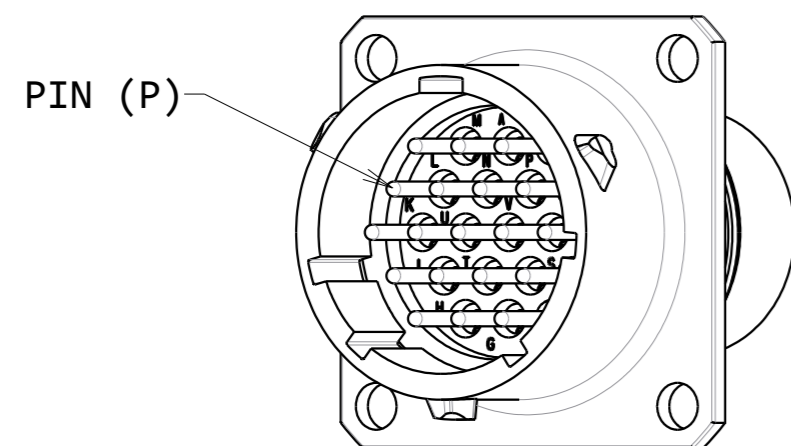
**NOTES :**

- 1-Contact identification and orientation of connector, refer to:  
 UT0-CONTACT-L-C01 (Male)  
 UT0-CONTACT-L-C02 (Female)
- 2-Connector blocks accept size #20 male or female contacts  
 (strip formed, machined crimp and spill)
- 3-Contact to be ordered separately refer to : UT0 catalog
- 4-Dimension ØP for front panel mounting (see to panel cut out)
- 5-Dimension ØR for rear panel mounting (see to panel cut out)
- 6-To achieved Sealing condition : Add UTFD-- Sealing Gasket
- 7-This drawing covers p/n termination : -H / -H6 / -H05 / -H605
- 8-packaging: connector is individually packed in a plastic bag

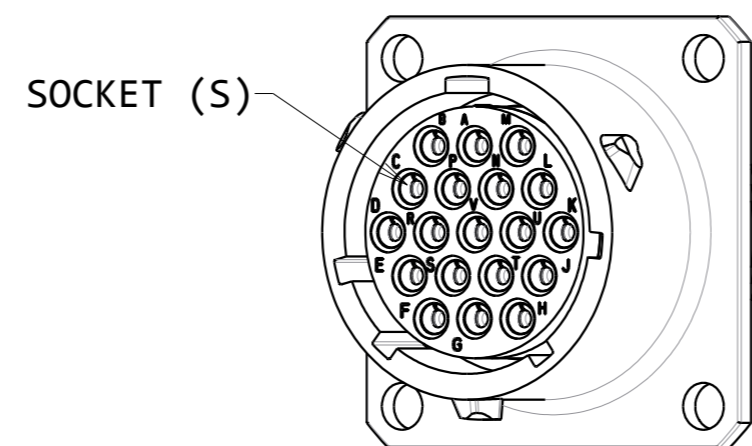
Part Number (Note 8)	Thread (for information)	A ±0.3	B ±0.2	C Max		D ±0.2	E ±0.35	F ±0.15	G ±0.2
				Male	Female				
UT0W0106--H-	9/16-24 UNEF Class 2A	23.85	18.26	33.30	25,00	11.35	1.60	3.10	7.50
UT0W01210--H-	11/16-24 UNEF Class 2A	26.20	20.62						
UT0W01419--H-	13/16-20 UNEF Class 2A	28.60	23.01						
UT0W01626--H-	15/16-20 UNEF Class 2A	31.00	24.61						
UT0W01832--H-	1" 1/16-18 UNEF Class 2A	33.30	26.97	34.75	29.00	14.55	2.40	3.80	
UT0W02041--H-	1" 3/16-18 UNEF Class 2A	36.55	29.36						
UT0W02255--H-	1" 5/16-18 UNEF Class 2A	39.75	31.75						
UT0W02461--H-	1" 7/16-18 UNEF Class 2A	42.87	34.92			15.35			

<b>UT0W0 18 32 P W H6 05</b>
Receptacle UT0W : <i>Type 7</i>
Shell size :
Insert arrangement : <i>See Note 1</i>
Contact : <i>P : Male</i> <i>S : Female</i>
Insert polarisation: <i>No letter : Standard version</i> <i>W, X, Y, Z : Differents orientation</i>
Sealing version : <i>H : IP67 version</i> <i>H6 : IP68 version</i>
Specification : <i>No letter : Standard version</i> <i>05 : O'ring rear on the receptacle</i>

**MALE CONNECTOR**

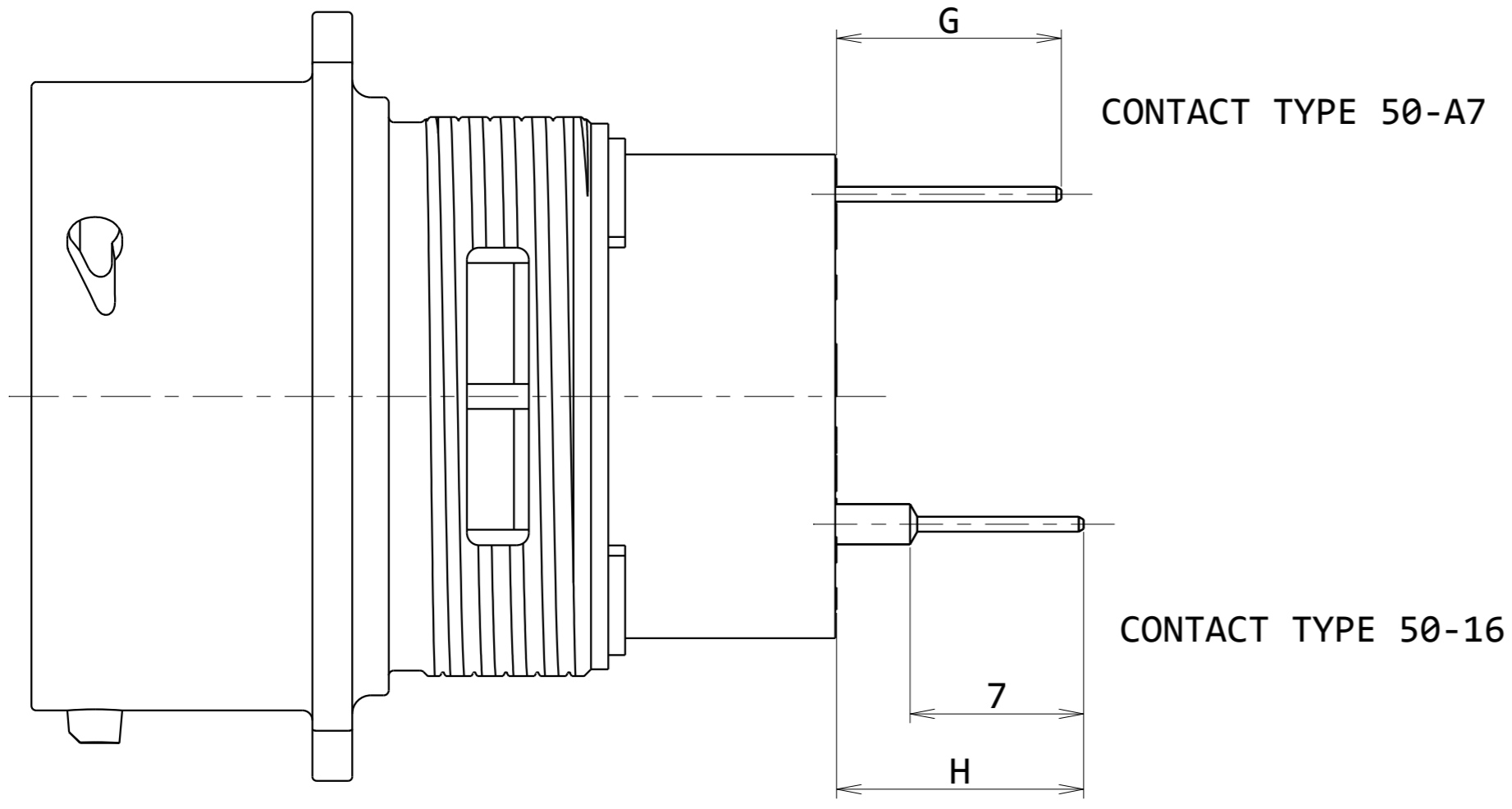


**FEMALE CONNECTOR**

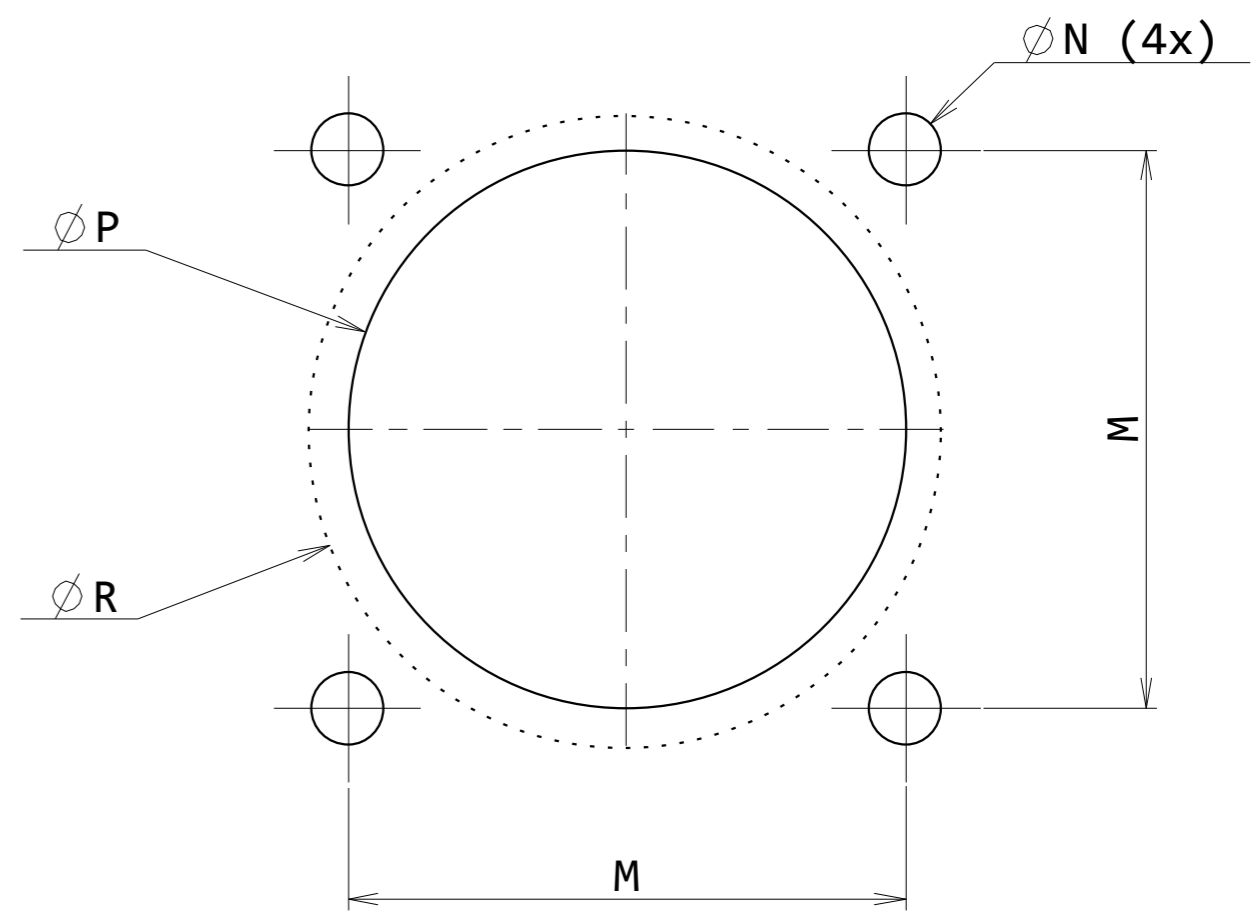


<b>A</b>	18/05/2015	_CREATION OF THE DRAWING		24021
ISS	DATE	Latest modification - by: COUTY L.		MOD N°
Designed by: COUTY L.		Date: 18/05/2015		<b>CUSTOMER DRAWING</b>
<b>TITLE</b>		RECEPTACLE UT0W CONNECTOR		
Scale	5/2	General linear Tolerances: ± 0.1	<b>NPRDS / PROJECT</b> UT0W	
<b>SOURIAU</b>		<b>WWW.SOURIAU.COM</b>		This document is the property of SOURIAU. It must not be reproduced or communicated without permission.
FORMAT	<b>SOURIAU DRG N°</b> C002-UT00-A			SHEET 1 / 2

In case the connectors are equipped with dipsolder contacts



### Panel Cut Out



Contacts to be ordered separately

Part Number	M $\pm 0.2$	$\varnothing N \pm 0.1$	$\varnothing P \pm 0.1$	$\varnothing R \pm 0.1$
UT0W0106--H-	18.26	3.20	14.20	17.30
UT0W01210--H-	20.62	3.20	18.40	21.85
UT0W01419--H-	23.01	3.20	21.50	25.00
UT0W01626--H-	24.61	3.20	24.60	28.10
UT0W01832--H-	26.97	3.20	27.80	31.35
UT0W02041--H-	29.36	3.20	30.95	34.50
UT0W02255--H-	31.75	3.20	34.10	37.70
UT0W02461--H-	34.92	3.90	37.30	40.90

-Dimension  $\varnothing P$  for front panel mounting (see to panel cut out)  
 -Dimension  $\varnothing R$  for rear panel mounting (see to panel cut out)

MALE CONTACTS				
Part Number	G		H	
	min	max	min	max
UT0W0106P-H-				
UT0W01210P-H-				
UT0W01419P-H-	8.45	10	9.35	11
UT0W01626P-H-				
UT0W01832P-H-				
UT0W02041P-H-	8.5	10.5	9.40	11.45
UT0W02255P-H-	8.4	10	9.35	11
UT0W02461P-H-				

FEMALE CONTACTS				
Part Number	G		H	
	min	max	min	max
UT0W0106S-H-				
UT0W01210S-H-				
UT0W01419S-H-	8.4	10.6	9.1	11.1
UT0W01626S-H-				
UT0W01832S-H-				
UT0W02041S-H-				
UT0W02255S-H-	6.3	8.3	7	8.9
UT0W02461S-H-				

A	18/05/2015	_CREATION OF THE DRAWING		24021
ISS	DATE	Latest modification - by: COUTY L.		MOD N°
Designed by: COUTY L.		Date: 18/05/2015		CUSTOMER DRAWING
TITLE		RECEPTACLE UT0W CONNECTOR		
Scale	3/1	General linear Tolerances: $\pm 0.1$	NPRDS / PROJECT UT0W	
SOURIAU		WWW.SOURIAU.COM		This document is the property of SOURIAU. It must not be reproduced or communicated without permission.
FORMAT	A2	SOURIAU DRG N° C002-UT00-A		SHEET 2 / 2