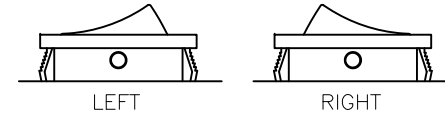
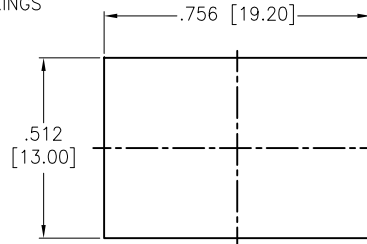
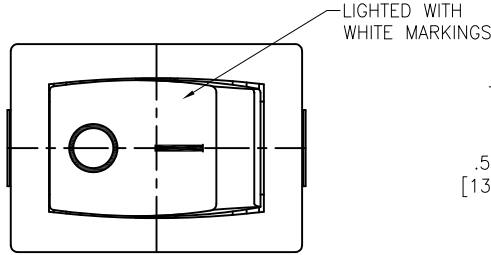
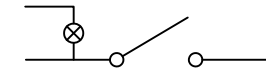


APPROVED: _____
 DATE: _____ TITLE: _____

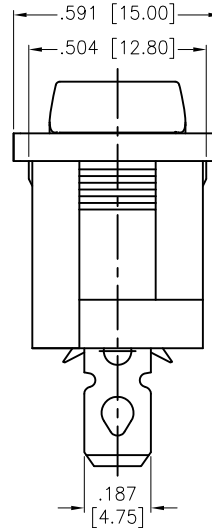
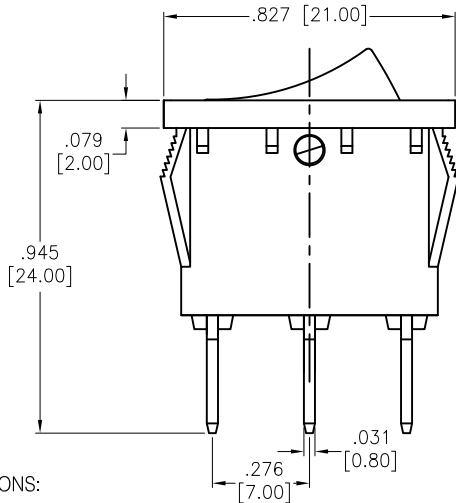
Rev	AWO #	Description	Date	Appr
-		RELEASED	11/18/21	
A		UPDATE SPEC.	5/27/22	WX/MC



RECOMMENDED
 PANEL CUT-OUT



CIRCUIT DIAGRAM
 (SPST) ON-OFF



SW-R2-1A-F-LXXX-2

	Lighted Actuator
W	Lighted White
R	Lighted Red
G	Lighted Green
Y	Lighted Yellow (Amber)
B	Lighted Blue

	Actuator Markings
1	
2	
3	
4	
5	

	LED Voltage
1	3V
2	6V
3	12V
4	24V
5	48V
6	110V
7	220V

SPECIFICATIONS:

Material:
 Body: Nylon 66, Color Black, Rated UL 94V-0
 Terminal: Brass, Silver plated
 LED Terminal: Bare copper
 Button: Nylon 66, Lighted color (See Chart). White color markings

Electrical:
 The rated load: 250V AC, 6A
 125V AC, 10A
 Contact resistance: 50 mohms max
 Insulation resistance: 100 Mohms min
 Dielectric withstanding voltage: 1500 VAC/5S min

Mechanical:
 Electrical life: 10000 Cycles min
 Temperature Rating:
 Operating temperature: -25°C to +85°C

Environmental:
 Lead free, RoHS compliant



Replace "x" in P/N with the corresponding switch color and marking

UNLESS OTHERWISE SPECIFIED ALL DIMENSIONS ARE INCHES [MM]. TOLERANCES: EXCEPT AS NOTED			
INCHES		HOLES	
.x	± .10	∅x	± .10
.xx	± .020	∅xx	± .015
.xxx	± .015	∅xxx	± .010



909 Rahway Avenue,
 Union, NJ 07083
 Phone: 908-687-5000
 Fax: 908-687-5710

DRAWN	JJ	11/18/21
CHECKED	RC	11/18/21
APPROVED		

TITLE
SWITCH, MINIATURE ROCKER, SPST, ON-OFF, .187 [4.75MM], LIGHTED

THIS DRAWING CONTAINS INFORMATION THAT IS PROPRIETARY AND SHOULD NOT BE USED WITHOUT PRIOR WRITTEN PERMISSION FROM ADAM TECH

SIZE	PART NO.	REV.
X	SW-R2-1A-F-LXXX-2	A

REF: S00206C	SCALE: NTS	SHEET 1 OF 1
--------------	------------	--------------