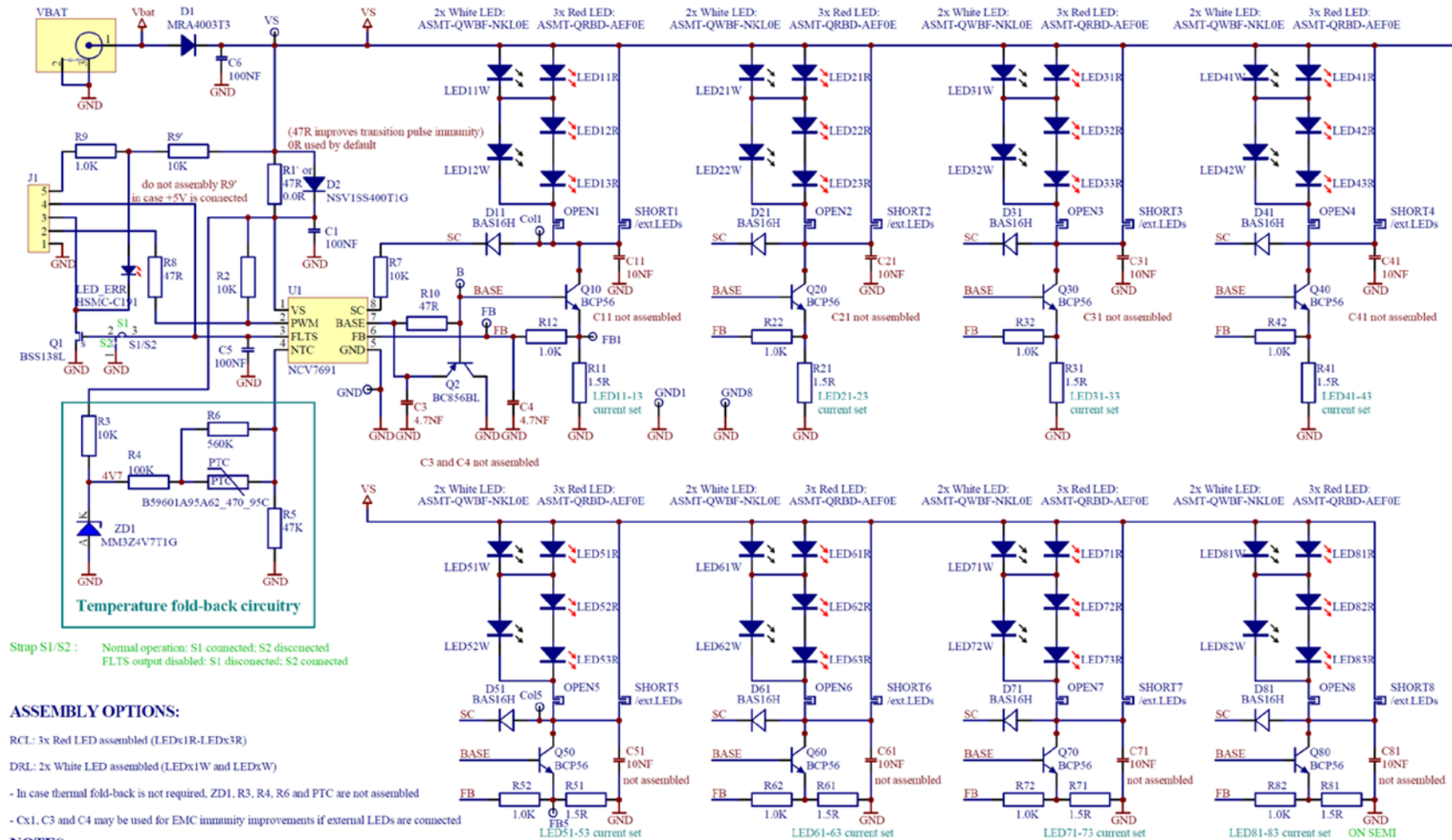


Schematic for the NCV7691RCLV1GEVB Evaluation Board



Strap S1/S2 : Normal operation: S1 connected; S2 disconnected
 FLTS output disabled: S1 disconnected; S2 connected

ASSEMBLY OPTIONS:

- RCL: 3x Red LED assembled (LEDx1R-LEDx3R)
- DRL: 2x White LED assembled (LEDx1W and LEDx2W)
- In case thermal fold-back is not required, ZD1, R3, R4, R6 and PTC are not assembled
- Cx1, C3 and C4 may be used for EMC immunity improvements if external LEDs are connected

NOTES:

- all resistors and capacitors are in 0603 packages
- External LED strings may be connected through SHORTx conceotrs
- LED string current can be adjusted by Rcx1 resistors: $R_{x1} = 0.152 \cdot I(LED)$
 Maximum string current = 150 mA ($R_{x1}=1R$)

R11-R81	I(LED)
1R	150 mA
1R5	100 mA
2R	75 mA
2R2	68 mA