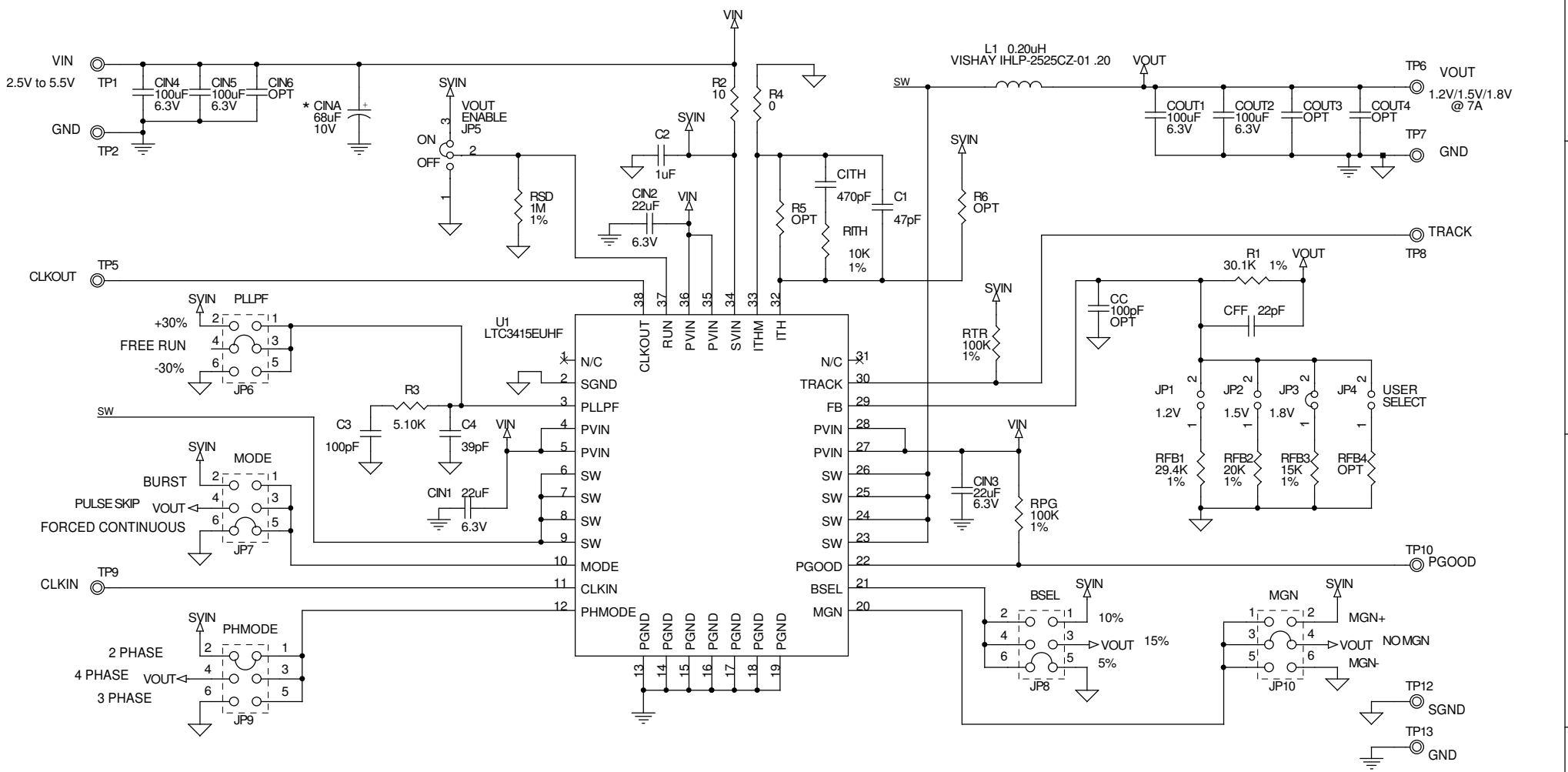


This circuit is proprietary to Linear Technology and supplied for use with Linear Technology parts.
Customer Notice: Linear Technology has made a best effort to design a circuit that meets customer-supplied specifications; however, it remains the customers responsibility to verify proper and reliable operation in the actual application. Component substitution and printed circuit board layout may significantly affect circuit performance or reliability. Contact Linear Applications Engineering for assistance.

REVISION HISTORY				
ECO	REV	DESCRIPTION	DATE	APPROVED
	3	PROD	02/28/06	



* CINA IS AN OPTIONAL CAPACITOR. IT IS INSERTED ON THE DC725A TO DAMPEN THE (POSSIBLE) RINGING VOLTAGE DUE TO THE USE OF LONG INPUT LEADS. ON A NORMAL TYPICAL PCB WITH SHORT TRACES. CINA IS NOT NEEDED.

UNLESS OTHERWISE SPECIFIED DIMENSIONS ARE IN INCHES TOLERANCE ON ANGLE --- 2 PLACES --- 3 PLACES --- INTERPRET DIM AND TOL PER ASME Y14.5M -1994	CONTRACT NO.		1630 McCarthy Blvd. Milpitas, CA 95035 Phone: (408)432-1900 Fax: (408)434-0507		
	APPROVALS	DATE			
	DRAWN MEI	12/01/04			
	THIRD ANGLE PROJECTION				
	CHECKED		TITLE SCH, LTC3415EUHF, 7A MONOLITHIC SYNCHRONOUS BUCK CONVERTER		
	APPROVED				
	ENGINEER				
	DESIGNER				
DO NOT SCALE DRAWING	Thursday, March 30, 2006	SCALE: NONE	<table border="1"> <tr> <td>FILENAME: 725A-3.DSN</td> <td>SHEET 1 OF 1</td> </tr> </table>	FILENAME: 725A-3.DSN	SHEET 1 OF 1
FILENAME: 725A-3.DSN	SHEET 1 OF 1				