



MODEL: CPT-2510-28-85T | **DESCRIPTION:** PIEZO BUZZER TRANSDUCER

FEATURES

- 24 Vdc rated
- 85 dB
- continuous tone
- feedback pin



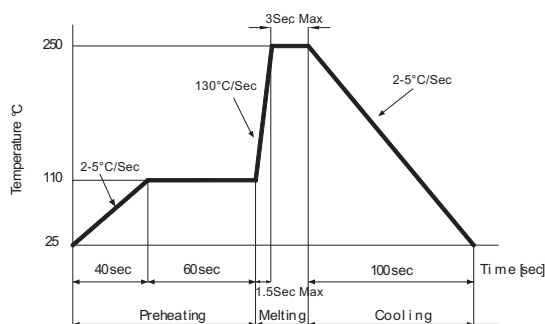
SPECIFICATIONS

| parameter | conditions/description | min | typ | max | units |
|---------------------------|----------------------------------|--------|--------|--------|-------|
| rated voltage | | | 24 | | Vdc |
| operating voltage | | 3 | | 28 | Vdc |
| current consumption | at rated voltage | | | 27 | mA |
| rated frequency | | 2,500 | 3,000 | 3,500 | Hz |
| sound pressure level | at 30 cm, rated voltage, 3.0 kHz | 85 | | | dB |
| tone | continuous | | | | |
| electrostatic capacitance | at 120 Hz, 1 V | 28,000 | 40,000 | 52,000 | pF |
| dimensions | Ø25.2 x 9.5 | | | | mm |
| weight | | | | 2.5 | g |
| material | PBT+30% glass (black) | | | | |
| terminal | pin type (tin plating) | | | | |
| operating temperature | | -30 | | 85 | °C |
| storage temperature | | -40 | | 85 | °C |
| washable | no | | | | |
| RoHS | yes | | | | |

Notes: 1. All specifications measured at 5-35°C, humidity at 45-85%, under 86-106kPa pressure, unless otherwise noted.

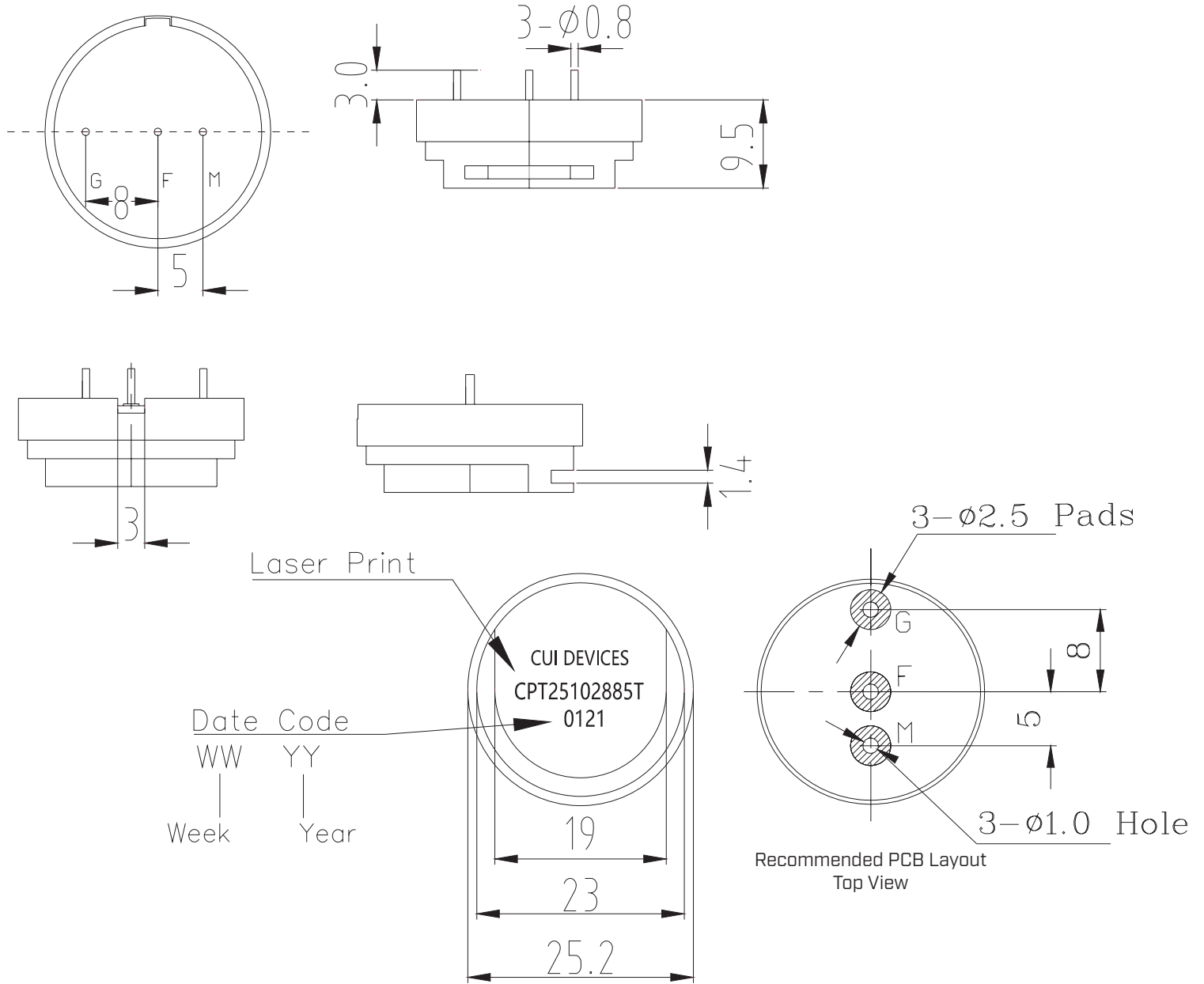
SOLDERABILITY

| parameter | conditions/description | min | typ | max | units |
|----------------|----------------------------|-----|-----|-----|-------|
| hand soldering | for maximum 2 seconds | 330 | | 380 | °C |
| wave soldering | see wave soldering profile | | | 250 | °C |



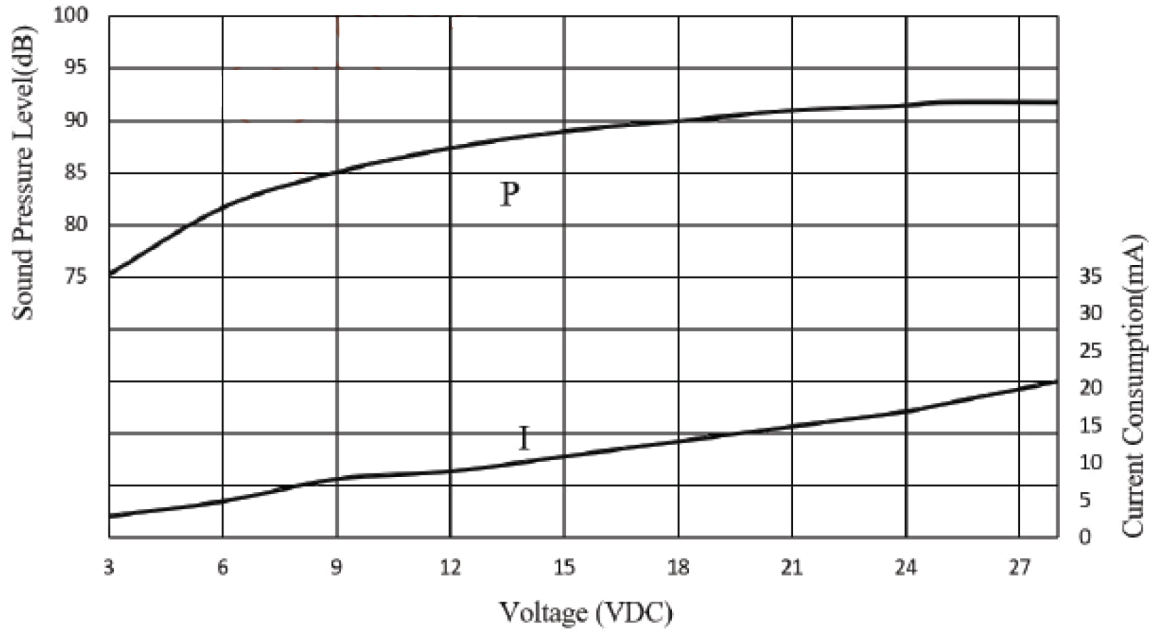
MECHANICAL DRAWING

units: mm
tolerance: ±0.5 mm

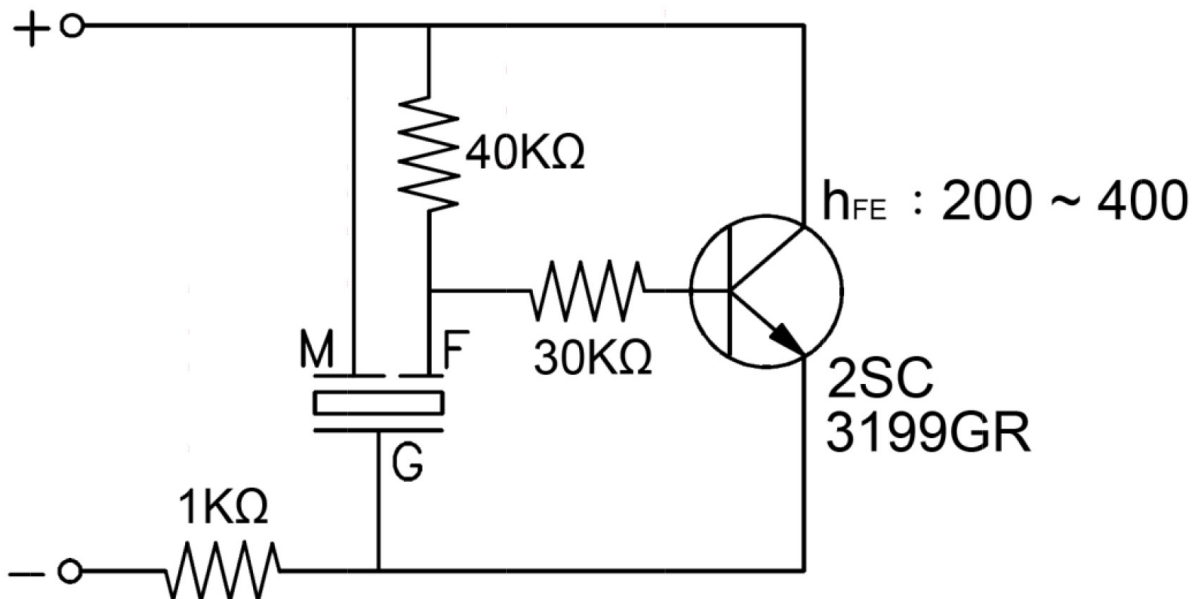


PERFORMANCE CURVES

P: Voltage vs. Sound Pressure Level
 I: Voltage vs. Current Consumption
 at 30 cm



DRIVING CIRCUIT

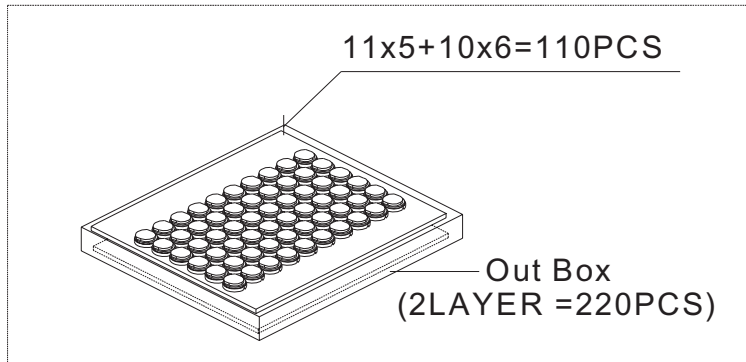


Notes: 1. The current consumption and the sound pressure level are measured by using the recommend driving circuit shown above.

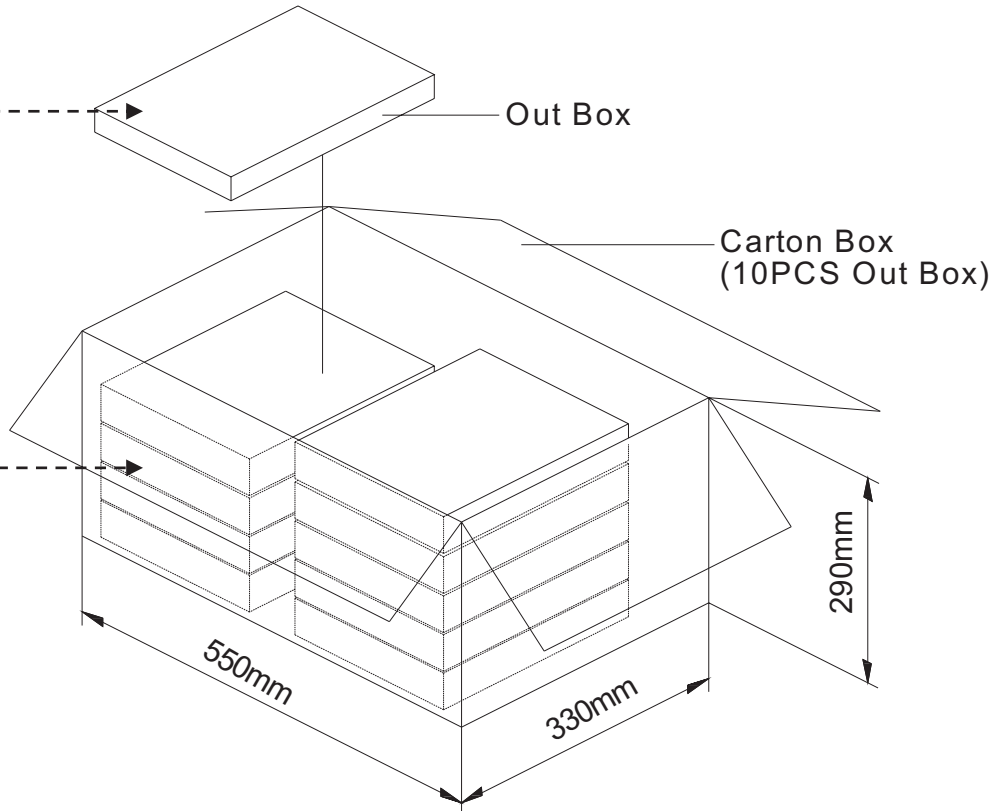
PACKAGING

units: mm

Inner Box Size: 310 x 248 x 49 mm
 Carton Box Size: 550 x 330 x 290 mm
 Inner Box QTY: 110 pcs per tray
 Carton Box QTY: 2,200 pcs per carton



| | |
|---------------|--------------------------|
| Lot No. | XXXXXXXXXX |
| Part No. | XXXXXXXXXX XXXXXXXXXX |
| Quantity. | XXXX Pcs |
| Date: | |
| WW YY | RoHs Compliant |
| MADE IN CHINA | |
| CUI DEVICES | |



REVISION HISTORY

| rev. | description | date |
|------|------------------------------|------------|
| 1.0 | initial release | 11/23/2021 |
| 1.01 | logo, datasheet style update | 08/05/2022 |

The revision history provided is for informational purposes only and is believed to be accurate.



CUI Devices offers a one (1) year limited warranty. Complete warranty information is listed on our website.

CUI Devices reserves the right to make changes to the product at any time without notice. Information provided by CUI Devices is believed to be accurate and reliable. However, no responsibility is assumed by CUI Devices for its use, nor for any infringements of patents or other rights of third parties which may result from its use.

CUI Devices products are not authorized or warranted for use as critical components in equipment that requires an extremely high level of reliability. A critical component is any component of a life support device or system whose failure to perform can be reasonably expected to cause the failure of the life support device or system, or to affect its safety or effectiveness.

cuidevices.com