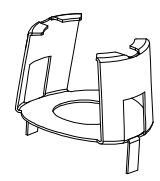
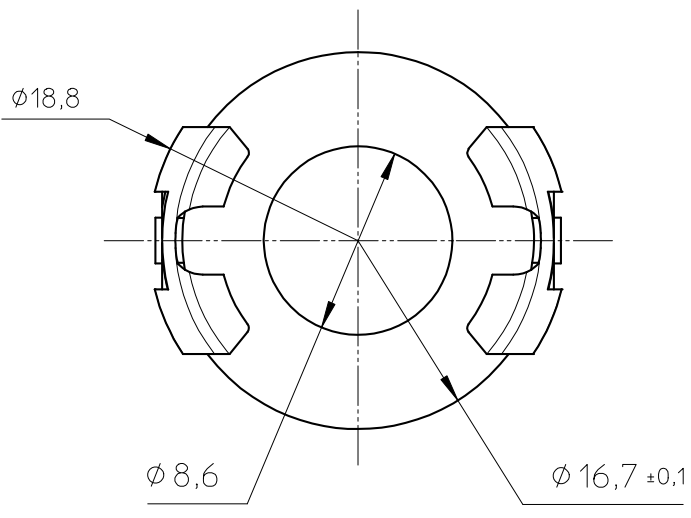
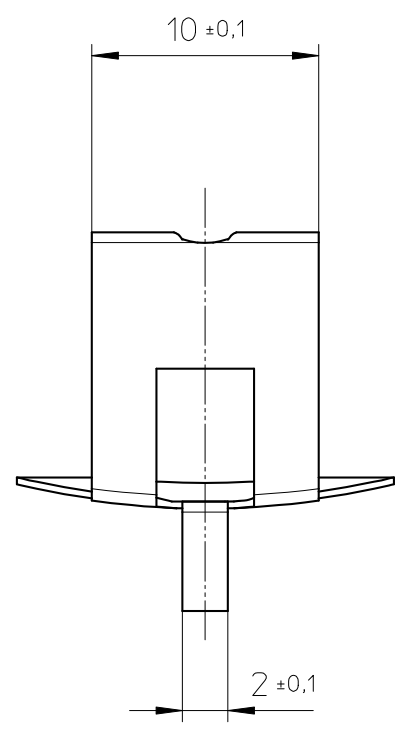
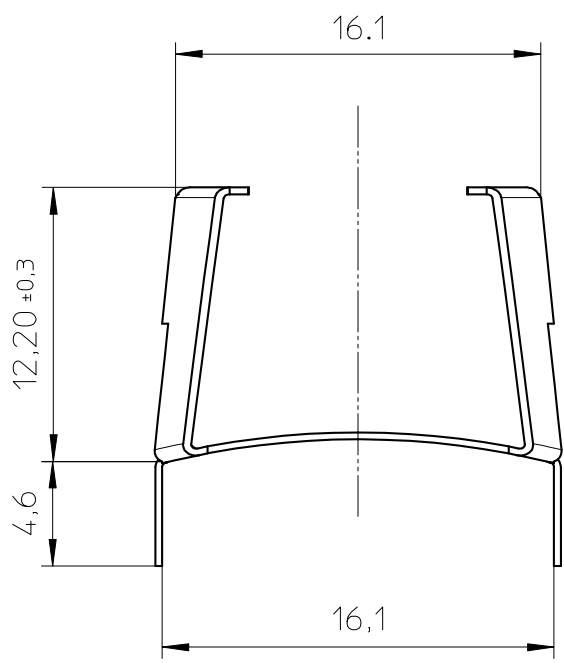
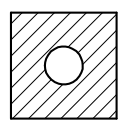
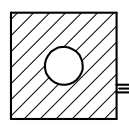


FERROXCUBE



Material: phosphorbronze 0,3 mm - Sn plated (plating finish matte)
 Earthpins solderability: acc. to IEC 60 068-2-20 Part 2, Test Ta, method 1, 235°C-2s

CLASS.NO.		CLM/TP-P18/11-TZ	4322 021 06751	07-10-03			
				09-09-08			
NAME NAAM	SUPERS. VERV.	1	SH BL.	SH BL.	112 - 001	010	A4
MPA	CHECK CONTR.	DAT.	07-10-03	Property of Eigendom van	© FERROXCUBE 2007		