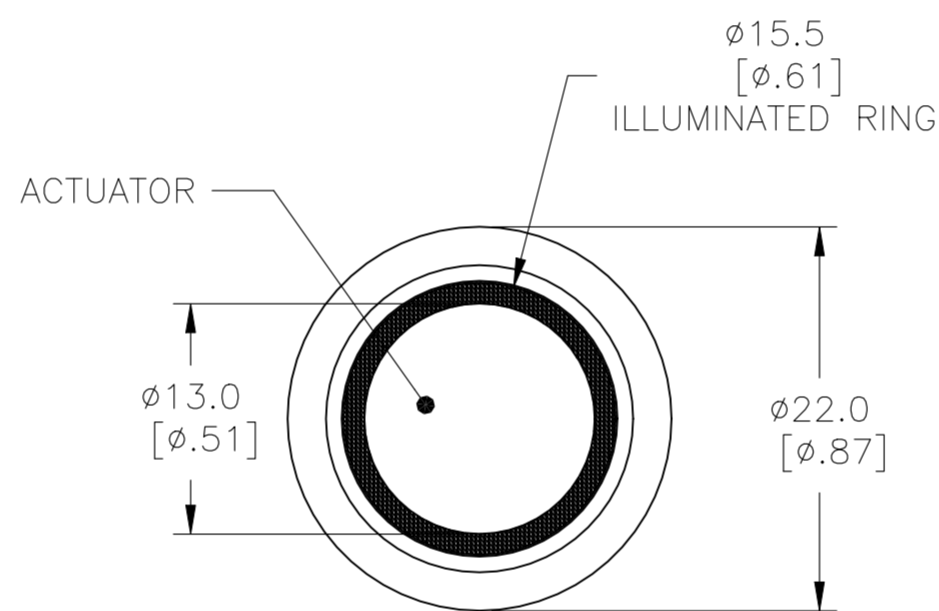
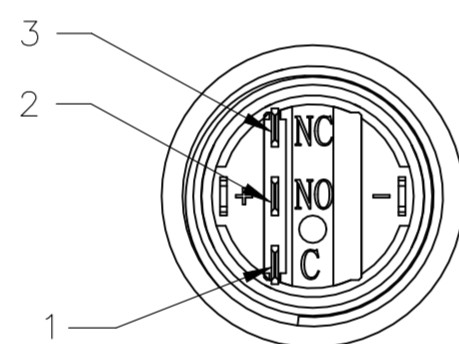
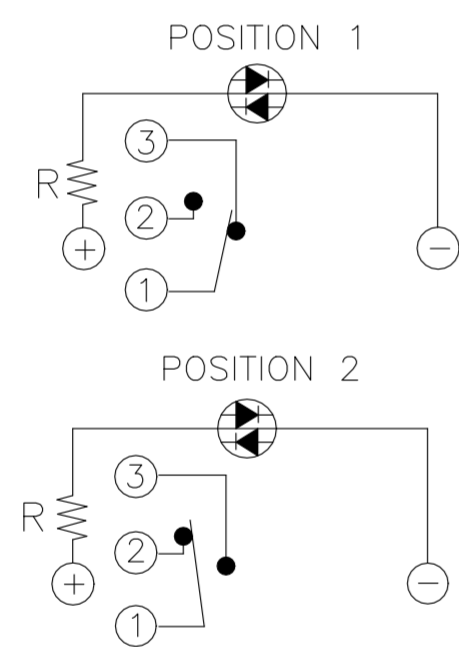
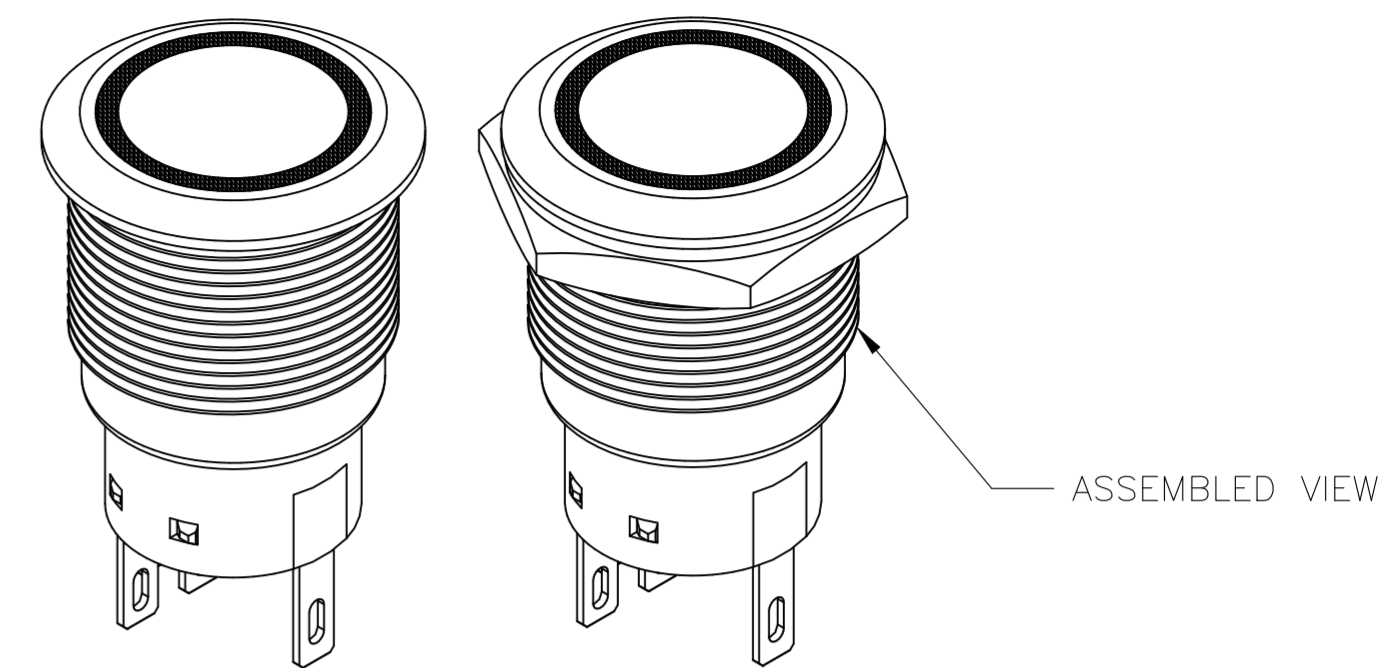
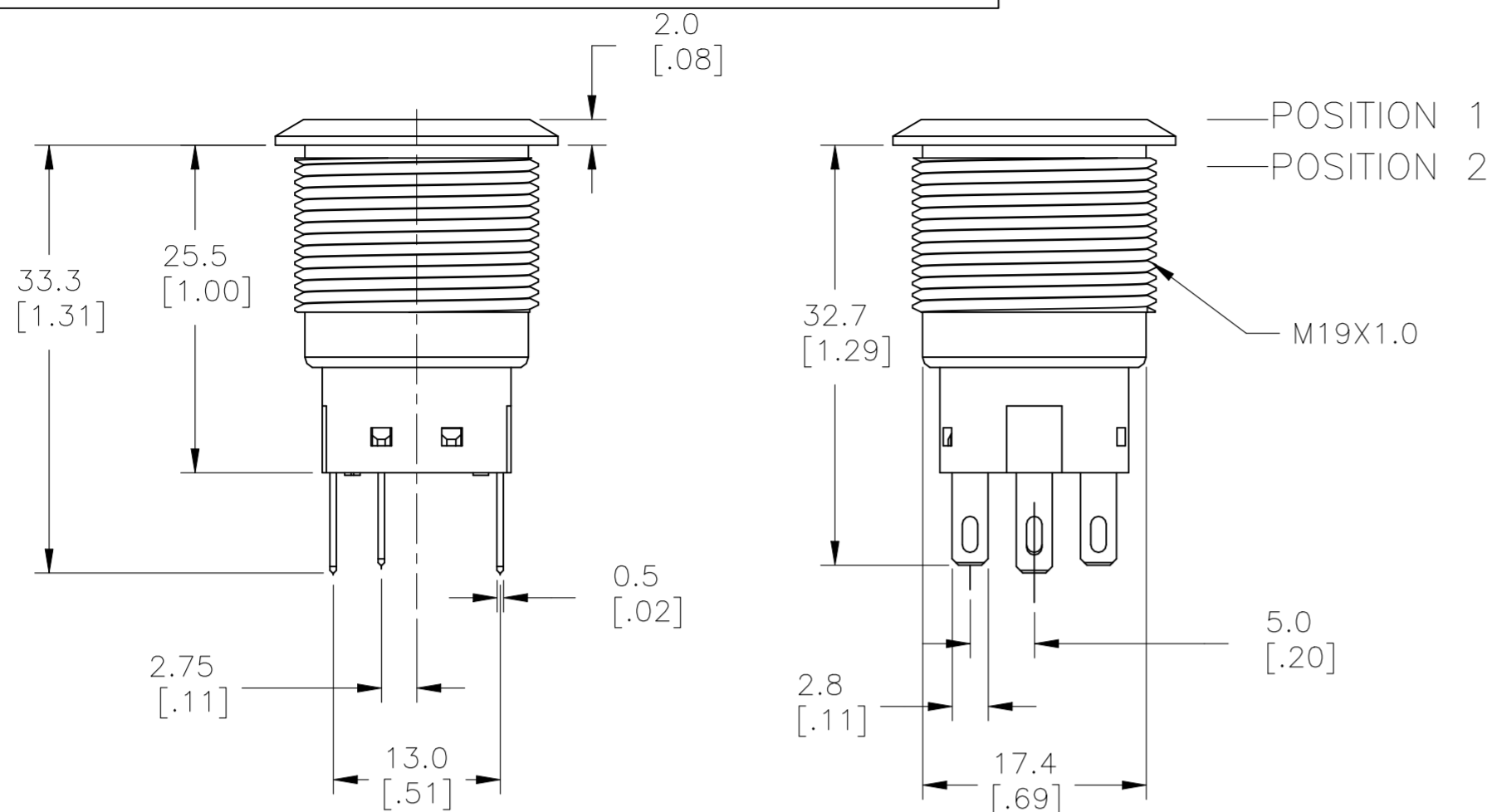


THIS DRAWING IS UNPUBLISHED. RELEASED FOR PUBLICATION
© COPYRIGHT - By - ALL RIGHTS RESERVED.

REVISIONS					
P	LTR	DESCRIPTION	DATE	DWN	APVD
B1		REVISED PER ECR-21-006029	02SEP2021	VG	PO



SPECIFICATIONS

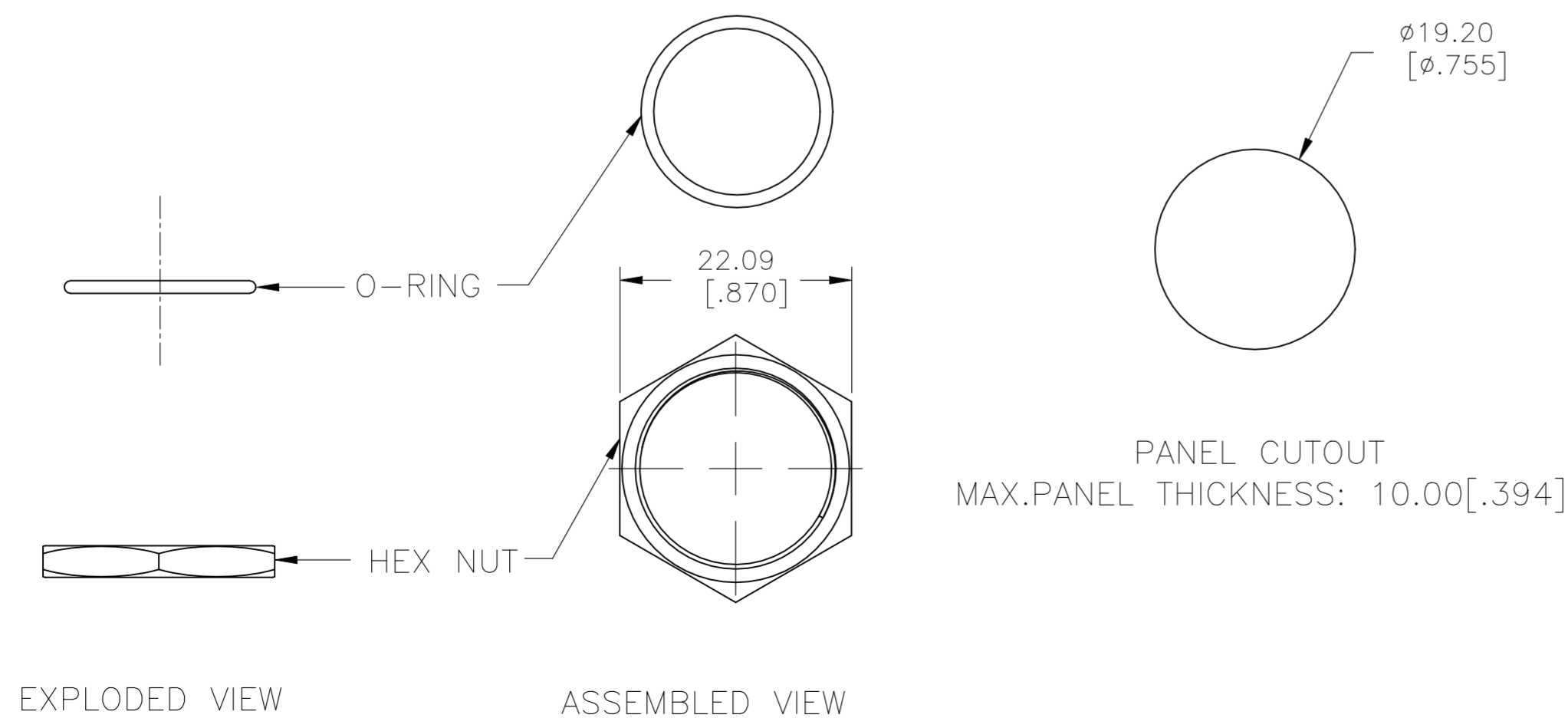
CONTACT RATING: SILVER: 3A @ 250 VAC RESISTIVE
 GOLD: 0.4VA @ 20VDC OR PEAK AC
 INSULATION RESISTANCE: 1,000MΩ MIN AT 500VDC
 DIELECTRIC STRENGTH: 2,000V RMS @ SEA LEVEL
 CONTACT RESISTANCE: 50 mΩ MAX @ 1A 12VDC (INITIAL VALUE)
 ELECTRICAL LIFECYCLES: 50,000 MAKE AND BREAK CYCLES AT FULL LOAD

ACTUATION FORCE: SP: 2.5±1 NEWTON, DP: 3.5±1 NEWTON
 ACTUATION TRAVEL: 3.2mm
 SEALED PER IP67, IK10 (STAINLESS)
 OPERATING TEMPERATURE: -20°C TO +55°C
 MECHANICAL LIFECYCLES: MOMENTARY: 1,000,000 CYCLES
 LOCKING: 500,000 CYCLES
 HARDWARE TORQUE: 5-14 N-m

MATERIALS

BUSHING: STAINLESS STEEL
 BASE: PBT (UL 94-V0), PC (UL 94-V2)
 ACTUATOR: STAINLESS STEEL, PC
 SEALING: O-RING (SILICONE)
 TERMINAL/CONTACT: COPPER BASE, SILVER/GOLD PLATED
 HEX NUT: BRASS BASE, NICKEL PLATED

1 ALL MATERIAL AND FINISHES SHALL COMPLY WITH EU DIRECTIVE 2002/95/EC OF 27JAN2003 (ROHS)



THIS DRAWING IS A CONTROLLED DOCUMENT.		DWN NAGALAKSHMI K 08FEB2016	STE TE Connectivity	
DIMENSIONS: mm [INCHES]		CHK HILL RYAN 08FEB2016		
TOLERANCES UNLESS OTHERWISE SPECIFIED:		APVD HILL RYAN 08FEB2016	NAME ANTI-VANDAL SWITCH 19mm MOVING RING LED	
0 PLC ± -	1 PLC ± -	PRODUCT SPEC	SIZE A2	CAGE CODE 00779
2 PLC ± -	3 PLC ± -	APPLICATION SPEC	DRAWING NO C=2213767	RESTRICTED TO -
4 PLC ± -	ANGLES ± -		WEIGHT 0	SCALE 1:1
MATERIAL -	FINISH -	CUSTOMER DRAWING	SHEET 1 OF 4	REV B1

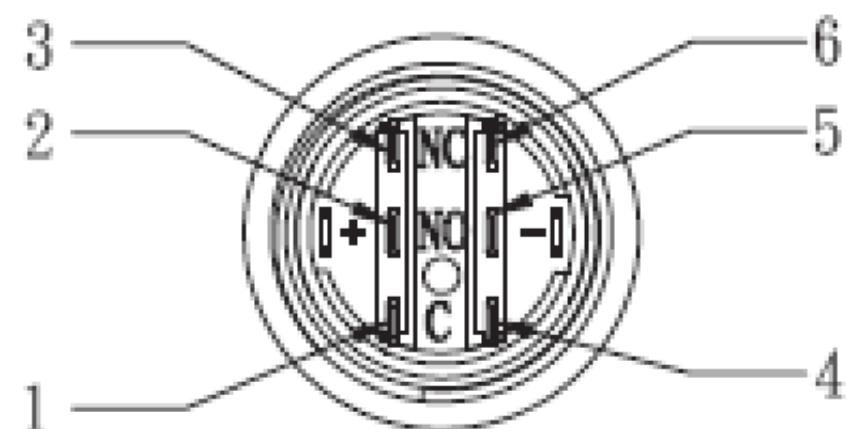
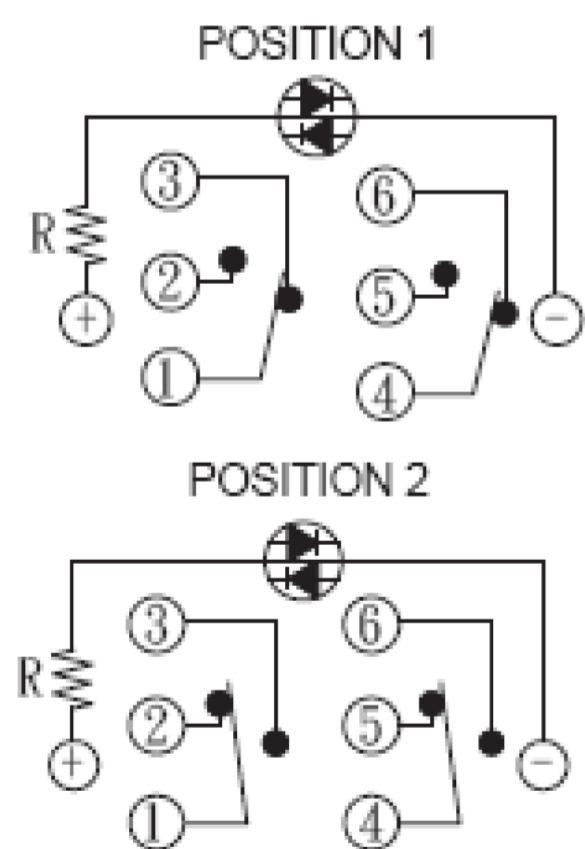
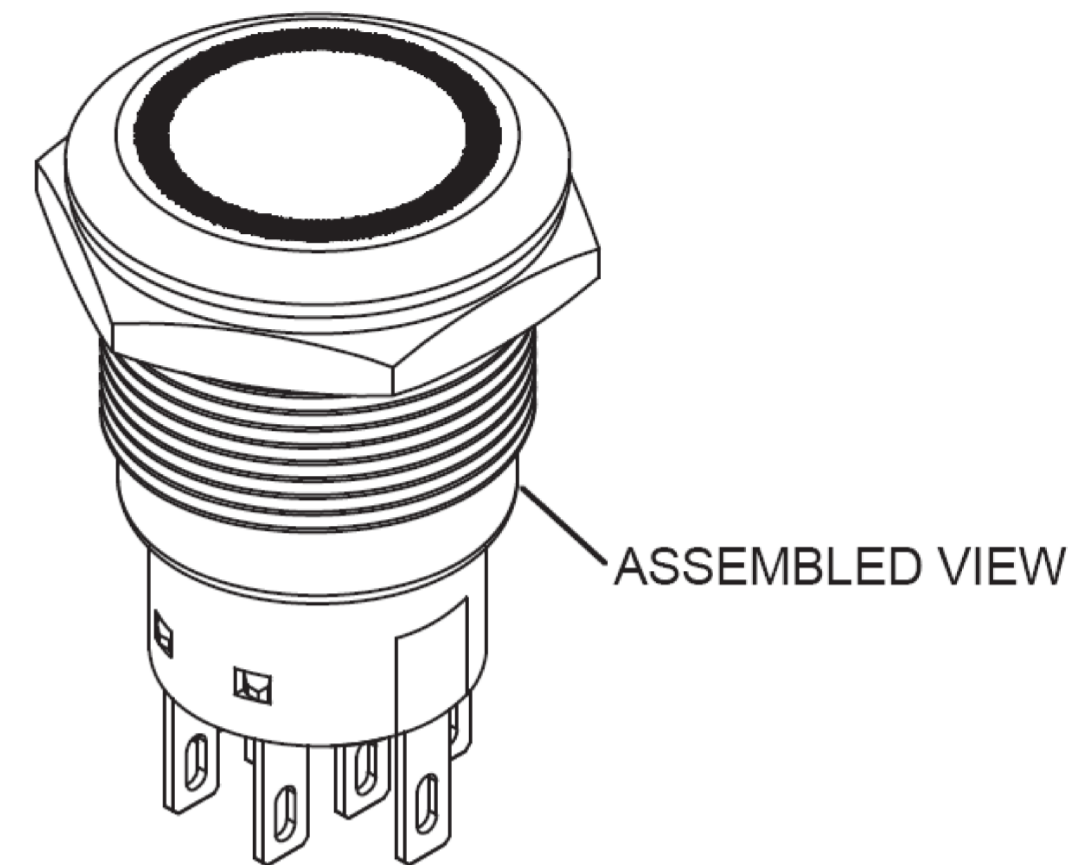
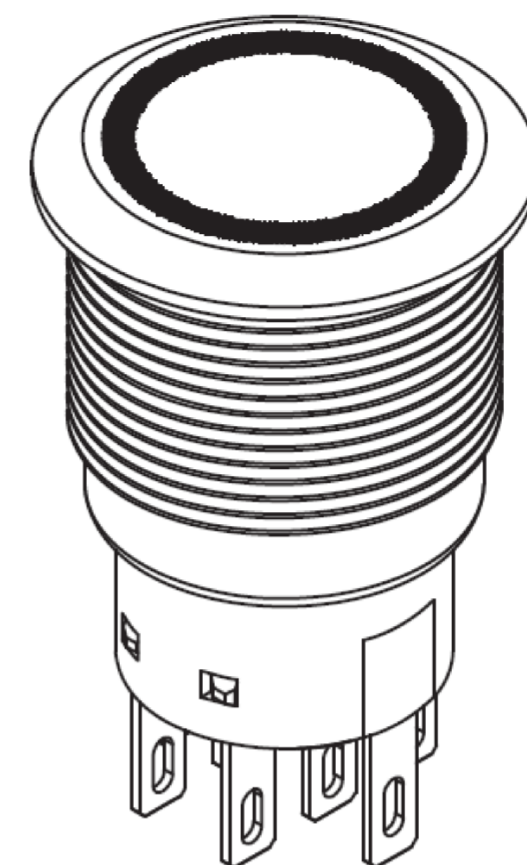
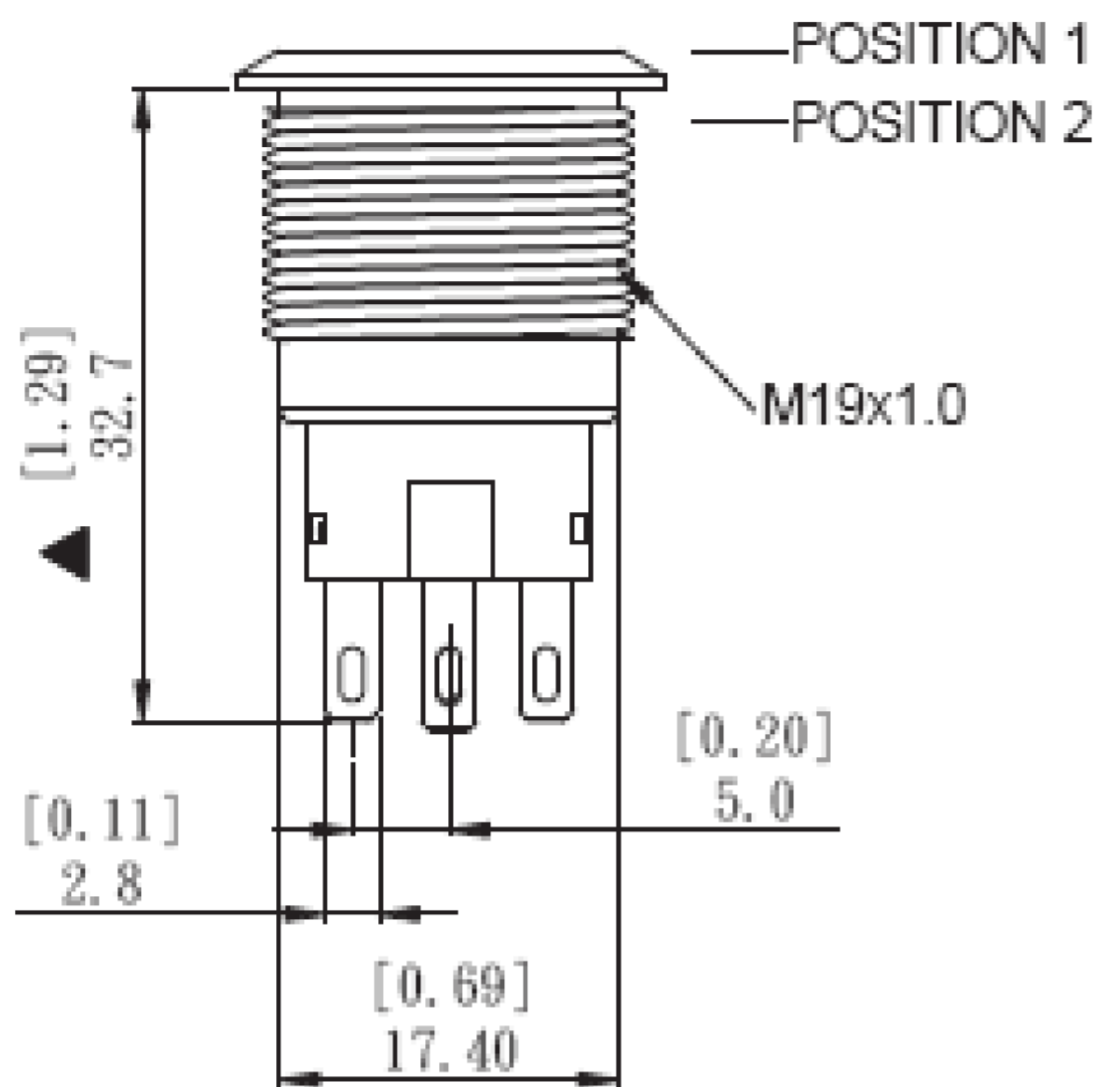
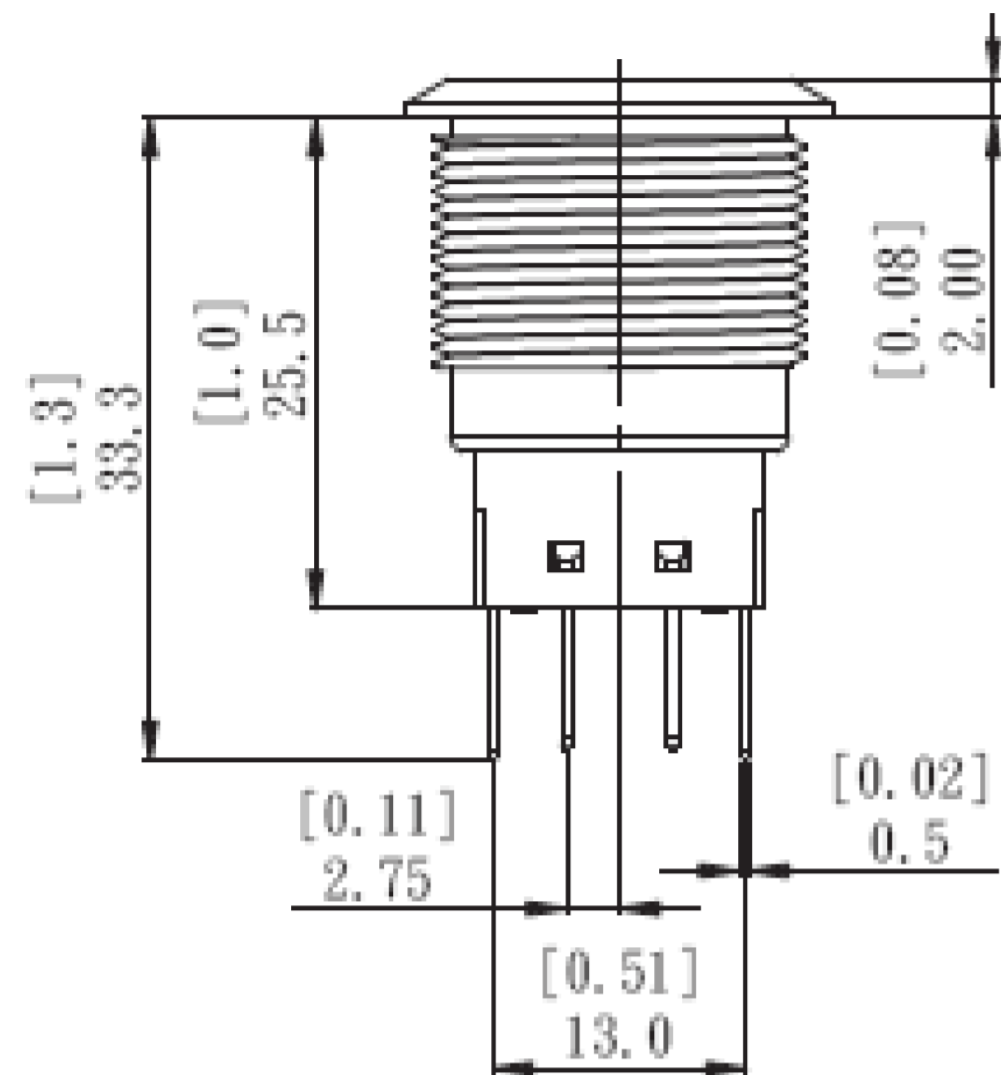
EXPLODED VIEW

ASSEMBLED VIEW

PANEL CUTOUT
MAX.PANEL THICKNESS: 10.00[.394]

THIS DRAWING IS UNPUBLISHED. RELEASED FOR PUBLICATION
 © COPYRIGHT - By - ALL RIGHTS RESERVED.

REVISIONS					
P	LTR	DESCRIPTION	DATE	DWN	APVD
-	-	SEE SHEET 1	-	-	-




THIS DRAWING IS A CONTROLLED DOCUMENT.		DWN NAGALAKSHMI K 08FEB2016																					
DIMENSIONS: mm [INCHES]		CHK HILL RYAN 08FEB2016																					
TOLERANCES UNLESS OTHERWISE SPECIFIED:		APVD HILL RYAN 08FEB2016	NAME ANTI-VANDAL SWITCH 19mm MOVING RING LED																				
<table border="1"> <tr><td>0 PLC</td><td>±</td><td>-</td></tr> <tr><td>1 PLC</td><td>±</td><td>-</td></tr> <tr><td>2 PLC</td><td>±</td><td>-</td></tr> <tr><td>3 PLC</td><td>±</td><td>-</td></tr> <tr><td>4 PLC</td><td>±</td><td>-</td></tr> <tr><td>ANGLES</td><td>±</td><td>-</td></tr> </table>		0 PLC	±	-	1 PLC	±	-	2 PLC	±	-	3 PLC	±	-	4 PLC	±	-	ANGLES	±	-	PRODUCT SPEC -	SIZE A2	CAGE CODE 00779	DRAWING NO C=2213767
0 PLC	±	-																					
1 PLC	±	-																					
2 PLC	±	-																					
3 PLC	±	-																					
4 PLC	±	-																					
ANGLES	±	-																					
MATERIAL -		FINISH -	WEIGHT -	SCALE 1:1	SHEET 2 of 4																		
CUSTOMER DRAWING			RESTRICTED TO -	REV B1																			

THIS DRAWING IS UNPUBLISHED. RELEASED FOR PUBLICATION
 © COPYRIGHT - By - ALL RIGHTS RESERVED.

REVISIONS					
P	LTR	DESCRIPTION	DATE	DWN	APVD
-	-	SEE SHEET 1	-	-	-

POLE/THROW	CONTACT	LED COLOR	LED VOLTAGE	TE DESCRIPTIVE PN	TE PART NUMBER
SINGLE POLE-LOCKING	GOLD	BLUE	24V	AV1911E724R04	4-2213767-0
	SILVER	BLUE	24V	AV1911E724Q04	3-2213767-9
	GOLD	BLUE	12V	AV1911E712R04	3-2213767-8
	SILVER	BLUE	12V	AV1911E712Q04	3-2213767-7
	GOLD	GREEN	24V	AV1911E624R04	3-2213767-6
	SILVER	GREEN	24V	AV1911E624Q04	3-2213767-5
	GOLD	GREEN	12V	AV1911E612R04	3-2213767-4
	SILVER	GREEN	12V	AV1911E612Q04	3-2213767-3
	GOLD	YELLOW	24V	AV1911E524R04	3-2213767-2
	SILVER	YELLOW	24V	AV1911E524Q04	3-2213767-1
	GOLD	YELLOW	12V	AV1911E512R04	3-2213767-0
	SILVER	YELLOW	12V	AV1911E512Q04	2-2213767-9
	GOLD	RED	24V	AV1911E324R04	2-2213767-8
	SILVER	RED	24V	AV1911E324Q04	2-2213767-7
	GOLD	RED	12V	AV1911E312R04	2-2213767-6
	SILVER	RED	12V	AV1911E312Q04	2-2213767-5
	GOLD	WHITE	24V	AV1911E124R04	2-2213767-4
	SILVER	WHITE	24V	AV1911E124Q04	2-2213767-3
	GOLD	WHITE	12V	AV1911E112R04	2-2213767-2
	SILVER	WHITE	12V	AV1911E112Q04	2-2213767-1
SINGLE POLE-MOMENTARY	GOLD	BLUE	24V	AV1910E724R04	2-2213767-0
	SILVER	BLUE	24V	AV1910E724Q04	1-2213767-9
	GOLD	BLUE	12V	AV1910E712R04	1-2213767-8
	SILVER	BLUE	12V	AV1910E712Q04	1-2213767-7
	GOLD	GREEN	24V	AV1910E624R04	1-2213767-6
	SILVER	GREEN	24V	AV1910E624Q04	1-2213767-5
	GOLD	GREEN	12V	AV1910E612R04	1-2213767-4
	SILVER	GREEN	12V	AV1910E612Q04	1-2213767-3
	GOLD	YELLOW	24V	AV1910E524R04	1-2213767-2
	SILVER	YELLOW	24V	AV1910E524Q04	1-2213767-1
	GOLD	YELLOW	12V	AV1910E512R04	1-2213767-0
	SILVER	YELLOW	12V	AV1910E512Q04	2213767-9
	GOLD	RED	24V	AV1910E324R04	2213767-8
	SILVER	RED	24V	AV1910E324Q04	2213767-7
	GOLD	RED	12V	AV1910E312R04	2213767-6
	SILVER	RED	12V	AV1910E312Q04	2213767-5
	GOLD	WHITE	24V	AV1910E124R04	2213767-4
	SILVER	WHITE	24V	AV1910E124Q04	2213767-3
	GOLD	WHITE	12V	AV1910E112R04	2213767-2
	SILVER	WHITE	12V	AV1910E112Q04	2213767-1

THIS DRAWING IS A CONTROLLED DOCUMENT.		DWN 08FEB2016 NAGALAKSHMI K	 TE Connectivity		
DIMENSIONS: mm [INCHES]		CHK 08FEB2016 HILL RYAN			
TOLERANCES UNLESS OTHERWISE SPECIFIED:		APVD 08FEB2016 HILL RYAN	NAME ANTI-VANDAL SWITCH 19mm MOVING RING LED		
0 PLC ± - 1 PLC ± - 2 PLC ± - 3 PLC ± - 4 PLC ± - ANGLES ± -		PRODUCT SPEC - APPLICATION SPEC -	SIZE A2	CAGE CODE 00779	DRAWING NO C=2213767
MATERIAL -	FINISH -	WEIGHT -	SCALE 1:1	SHEET 3 of 4	REV B1
CUSTOMER DRAWING					

D

D

C

C

B

2213767

B


A

A

THIS DRAWING IS UNPUBLISHED. RELEASED FOR PUBLICATION
 © COPYRIGHT - By - ALL RIGHTS RESERVED.

REVISIONS				
P	LTR	DESCRIPTION	DATE	APVD
-	-	SEE SHEET 1	-	-

POLE/THROW	CONTACT	LED COLOR	LED VOLTAGE	TE DESCRIPTIVE PN	TE PART NUMBER
DOUBLE POLE-LOCKING	GOLD	BLUE	24V	AV1921E724R04	8-2213767-0
	SILVER	BLUE	24V	AV1921E724Q04	7-2213767-9
	GOLD	BLUE	12V	AV1921E712R04	7-2213767-8
	SILVER	BLUE	12V	AV1921E712Q04	7-2213767-7
	GOLD	GREEN	24V	AV1921E624R04	7-2213767-6
	SILVER	GREEN	24V	AV1921E624Q04	7-2213767-5
	GOLD	GREEN	12V	AV1921E612R04	7-2213767-4
	SILVER	GREEN	12V	AV1921E612Q04	7-2213767-3
	GOLD	YELLOW	24V	AV1921E524R04	7-2213767-2
	SILVER	YELLOW	24V	AV1921E524Q04	7-2213767-1
	GOLD	YELLOW	12V	AV1921E512R04	7-2213767-0
	SILVER	YELLOW	12V	AV1921E512Q04	6-2213767-9
	GOLD	RED	24V	AV1921E324R04	6-2213767-8
	SILVER	RED	24V	AV1921E324Q04	6-2213767-7
	GOLD	RED	12V	AV1921E312R04	6-2213767-6
	SILVER	RED	12V	AV1921E312Q04	6-2213767-5
DOUBLE POLE-MOMENTARY	GOLD	WHITE	24V	AV1921E124R04	6-2213767-4
	SILVER	WHITE	24V	AV1921E124Q04	6-2213767-3
	GOLD	WHITE	12V	AV1921E112R04	6-2213767-2
	SILVER	WHITE	12V	AV1921E112Q04	6-2213767-1
	GOLD	BLUE	24V	AV1920E724R04	6-2213767-0
	SILVER	BLUE	24V	AV1920E724Q04	5-2213767-9
	GOLD	BLUE	12V	AV1920E712R04	5-2213767-8
	SILVER	BLUE	12V	AV1920E712Q04	5-2213767-7
	GOLD	GREEN	24V	AV1920E624R04	5-2213767-6
	SILVER	GREEN	24V	AV1920E624Q04	5-2213767-5
	GOLD	GREEN	12V	AV1920E612R04	5-2213767-4
	SILVER	GREEN	12V	AV1920E612Q04	5-2213767-3
	GOLD	YELLOW	24V	AV1920E524R04	5-2213767-2
	SILVER	YELLOW	24V	AV1920E524Q04	5-2213767-1
	GOLD	YELLOW	12V	AV1920E512R04	5-2213767-0
	SILVER	YELLOW	12V	AV1920E512Q04	4-2213767-9
GOLD	RED	24V	AV1920E324R04	4-2213767-8	
SILVER	RED	24V	AV1920E324Q04	4-2213767-7	
GOLD	RED	12V	AV1920E312R04	4-2213767-6	
SILVER	RED	12V	AV1920E312Q04	4-2213767-5	
GOLD	WHITE	24V	AV1920E124R04	4-2213767-4	
SILVER	WHITE	24V	AV1920E124Q04	4-2213767-3	
GOLD	WHITE	12V	AV1920E112R04	4-2213767-2	
SILVER	WHITE	12V	AV1920E112Q04	4-2213767-1	

THIS DRAWING IS A CONTROLLED DOCUMENT.		DWN 08FEB2016 NAGALAKSHMI K	 TE Connectivity		
DIMENSIONS: mm [INCHES]		CHK 08FEB2016 HILL RYAN			
TOLERANCES UNLESS OTHERWISE SPECIFIED:		APVD 08FEB2016 HILL RYAN	NAME ANTI-VANDAL SWITCH 19mm MOVING RING LED		
0 PLC ± - 1 PLC ± - 2 PLC ± - 3 PLC ± - 4 PLC ± - ANGLES ± -		PRODUCT SPEC - APPLICATION SPEC -	SIZE A2	CAGE CODE 00779	DRAWING NO C-2213767
MATERIAL -		FINISH -	WEIGHT -	SCALE 1:1	SHEET 4 OF 4
CUSTOMER DRAWING			RESTRICTED TO -	REV B1	