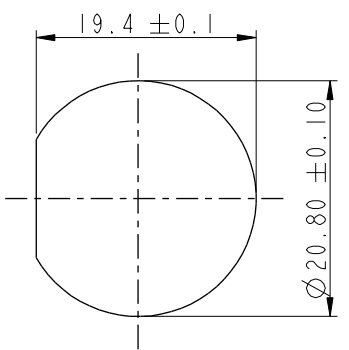
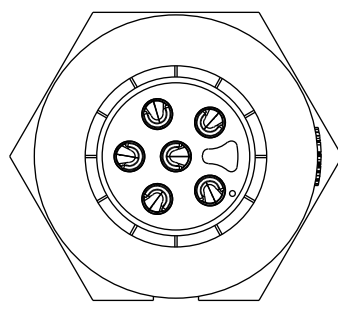


THIS DOCUMENT IS SUBJECT TO CHANGE WITHOUT NOTICE. IT IS CONFIDENTIAL AND A PROPERTY OF Amphenol LTW. DISCLOSURE TO THIRD PARTY HAS TO BE AUTHORIZED BY Amphenol LTW.

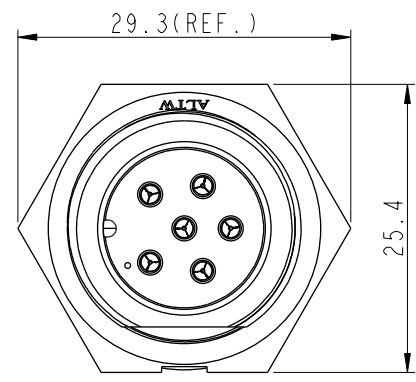
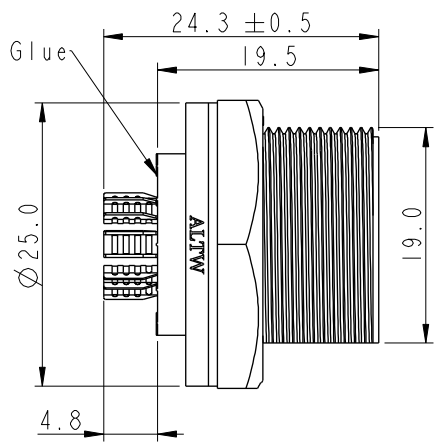
REV.	ECN NO.	DATE	SIGN	DESCRIPTION
B	C190348	2019/03/06	Vicky	Change Note



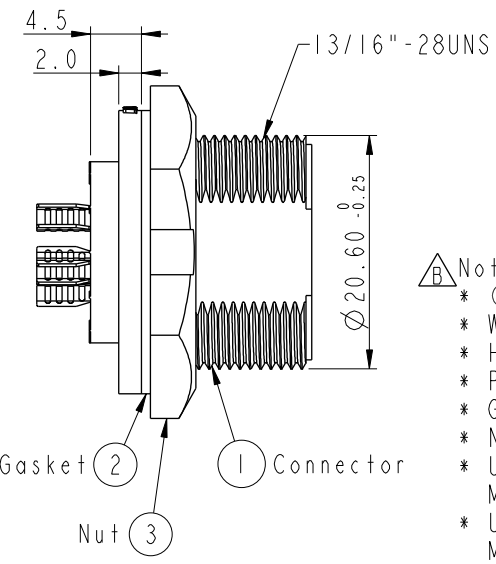
Recommended Panel  
Cut-Out



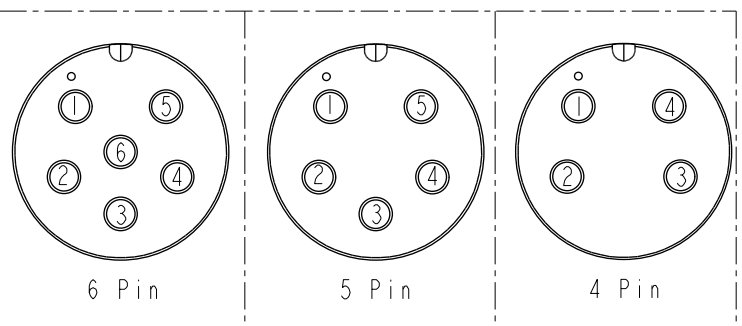
With Liquid Glue



ACB-XXPMS-SC7001  
04: 4Pin  
:  
06: 6Pin



- Note:**
- \* Important Dimension To Check.
  - \* Waterproof Rate: IP67, Unmated.
  - \* Housing: Thermoplastic, Black.
  - \* Pin: Copper Alloy, Gold Plated.
  - \* Gasket: Rubber, Gray.
  - \* Nut: Thermoplastic, Black.
  - \* Use with waterproof cap or dust cap  
Maximum Panel Thickness: 2.3mm
  - \* Use without waterproof cap or dust cap  
Maximum Panel Thickness: 3.5mm
  - \* Gasket and Nut are packed separately in PE bags. (Gasket/Nut 不組裝, 散裝出貨)



Pin Assignments Front View

UNIT: mm		TITLE MIDDLE PANEL SCREW M CONN M PIN			ITEM NO	DRAWN BY Vicky	DATE 2019-03-06
		SCALE 3:2	SIZE A4	SHEET 1 OF 1	DWG NO ACB-XXPMS-SC7001	CHECKED BY Rita	DATE 2019-03-06
TOLERANCE .X ±0.25 .XX ±0.1 .XXX ±0.05 ANGLES ±1°		REV. B	WC-REV. A.2	Inspection item <b>Amphenol LTW</b> <b>安費諾亮泰企業股份有限公司</b>	CUSTOMER ALTW	APPROVED BY Max	DATE 2019-03-06