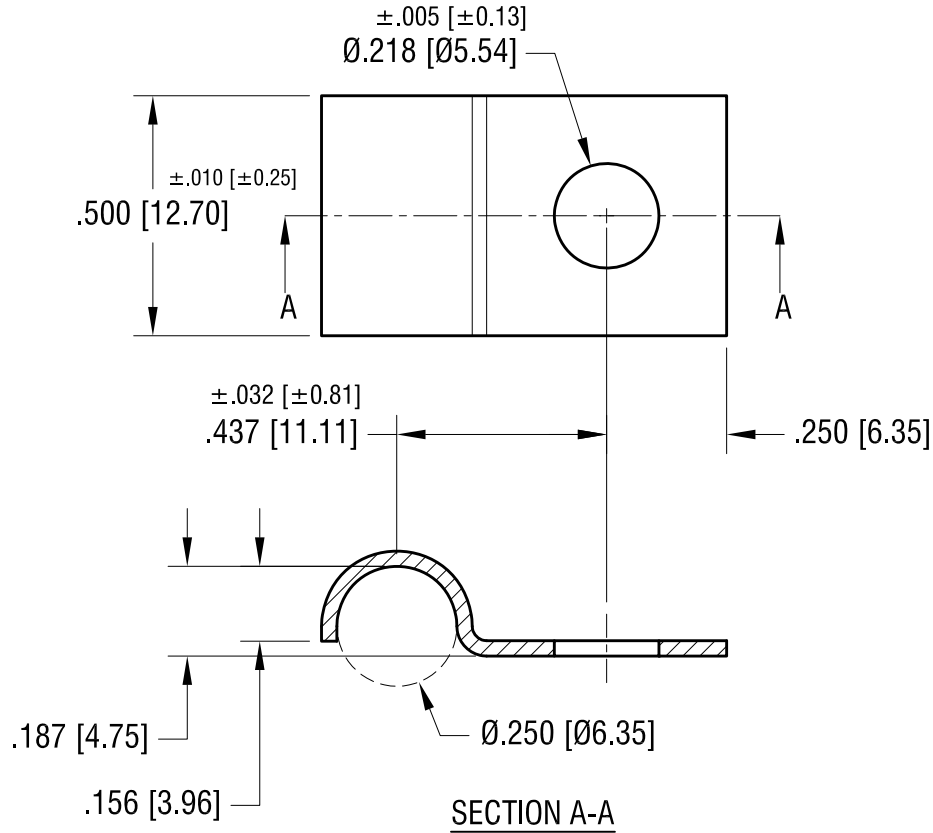
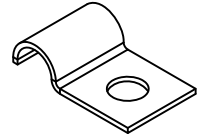


THIS DOCUMENT IS THE PROPERTY OF  
KEYSTONE ELECTRONICS CORP. AND  
SHALL NOT BE REPRODUCED, DISTRIBUTED  
OR USED AS A BASIS FOR MANUFACTURE  
WITHOUT PRIOR WRITTEN PERMISSION  
FROM KEYSTONE ELECTRONICS CORP.

ACTUAL SIZE



**KEYSTONE ELECTRONICS CORP.**

www.keyelco.com • NEW HYDE PARK NY 11040 • Tel (516)328-7500

PART NAME

STEEL HALF CLAMP

MATERIAL

.032 [0.81] TH'K STEEL

FINISH ZINC PLATE  
CLEAR CHROMATE

DRN BY BOONE

DATE 1.25.00

APP'D **MR**

SCALE 2.5X

10.18.06 CHANGE AS PER ECN 06-071

A

TOLERANCES INCH [MM]  
DECIMAL  $\pm .015$  [ $\pm 0.38$ ]  
ANGULAR  $\pm 1^\circ$   
UNLESS OTHERWISE SPECIFIED

CODE

DWG NO.

C

8142

DATE DESCRIPTION

REV.