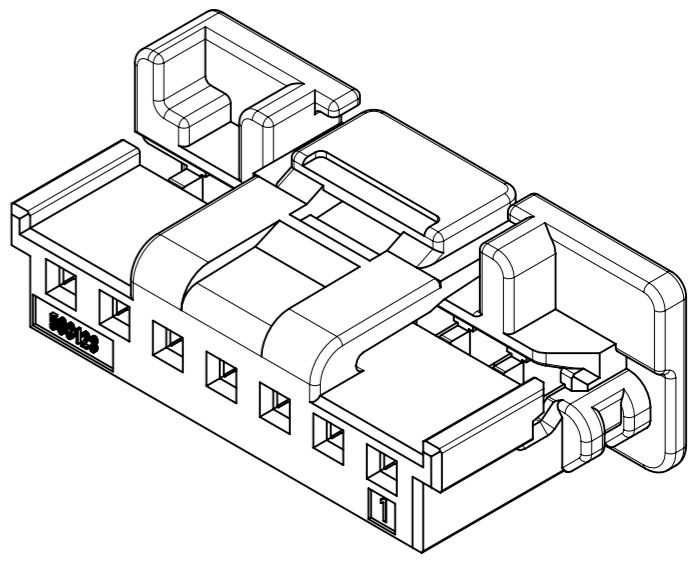
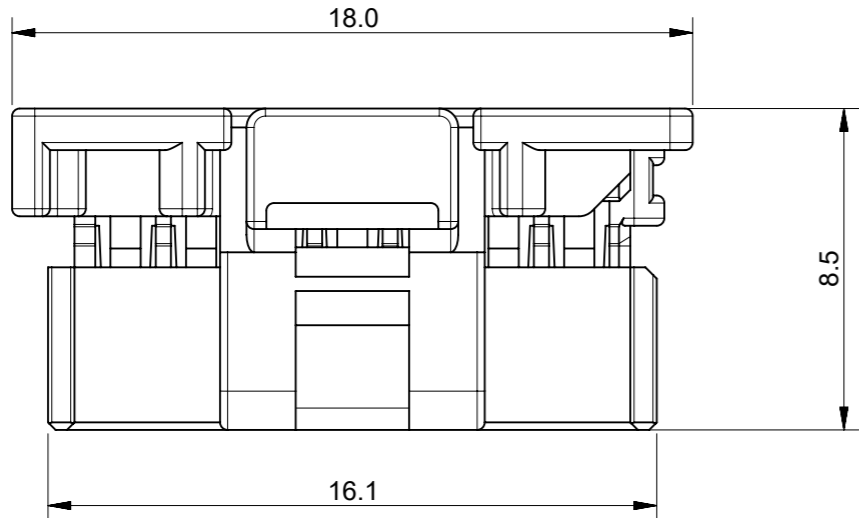
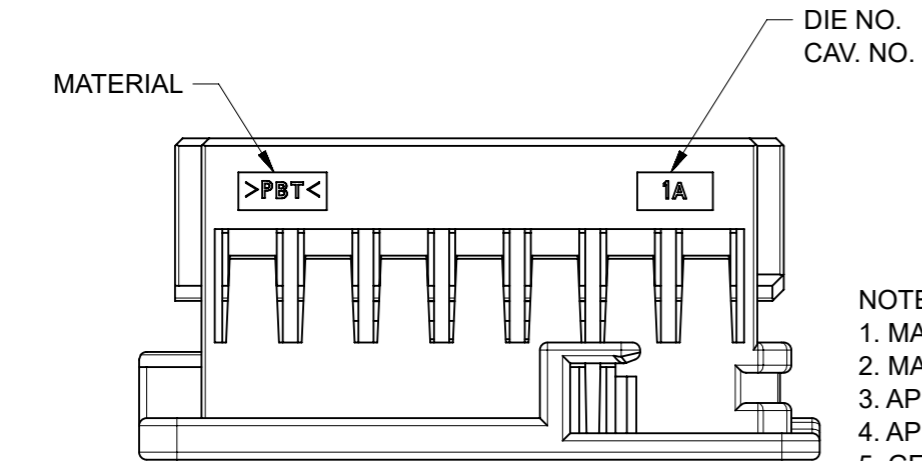
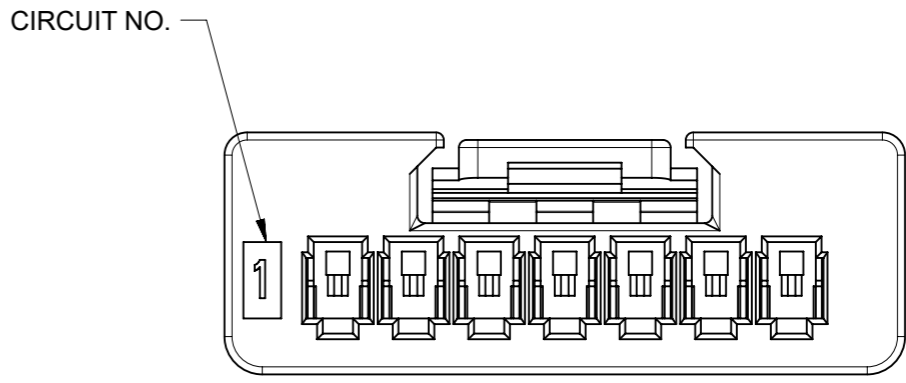
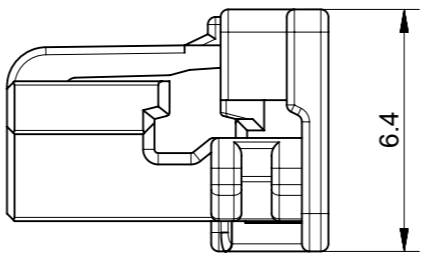
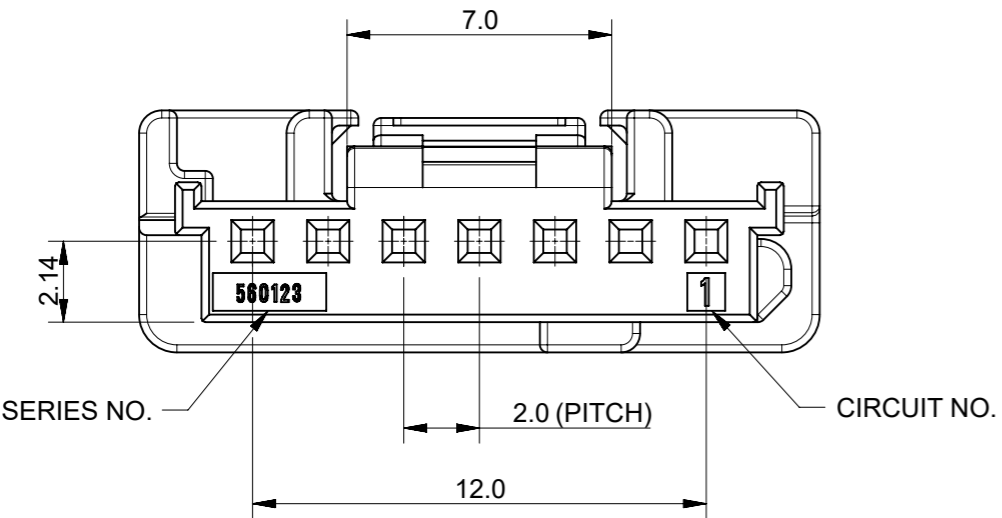


GENERAL TOLERANCE										USED ON
10 MAX	30 MAX	50 MAX	70 MAX	100 MAX	120 MAX	250 MAX	250 OVER	ANGLE	ECCENT	
±0.15	±0.20	±0.30	±0.40	±0.50	±0.75	±0.90	±1.4	±0.5°	0.1	



ISO VIEW



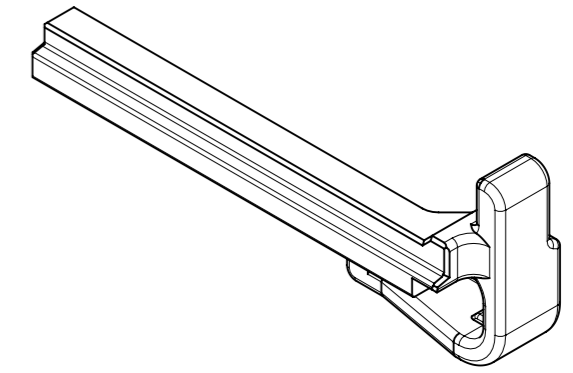
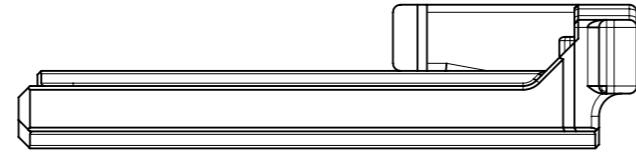
- NOTES:
1. MATERIALS : POLYESTER (PBT), GLASS UNFILLED, UL 94V-0
 2. MATE WITH : 502352, 560020 SERIES
 3. APPLICABLE TERMINAL : 560124 SERIES
 4. APPLICABLE ISL : 560125 SERIES
 5. GENERAL TOLERANCE : SEE TABLE
 6. EVL AND RoHS COMPLIANT
 7. PRODUCT SPECIFICATION : PS-560123-00*
 8. PACKING SPECIFICATION : PK-560123-001

MATERIAL NUMBER

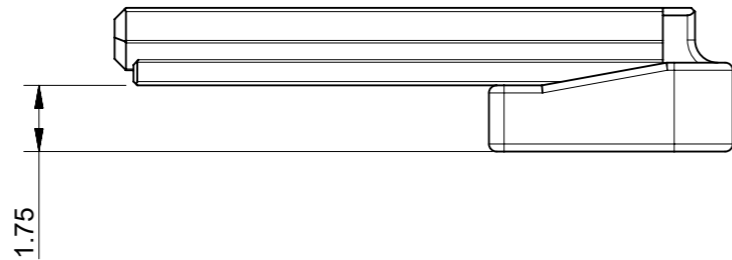
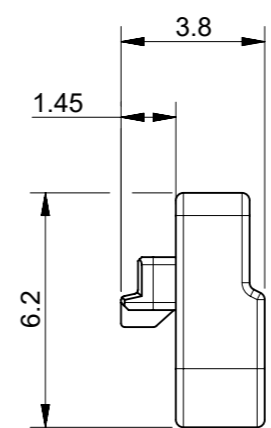
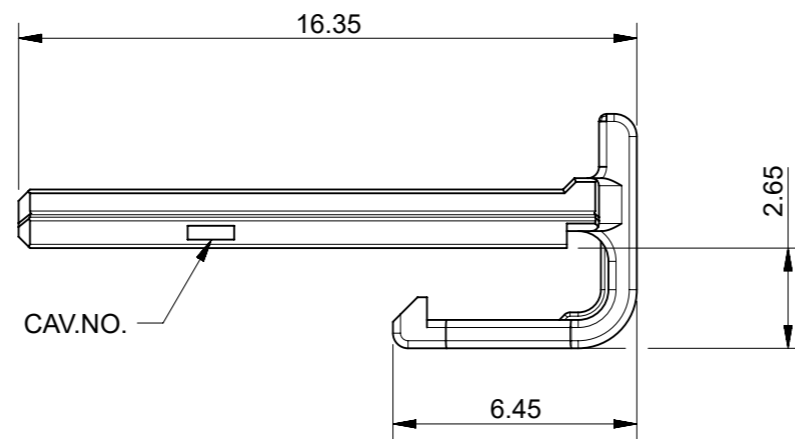
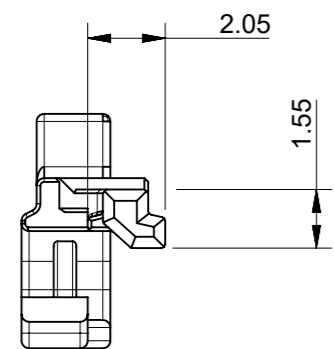
ORDER NO.	MATERIAL NO.	COLOR
560123-0700	5601230700	WHITE
560123-0701	5601230701	BLACK

FUNCTIONAL SYMBOLS	THIS DRAWING CONTAINS INFORMATION THAT IS PROPRIETARY TO MOLEX ELECTRONIC TECHNOLOGIES, LLC AND SHOULD NOT BE USED WITHOUT WRITTEN PERMISSION	CURRENT REV DESC:																																															
	<table border="1"> <tr> <th>FUNCTIONAL SYMBOLS</th> <th>DIMENSION UNITS</th> <th>SCALE</th> </tr> <tr> <td>$\nabla/A = 0$</td> <td>mm</td> <td>5:1</td> </tr> <tr> <td>$\nabla/E = 0$</td> <td colspan="2">GENERAL TOLERANCES (UNLESS SPECIFIED)</td> </tr> <tr> <td>$\nabla/F = 0$</td> <td colspan="2">ANGULAR TOL ± °</td> </tr> <tr> <td rowspan="5">DIVISIONAL SYMBOLS</td> <td>4 PLACES</td> <td>±</td> <td>EC NO: 668822</td> <td>2021/07/01</td> </tr> <tr> <td>3 PLACES</td> <td>±</td> <td>DRWN: SAKIM</td> <td>2021/07/05</td> </tr> <tr> <td>2 PLACES</td> <td>±</td> <td>CHK'D: HIJIMA</td> <td>2021/07/05</td> </tr> <tr> <td>1 PLACE</td> <td>±</td> <td>APPR: HIJIMA</td> <td></td> </tr> <tr> <td>0 PLACES</td> <td>±</td> <td>INITIAL REVISION:</td> <td></td> </tr> <tr> <td colspan="2">DRAFT WHERE APPLICABLE MUST REMAIN WITHIN DIMENSIONS</td> <td>THIRD ANGLE PROJECTION</td> <td>DRAWING</td> <td>SERIES</td> <td>MATERIAL NUMBER</td> <td>CUSTOMER</td> <td>SHEET NUMBER</td> </tr> <tr> <td colspan="2"></td> <td></td> <td>A3-SIZE</td> <td>560123</td> <td>5601230700</td> <td>GENERAL MARKET</td> <td>1 OF 1</td> </tr> </table>	FUNCTIONAL SYMBOLS	DIMENSION UNITS					SCALE	$\nabla/A = 0$	mm	5:1	$\nabla/E = 0$	GENERAL TOLERANCES (UNLESS SPECIFIED)		$\nabla/F = 0$	ANGULAR TOL ± °		DIVISIONAL SYMBOLS	4 PLACES	±	EC NO: 668822	2021/07/01	3 PLACES	±	DRWN: SAKIM	2021/07/05	2 PLACES	±	CHK'D: HIJIMA	2021/07/05	1 PLACE	±	APPR: HIJIMA		0 PLACES	±	INITIAL REVISION:		DRAFT WHERE APPLICABLE MUST REMAIN WITHIN DIMENSIONS		THIRD ANGLE PROJECTION	DRAWING	SERIES	MATERIAL NUMBER	CUSTOMER	SHEET NUMBER			
FUNCTIONAL SYMBOLS	DIMENSION UNITS	SCALE																																															
$\nabla/A = 0$	mm	5:1																																															
$\nabla/E = 0$	GENERAL TOLERANCES (UNLESS SPECIFIED)																																																
$\nabla/F = 0$	ANGULAR TOL ± °																																																
DIVISIONAL SYMBOLS	4 PLACES	±	EC NO: 668822	2021/07/01																																													
	3 PLACES	±	DRWN: SAKIM	2021/07/05																																													
	2 PLACES	±	CHK'D: HIJIMA	2021/07/05																																													
	1 PLACE	±	APPR: HIJIMA																																														
	0 PLACES	±	INITIAL REVISION:																																														
DRAFT WHERE APPLICABLE MUST REMAIN WITHIN DIMENSIONS		THIRD ANGLE PROJECTION	DRAWING	SERIES	MATERIAL NUMBER	CUSTOMER	SHEET NUMBER																																										
			A3-SIZE	560123	5601230700	GENERAL MARKET	1 OF 1																																										

GENERAL TOLERANCE										USED ON
10 MAX	30 MAX	50 MAX	70 MAX	100 MAX	120 MAX	250 MAX	250 OVER	ANGLE	ECCENT	
±0.15	±0.20	±0.30	±0.40	±0.50	±0.75	±0.90	±1.4	±0.5°	0.1	



ISO VIEW



MATERIAL NUMBER

ORDER NO.	MATERIAL NO.	COLOR
560125-0700	5601250700	GRAY

- NOTES:
1. MATERIALS : POLYESTER (PBT)-GF17, UL94 V-0
 2. APPLICABLE HOUSING : 560123 SERIES
 3. GENERAL TOLERANCE : SEE TABLE
 4. EVL AND RoHS COMPLIANT
 5. PRODUCT SPECIFICATION : PS-560123-00*
 6. PACKING SPECIFICATION : PK-560125-001

FUNCTIONAL SYMBOLS	THIS DRAWING CONTAINS INFORMATION THAT IS PROPRIETARY TO MOLEX ELECTRONIC TECHNOLOGIES, LLC AND SHOULD NOT BE USED WITHOUT WRITTEN PERMISSION		CURRENT REV DESC: DRAWING REMASTERED		
	$\nabla_A = 0$ $\nabla_F = 0$ $\nabla_V = 0$	DIMENSION UNITS: mm SCALE: 5:1	GENERAL TOLERANCES (UNLESS SPECIFIED) ANGULAR TOL ± °		
DIVISIONAL SYMBOLS	4 PLACES ±	2020/07/17	2020/07/27		PRODUCT CUSTOMER DRAWING DOCUMENT NUMBER: 5601250700 DOC TYPE: PSD DOC PART: 000 REVISION: A2
	3 PLACES ±	2020/07/27	2020/07/27		
	2 PLACES ±	2019/04/22	2019/05/17		
	1 PLACE ±	INITIAL REVISION:			
	0 PLACES ±	DRWN: SAKIM			
		APPR: YKJUNG			
	DRAFT WHERE APPLICABLE MUST REMAIN WITHIN DIMENSIONS	THIRD ANGLE PROJECTION	DRAWING	SERIES	MATERIAL NUMBER
			A3-SIZE	560125	5601250700
					CUSTOMER
					GENERAL MARKET
					SHEET NUMBER
					1 OF 1