

OUTPUT
Frequency
 10 MHz

Level
 +13 dBm ± 2 dB into 50 ohms

STABILITY
Aging (typical)
 5 x 10⁻¹⁰ per day after 30 days operating.
 5 x 10⁻⁸ second year
 3 x 10⁻⁸ per year, thereafter

Phase Noise L(f)
 10 Hz -126 dBc/Hz
 100 Hz -146 dBc/Hz
 1 kHz -165 dBc/Hz
 10 kHz -165 dBc/Hz

Temperature Stability
 ±2 x 10⁻⁹, 0° to +50°C (Ref +25°C)
 ±5 x 10⁻⁹, -20° to +70°C (Ref +25°C)
 ±1.5 x 10⁻⁸, -55° to +85°C (Ref +25°C)

Harmonics
 ≤ -30 dBc

Spurious
 ≤ -80 dBc

MECHANICAL
Packaging
 Solder sealed steel can
Dimensions
 2" x 2" x 1"

Connectors / Mounting
 SMA(f) and solder pins on side;
 threaded inserts, #4-40, 2 places

POWER REQUIREMENTS
Warm-Up Power
 ≤ 6 Watts for 5 minutes at +25°C

Total Power
 ≤ 3 Watts at +25°C

Supply Voltage
 +15 VDC ±5% to +12 VDC ±5%

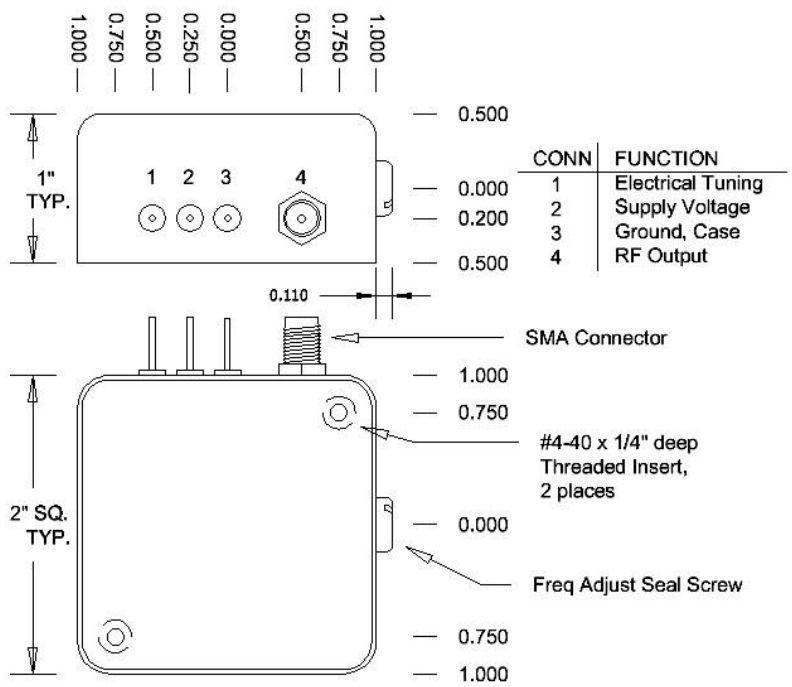
ADJUSTMENT
Mechanical Tuning

±1 x 10⁻⁶
Electrical Tuning
 ±2 x 10⁻⁷, ±5 VDC, Negative slope

CRYSTAL
Type
 10 MHz SC-cut

OTHER
Label
 Label as follows:
 501-33923
 10 MHz
 +12/+15 VDC
 SN – Date Code

REV	DATE	REVISION RECORD	DWN	AUTH
-	11-05-13	Initial Release	BH	LR



Connector numbers are for reference only,
 they are not marked on unit.

Wenzel Associates, Inc.
 Austin, Texas

Title:
10 MHz-SC Streamline Crystal Oscillator

P/N: 501-33923	Rev: -	Date: 04-28-21	Drawn:	Ref: 27501
--------------------------	-----------	--------------------------	--------	----------------------

Tolerances: (except as noted) Dimensions are in inches	0.XX Dec: ±0.030"	0.XXX Dec: ±0.010"	FSCM: 62821	Page 1 of 1
--	-----------------------------	------------------------------	-----------------------	-------------