

THIS DRAWING IS UNPUBLISHED.

RELEASED FOR PUBLICATION

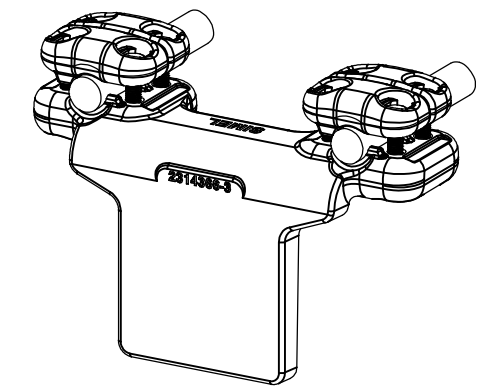
---

REVISIONS

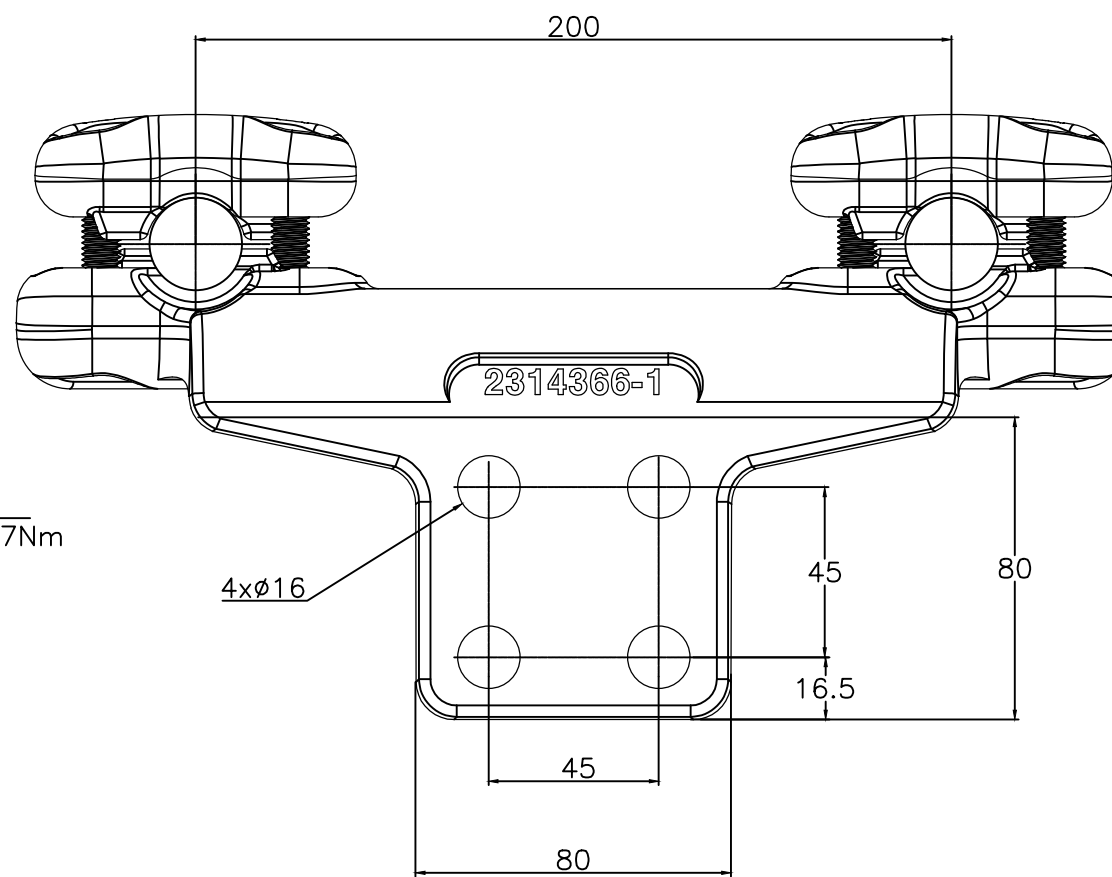
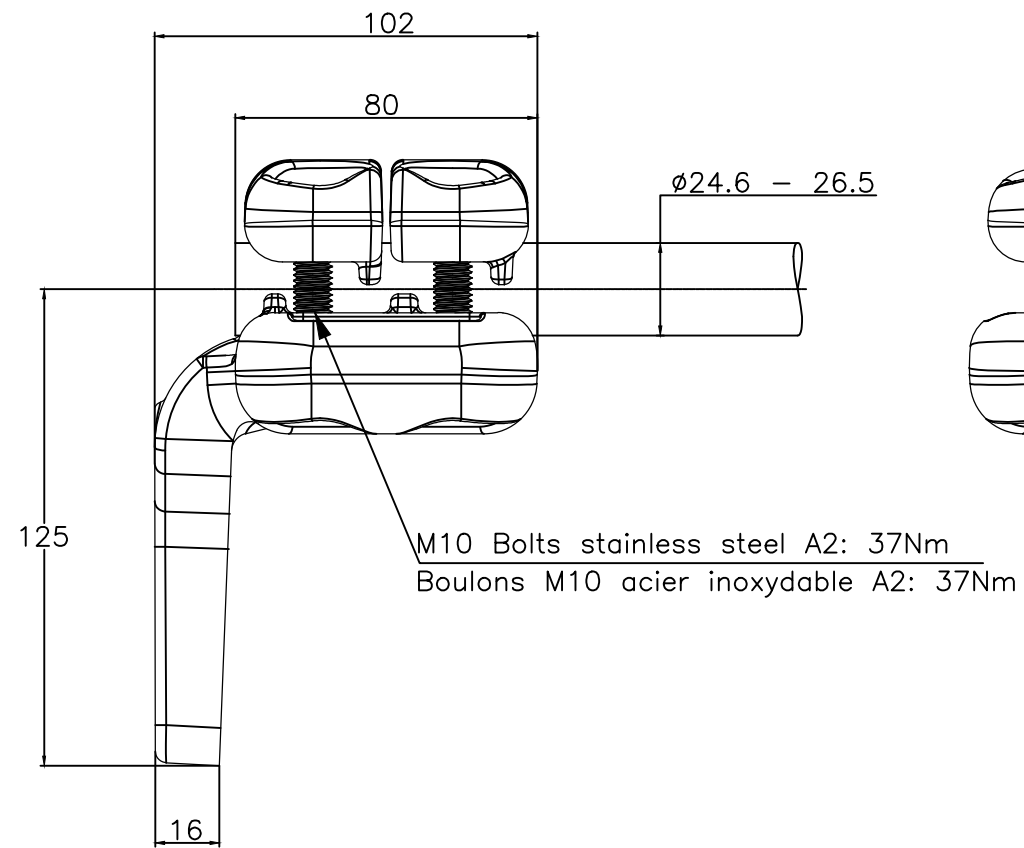
© COPYRIGHT - By -

ALL RIGHTS RESERVED.

P	LTR	DESCRIPTION	DATE	DWN	APVD
	A	CREATION	27-JUN-18	GL	-



No scale - sans echelle



THIS DRAWING IS A CONTROLLED DOCUMENT.		DWN	27-JUN-18		 TE Connectivity
		CHK	-		
		APVD	-		
		PRODUCT SPEC	-		
DIMENSIONS: mm		TOLERANCES UNLESS OTHERWISE SPECIFIED:		NAME	
		0 PLC ± -		90° PAD CONNECTOR FOR TWIN CONDUCTORS	
		1 PLC ± -		RACCORD A PLAGE EQUERRE POUR FAISCEAU DOUBLE	
		2 PLC ± -		5 PE 82 F S265 E200 80 C124	
		3 PLC ± -			
		4 PLC ± -		SIZE	
		4 PLC ANGLES ± -		CAGE CODE	
		FINISH		DRAWING NO	
MATERIAL		-		RESTRICTED TO	
		-		-	
		APPROX. WEIGHT		A3 -	
		2.5 kg		C=2338682	
		CUSTOMER DRAWING		SCALE 1/2	
				SHEET 1 OF 1	
				REV A	

ITEM:.....