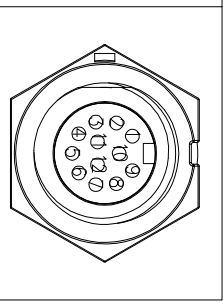
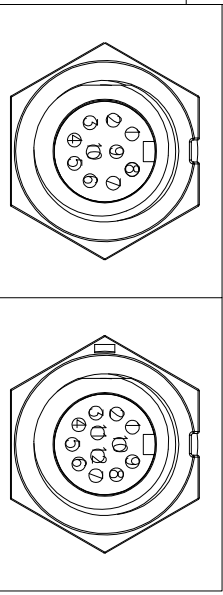
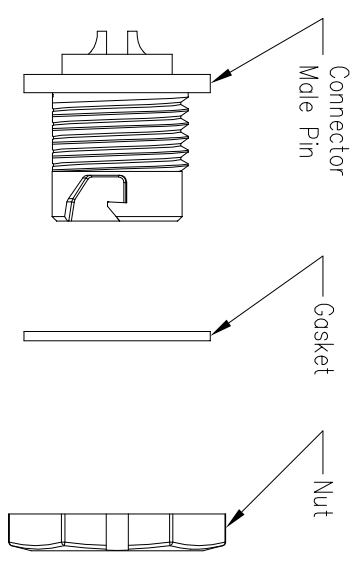
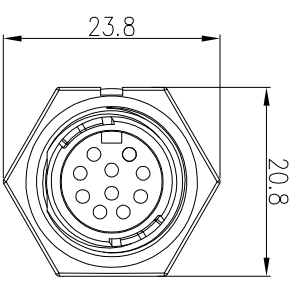
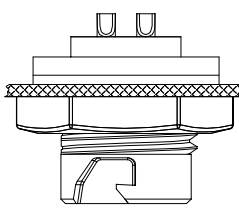
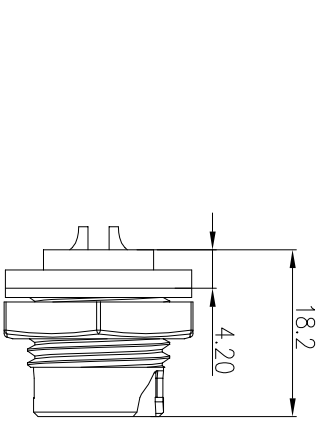
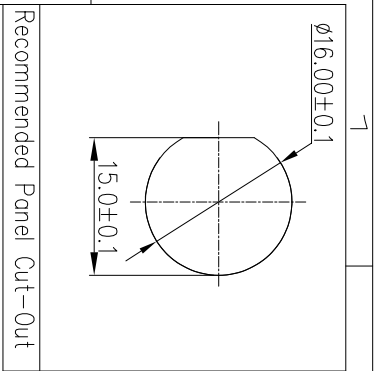


REV.	EN. NO.	DESCRIPTION	SIGN	DATE
C1	N/A	INITIAL DRAWING	Liu	2019/08/13



P/N: 22010535-01
P/N: 22012535-01

Pin Assignments Front View



DESCRIPTION
Standard Series Push Lock
Front Mount With Male Pin

UNIT: mm
TOLERANCE
X ±0.25
XX ±0.15
XXX ±0.05
ANGLES ±1°

SCALE: 1:1
REV: C1
SIZE: A4
SHEET: 1 OF 1
*: Inspection Item

CHOGORI

- Specification:
1. Operation Temperature: -45°C~105°C.
 2. Insulation Resistance: 100MΩ at DC500V.
 3. Contact Resistance: <10mΩ.
 4. Withstand Voltage: 1000V AC
 5. Operating Current: 2A
 6. Operating Voltage: AC 30V
 7. Waterproof Rate: IP67 (Mated)
 8. Housing: Nylon, Black
 9. Male Pin: Copper Alloy, Gold Plated
 10. Gasket: Silicon Gray
 11. Panel Nut: Nylon, Orange
 12. RoHS Compliant.
 13. Torque Rate: 0.8~1.0N•m
 14. Mating Cap P/N: 806-00053-00

PART NO	DRAWN BY	DATE
22XXXX535-01	Liu	2019/08/13
DWG NO	CHECKED BY	DATE
	Mo	2019/08/13
CUSTOMER	APPROVED BY	DATE
	Ponson	2019/08/13