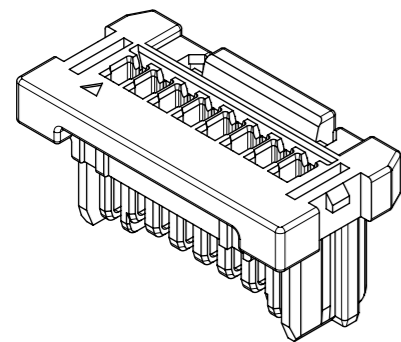


NOTE



- 1. 適合ターミナル: 201649
APPLICABLE TERMINAL: 201649
- 2. 嵌合相手: 201648
MATE WITH: 201648

△ 3 極数=偶数 に適用
APPLY FOR CKT. SIZE = EVEN

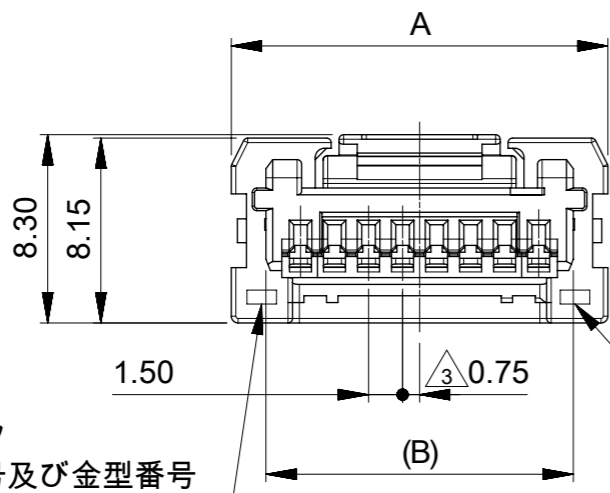
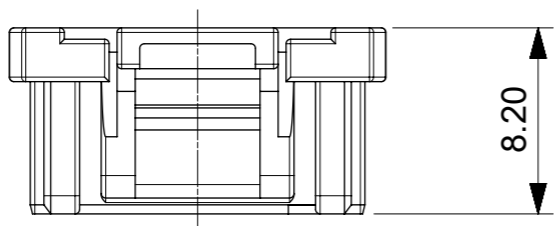
- 4. コネクタの詳細な取扱いにつきましては、アプリケーション仕様書 (2016440000 PS A**) を参照してください
PLEASE REFER TO THE APPLICATION SPECIFICATION (2016440000 PS A**) ABOUT THE DETAILED HANDLING OF THE CONNECTOR.

- 5. コネクタの仕様につきましては、製品仕様書(2016470000 PS 0**)を参照してください
PLEASE REFER TO THE PRODUCT SPECIFICATION (2016470000 PS 0**) ABOUT THE DETAILED HANDLING OF THE CONNECTOR

7. 製品番号 MATERIAL NO.

201647 2***

極数 CIRCUIT SIZE	色 COLOR	NO.	COLOR
		0	NATURAL
		1	BLACK
		2	RED
		3	YELLOW
		4	BLUE

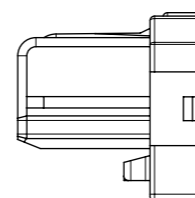
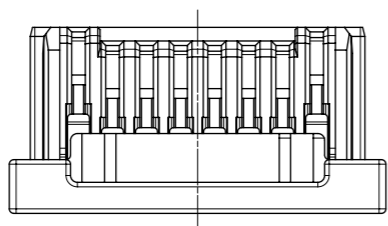


偶数cav:トレードマーク
奇数cav:キャビティ番号及び金型番号

EVEN CAVITY: TRADE MARK
ODD CAVITY: CAVITY & MOLD NO.

偶数cav:キャビティ番号及び金型番号
奇数cav:トレードマーク

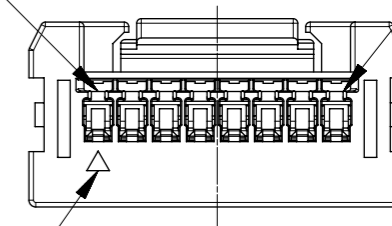
EVEN CAVITY: CAVITY & MOLD NO.
ODD CAVITY: TRADE MARK



回路番号1
CKT NO.1

回路番号 N
CKT NO.N

回路番号1マーク
CKT NO.1 MARK

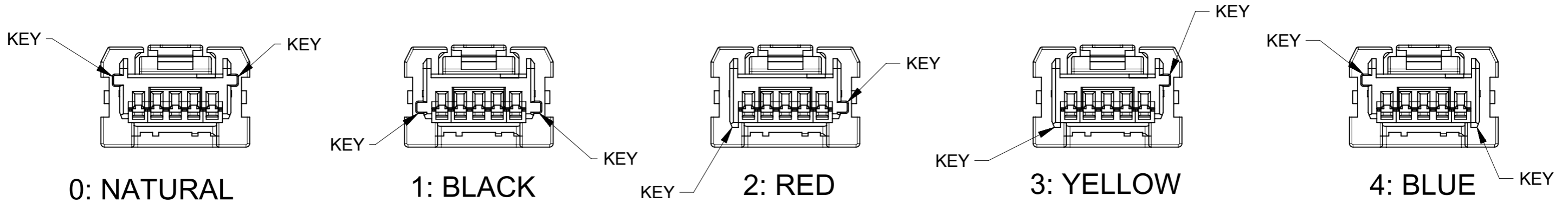


THIS DRAWING CONTAINS INFORMATION THAT IS PROPRIETARY TO MOLEX ELECTRONIC TECHNOLOGIES, LLC AND SHOULD NOT BE USED WITHOUT WRITTEN PERMISSION									
DIMENSION UNITS mm		SCALE 3:1		CURRENT REV DESC:					
GENERAL TOLERANCES (UNLESS SPECIFIED)		ANGULAR TOL ± 3.0 °		EC NO: 606548 DRWN: KUSATO 2018/10/25 CHK'D: AIDA 2018/10/26 APPR: TKANEKO 2018/10/26					
4 PLACES ± 0.2		3 PLACES ± 0.2		INITIAL REVISION:				PRODUCT CUSTOMER DRAWING	
2 PLACES ± 0.2		1 PLACE ± 0.2		DRWN: MIKEDA01 2017/01/27 APPR: TKANEKO 2017/02/15				DOCUMENT NUMBER 2016470000	
0 PLACES ± 0.2		THIRD ANGLE PROJECTION		DRAWING A3-SIZE		SERIES 201647		MATERIAL NUMBER 2016472***	
DRAFT WHERE APPLICABLE MUST REMAIN WITHIN DIMENSIONS		THIRD ANGLE PROJECTION		DRAWING A3-SIZE		SERIES 201647		CUSTOMER GENERAL	
								SHEET NUMBER 1 OF 2	

部品 PART	材質 MATERIAL
ハウジング HOUSING	ポリエステル(PBT)、UL94 V-0, 色: 注記参照 POLYESTER(PBT), UL94 V-0, COLOR: SEE NOTE
DOCUMENT STATUS	P1
RELEASE DATE	2018/10/26 09:14:37

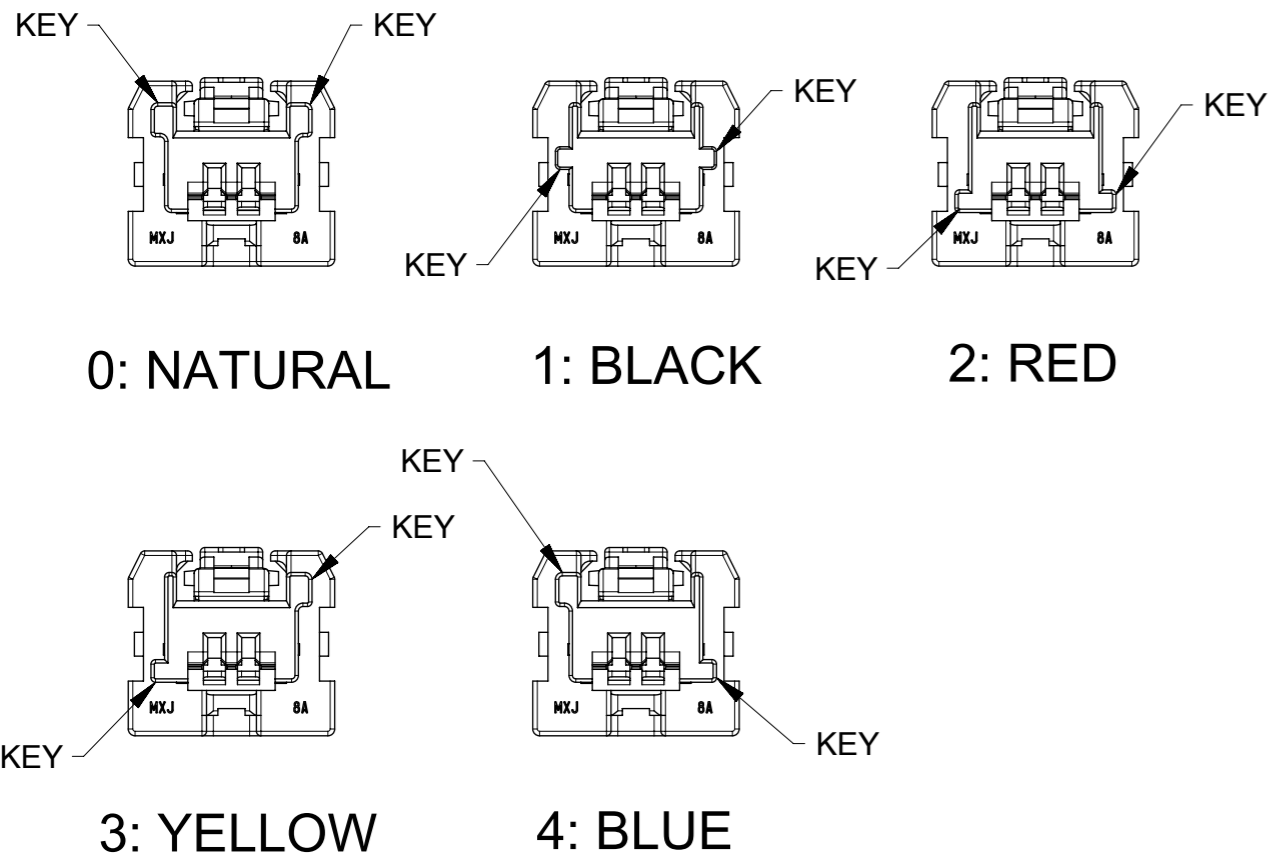
5極以上 カラーキー形状

5CKT OR MORE COLOR KEY FIGURATION



2-4極 カラーキー形状

2~4CKT COLOR KEY FIGURATION



		BLUE	YELLOW	RED	BLACK	NATURAL	HSG COLOR
25.55	28.60				2016472161	2016472160	16
24.05	27.10				2016472151	2016472150	15
22.55	25.60				2016472141	2016472140	14
21.05	24.10				2016472131	2016472130	13
19.55	22.60				2016472121	2016472120	12
18.05	21.10				2016472111	2016472110	11
16.55	19.60				2016472101	2016472100	10
15.05	18.10				2016472091	2016472090	9
13.55	16.60				2016472081	2016472080	8
12.05	15.10				2016472071	2016472070	7
10.55	13.60				2016472061	2016472060	6
9.05	12.10	2016472054	2016472053	2016472052	2016472051	2016472050	5
8.90	12.10	2016472044	2016472043	2016472042	2016472041	2016472040	4
7.40	10.60	2016472034	2016472033	2016472032	2016472031	2016472030	3
5.90	9.10	2016472024	2016472023	2016472022	2016472021	2016472020	2
B	A	ポリ袋 POLYBAG PKG	ポリ袋 POLYBAG PKG	ポリ袋 POLYBAG PKG	ポリ袋 POLYBAG PKG	ポリ袋 POLYBAG PKG	極数 CKT NO
		オーダー番号 ORDER NO.	オーダー番号 ORDER NO.	オーダー番号 ORDER NO.	オーダー番号 ORDER NO.	オーダー番号 ORDER NO.	

THIS DRAWING CONTAINS INFORMATION THAT IS PROPRIETARY TO MOLEX ELECTRONIC TECHNOLOGIES, LLC AND SHOULD NOT BE USED WITHOUT WRITTEN PERMISSION

DIMENSION UNITS mm	SCALE 20:1	CURRENT REV DESC:		
GENERAL TOLERANCES (UNLESS SPECIFIED)		molex		
ANGULAR TOL	± 3.0°	SPOT-ON 1.5 SINGLE RECEPTACLE HSG		
4 PLACES	± 0.2	PRODUCT CUSTOMER DRAWING		
3 PLACES	± 0.2	DOCUMENT NUMBER		
2 PLACES	± 0.2	2016470000		
1 PLACE	± 0.2	DOC TYPE		
0 PLACES	± 0.2	PSD		
DRAFT WHERE APPLICABLE MUST REMAIN WITHIN DIMENSIONS		THIRD ANGLE PROJECTION	DRAWING	SHEET NUMBER
		A3-SIZE	201647	2 OF 2

EC NO: 606548
 DRWN: KUSATO 2018/10/25
 CHK'D: AIDA 2018/10/26
 APPR: TKANEKO 2018/10/26

INITIAL REVISION:
 DRWN: MIKEDA01 2017/01/27
 APPR: TKANEKO 2017/02/15

MATERIAL NUMBER: 2016472***
 CUSTOMER: GENERAL