

THIS DRAWING IS UNPUBLISHED.

RELEASED FOR PUBLICATION

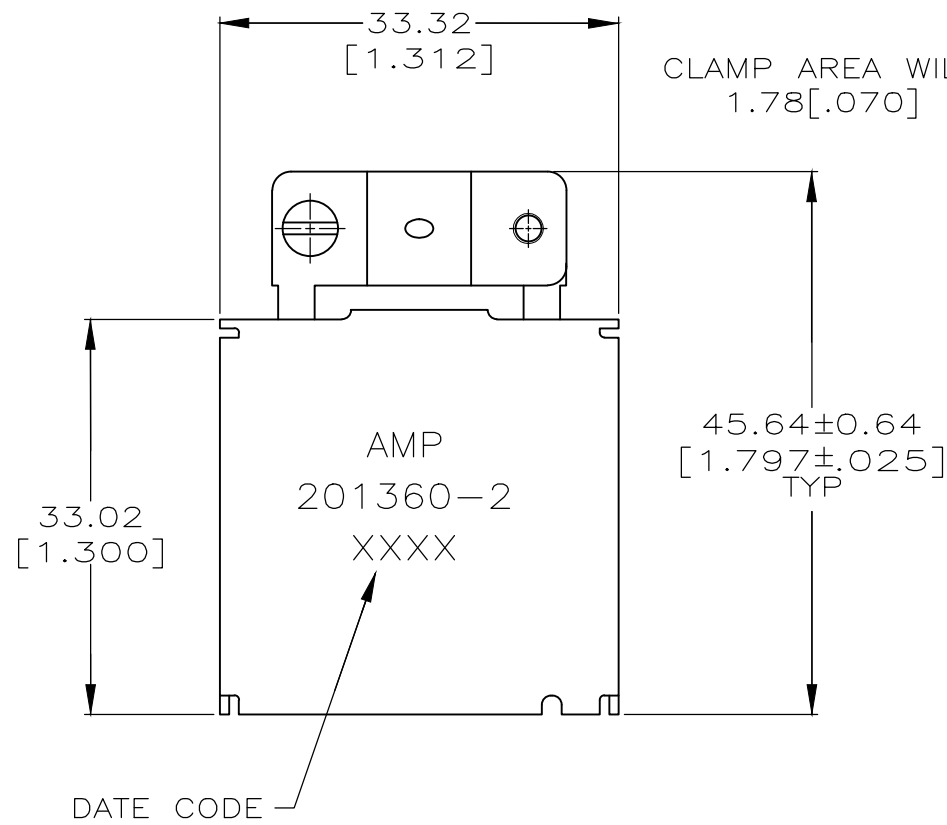
-. - .

REVISIONS

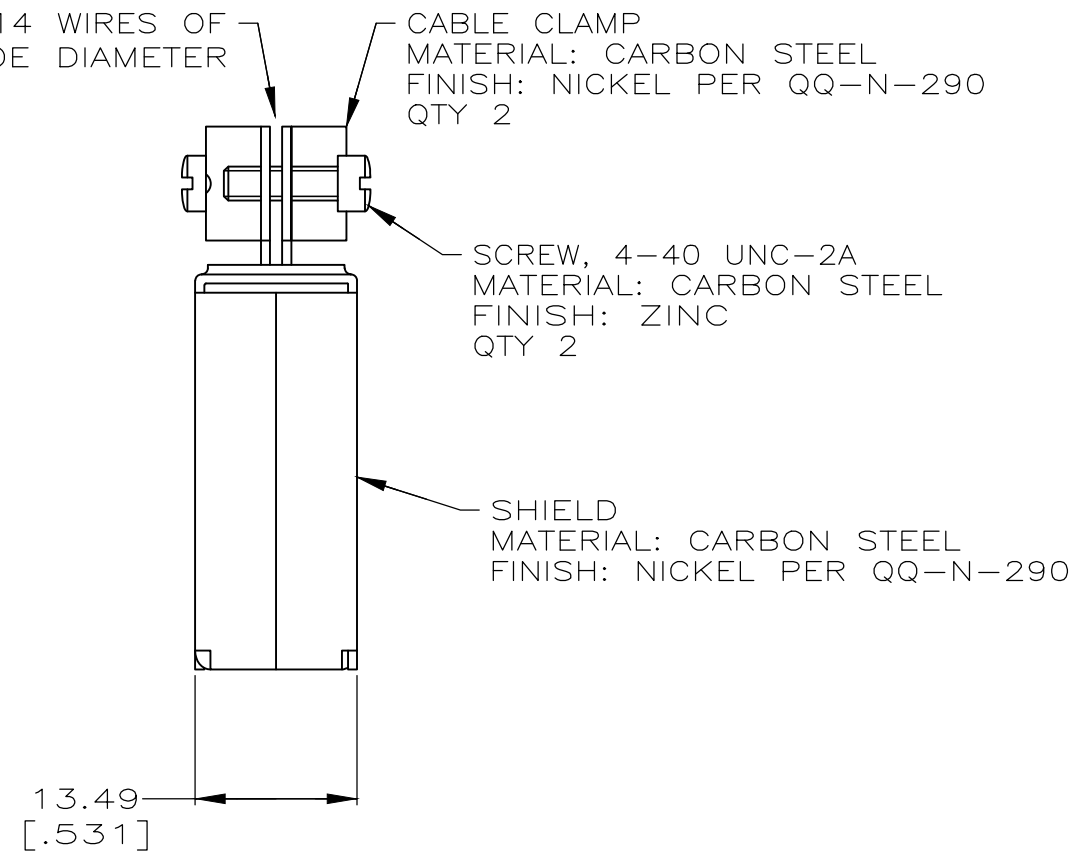
© COPYRIGHT - TE Connectivity Ltd.

ALL RIGHTS RESERVED.

P	LTR	DESCRIPTION	DATE	DWN	APVD
	N	REVISED PER ECO-18-007239	18MAY2018	KH	MZ



CLAMP AREA WILL ACCEPT 14 WIRES OF
1.78[.070] MAX OUTSIDE DIAMETER



201360-2

PART
NUMBER

THIS DRAWING IS A CONTROLLED DOCUMENT.		DWN C.OBERMAN 25 SEP 95	STE TE Connectivity Ltd.		
DIMENSIONS: mm [INCHES]		CHK R.STONE 25 SEP 95			
TOLERANCES UNLESS OTHERWISE SPECIFIED:		APVD G.A.STEINHAUER 05 NOV 95	NAME SHIELD KIT, UNASSEMBLED, SHORT 14 POSITION, M SERIES		
0 PLC ± -		PRODUCT SPEC	SIZE		
1 PLC ± -		APPLICATION SPEC	CAGE CODE		
2 PLC ± 0.38[.015]		WEIGHT	DRAWING NO		
3 PLC ± -		MATERIAL SEE CALLOUTS	RESTRICTED TO		
4 PLC ± -			A300779 C-201360		
ANGLES ± -		CUSTOMER DRAWING		SCALE	SHEET
FINISH SEE CALLOUTS		0		2:1	1 OF 1
				REV	N