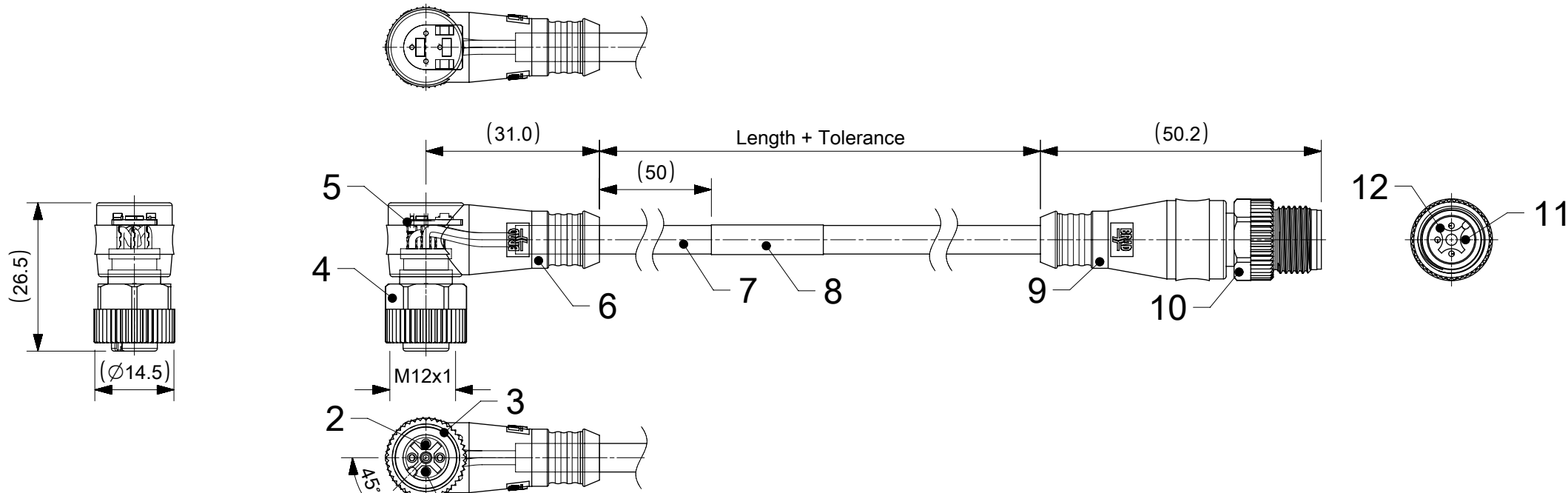
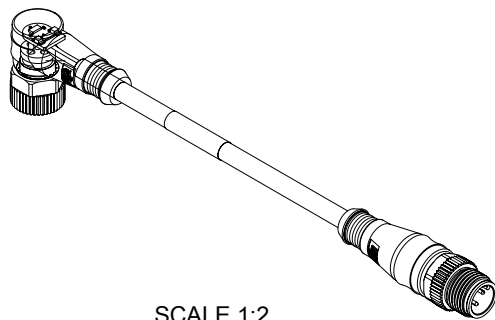
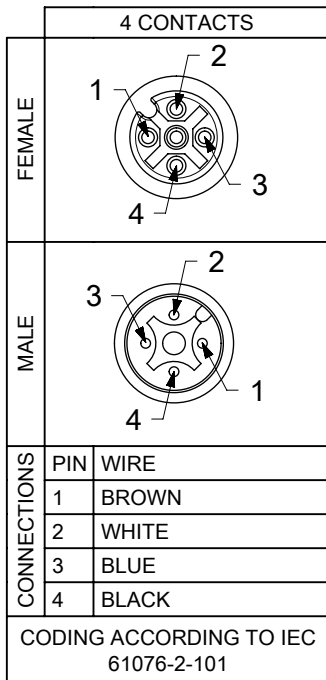


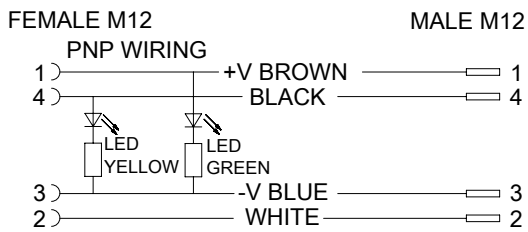
FEMALE PNP PLUG M12 90° ANGLED TO MALE PLUG M12 STRAIGHT



CONTACTS POSITION FRONT VIEW:



WIRING DIAGRAM



FOR OPTIONS SEE - NUMERICAL CODE - ON SHEET 2

ITEM	QTY.	DESCRIPTION	MATERIAL	FINISH
13	SEE SHEET 2	I/D CARRIER	PVC	TRANSPARENT
12	1	INSERT 4P MALE BLACK	TPU	---
11	4	CONTACT M12 MALE	COPPER	SELECTIVE GOLD OVER NICKEL
10	1	COUPLING NUT MALE SW13	SEE SHEET 2	SEE SHEET 2
9	-	OVERMOULDING BLACK	TPU	---
8	1	LABEL YELLOW	VINYL	---
7	-	CABLE	SEE SHEET 2	---
6	-	OVERMOULDING TRANSPARENT	TPU	---
5	1	PCB PNP	---	---
4	1	COUPLING NUT FEMALE SW13	SEE SHEET 2	SEE SHEET 2
3	1	ORING RED	FPM	---
2	1	INSERT 4P FEMALE BLACK	PUR	---
1	4	CONTACT M12 FEMALE	BRONZE	SELECTIVE GOLD OVER NICKEL

SYMBOLS		THIS DRAWING CONTAINS INFORMATION THAT IS PROPRIETARY TO MOLEX ELECTRONIC TECHNOLOGIES, LLC AND SHOULD NOT BE USED WITHOUT WRITTEN PERMISSION		CURRENT REV DESC:											
DIMENSION UNITS		SCALE		GENERAL TOLERANCES (UNLESS SPECIFIED)						CSE M12 PNP 4P AC FE RA WSOR MA STR XM					
∇	= 0	mm	1:1	ANGULAR TOL \pm 1.0°		PRODUCT CUSTOMER DRAWING									
∇	= 0			4 PLACES \pm		DOCUMENT NUMBER									
∇	= 0			3 PLACES \pm		1200678420									
∇	= 0			2 PLACES \pm 0.05		DOC TYPE DOC PART REVISION									
∇	= 0			1 PLACE \pm 0.3		PSD 000 A3									
∇	= 0			0 PLACES \pm 0.5		SHEET NUMBER									
\square	= 0	DRAFT WHERE APPLICABLE MUST REMAIN WITHIN DIMENSIONS		THIRD ANGLE PROJECTION		DRAWING		SERIES		MATERIAL NUMBER		CUSTOMER		SHEET NUMBER	
∇	= 0			A4-SIZE		120067		SEE SHEET 2		GENERAL MARKET		1 OF 2			

ENGINEERING NO. - NUMERICAL CODE (Available parts see PART LIST table. Other parts available upon request).

OPTIONS

8 8 4 0 P 7 B X X M X X X X

88=M12x1
Double ended
Micro-Change

Contacts:
4=4 Contacts

Heads style:
0P7=Plug Female PNP 90°
to Plug Male Straight

Cable type: See Table

Units:
M=Meter

Length
Examples:
005=0.5 units
010=1 units
100=10 units

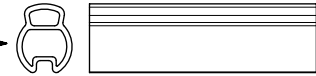
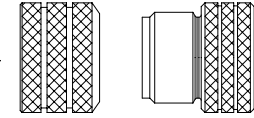
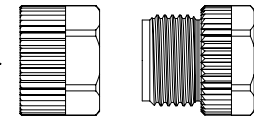
Overmold color:
Blank (Standard)=Black
Y=Yellow

Coupling Nut:
Blank (Standard)=Knurled/Hex Brass, Ni Plated
7=Knurled Brass Ni Plated, Teflon Coated

H= 2 pcs. of I/D Carrier PVC Transparent
(Cables B36 always with 2 pcs. I/D Carrier)

COUPLING NUTS

FEMALE MALE



CABLE INFORMATION (for more information see Cable Data Sheet).

CABLE TYPE	NO. OF WIRES	CROSS SECTION	CABLE JACKET	UL	CSA	STATIC: TEMP. / BENDING RADIUS	DYNAMIC: TEMP. / BENDING RADIUS	DRAG CHAIN: TEMP. / BENDING RADIUS	DRAG CHAIN	CABLE PRODUCT SPECIFICATION	CABLE SPEC. DRAWING	OTHER INFORMATION
B30	4	0.34mm ²	TPU Based, Black	UL 21215/758	C22.2 I/II A/B 80°/600V	-40°C to +90°C >5xO.D.	-25°C to +80°C >7.5xO.D.	-5°C to +60°C >7.5xO.D.	up to 5 000 000 cycles at temp 20°C	1552200001	SD-120209-001	WSOR
B36	4	0.34mm ²	TPU Based, Orange									

PART LIST

No.	Molex P/N	Engineering no.	Cable Length (mm)	No.	Molex P/N	Engineering no.	Cable Length (mm)
1	1200678420	8840P7B30M010	1000	21	1200678523	8840P7B36M0307H	3000
2	1200678421	8840P7B30M020	2000	22	1200678524	8840P7B36M0057H	500
3	1200678422	8840P7B30M050	5000	23	1200678525	8840P7B36M0157H	1500
4	1200678427	8840P7B30M100	10000	24	1200678526	8840P7B36M0507H	5000
5	1200678477	8840P7B30M030	3000	25	1200678527	8840P7B36M1007H	10000
6	1200678479	8840P7B36M0207Y	2000	26			
7	1200678487	8840P7B30M0067	600	27			
8	1200678488	8840P7B30M0207	2000	28			
9	1200678496	8840P7B36M0107Y	1000	29			
10	1200678497	8840P7B36M0307Y	3000	30			
11	1200678498	8840P7B36M0507Y	5000	31			
12	1200678499	8840P7B36M1007Y	10000	32			
13	1200678500	8840P7B36M1507Y	15000	33			
14	1200678501	8840P7B36M2007Y	20000	34			
15	1200678511	8840P7B30M006	600	35			
16	1200678512	8840P7B30M015	1500	36			
17	1200678532	8840P7B36M0067Y	600	37			
18	1200678538	8840P7B36M0257H	2500	38			
19	1200678521	8840P7B36M0107H	1000	39			
20	1200678522	8840P7B36M0207H	2000	40			

CABLE LENGTH TOLERANCES

LENGTH	TOLERANCE
0m-1m	+40 mm
>1m-5m	+60 mm
>5m-10m	+80 mm
>10m-20m	+140 mm
>20m-30m	+160 mm
>30m	+1% length

NOTES:

CURRENT RATING: 4A
VOLTAGE RATING: 10 - 30 VDC
PROTECTION CLASS: IP 67
TEMPERATURE: -25°C / +85°C

THIS DRAWING CONTAINS INFORMATION THAT IS PROPRIETARY TO MOLEX ELECTRONIC TECHNOLOGIES, LLC AND SHOULD NOT BE USED WITHOUT WRITTEN PERMISSION												
SYMBOLS		DIMENSION UNITS		SCALE		CURRENT REV DESC:						
∇ = 0	mm	1:1		EC NO: 627217								
∇ = 0	GENERAL TOLERANCES (UNLESS SPECIFIED)			DRWN: MDHARMANTI 2019/10/18								
∇ = 0	ANGULAR TOL ± 1.0°			CHK'D: RSILLER 2019/11/12								
∇ = 0	4 PLACES ±			APPR: RSILLER 2019/11/12								
∇ = 0	3 PLACES ±			INITIAL REVISION:								
∇ = 0	2 PLACES ± 0.05			DRWN: JMARSZALEK 2016/09/15								
∇ = 0	1 PLACE ± 0.3			APPR: RSILLER 2016/10/04								
∇ = 0	0 PLACES ± 0.5			DOCUMENT NUMBER		DOC TYPE		DOC PART		REVISION		
∇ = 0	DRAFT WHERE APPLICABLE MUST REMAIN WITHIN DIMENSIONS			1200678420		PSD		000		A3		
∇ = 0	THIRD ANGLE PROJECTION		DRAWING		SERIES		MATERIAL NUMBER		CUSTOMER		SHEET NUMBER	
∇ = 0	A4-SIZE		120067		SEE PART LIST		GENERAL MARKET		2 OF 2			

DOCUMENT STATUS	P1	RELEASE DATE	2019/11/12	07:55:56
-----------------	----	--------------	------------	----------