

MATERIALS AND FINISHES

BODY ZINC ALLOY
PLATED TIN

SMB BODY BRASS
PLATED NICKEL

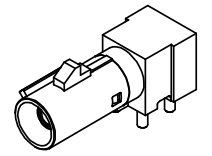
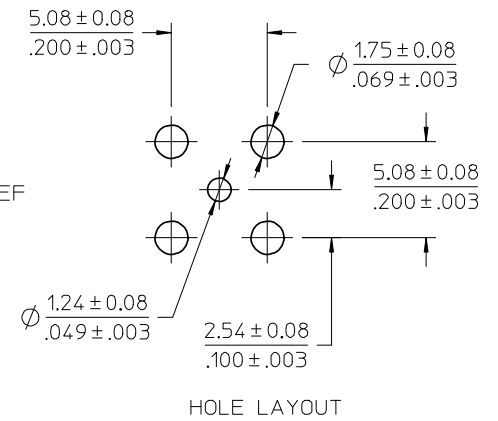
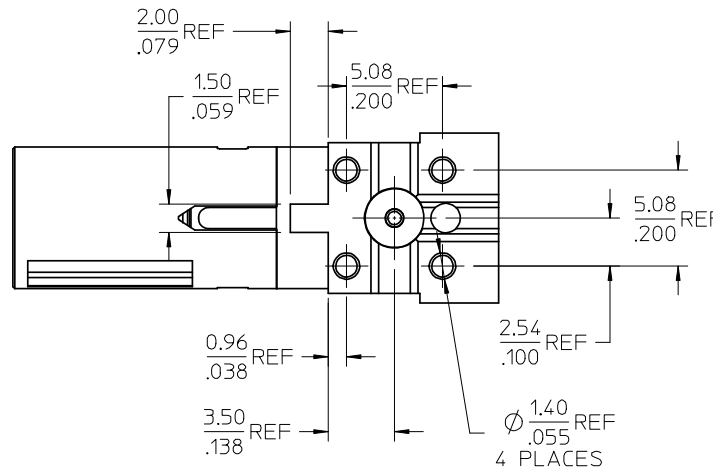
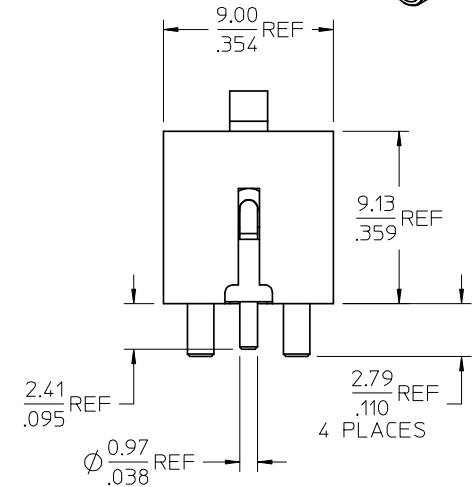
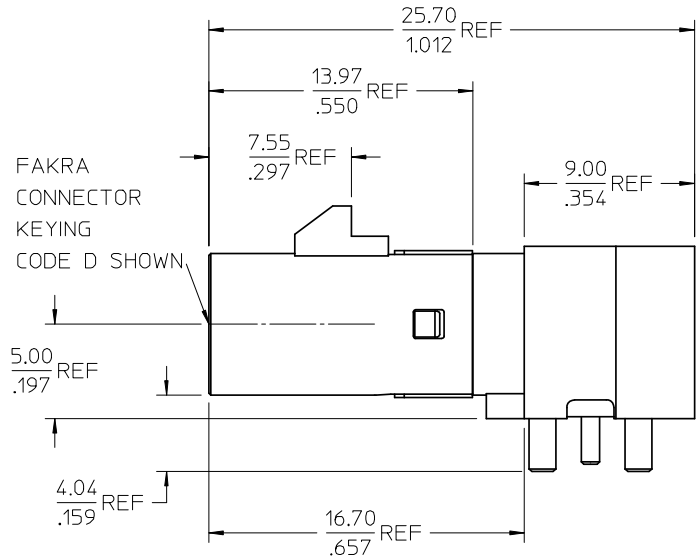
CENTER CONTACT PHOSPHOR BRONZE
PLATED GOLD

OUTER CASING HIGH TEMPERATURE PLASTIC
KEYING SEE TABLE
COLOR SEE TABLE

INSULATOR TEFLON

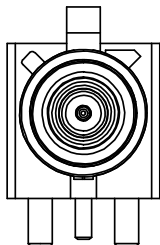
RETENTION SPECIFICATION:

THE FAKRA CONNECTOR SHROUD WILL WITHSTAND
A LONGITUDINAL FORCE OF 110 N (24.75 LBS)

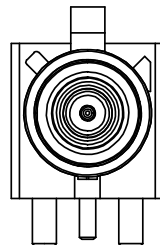


PS-89675-3310	PRODUCT SPECIFICATION
MIL-STD-348A, FIG. 311-1	INTERFACE
SPECIFICATION	DESCRIPTION

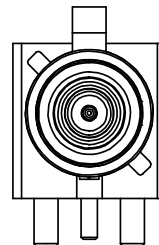
REMOVED THICKNESS OF PLATING	EC NO: URF2008-0511 DRWNSCHU CHKD: APPR:MHUANG 2008/05/09 2008/05/12 2008/05/13	DESCRIPTION	QUALITY SYMBOLS	GENERAL TOLERANCES (UNLESS SPECIFIED) 4 PLACES ± --- ± --- 3 PLACES ± --- ± --- 2 PLACES ± --- ± --- 1 PLACE ± --- ± --- ANGULAR ± 2 °	DIMENSION STYLE	SCALE	DESIGN UNITS	THIRD ANGLE PROJECTION		
			▽=0 ▽=0		MM/IN	METRIC	DRAWN BY DATE SSS 2001/12/10 CHECKED BY DATE TEF 2001/12/10 APPROVED BY DATE GMH 2001/12/10	TITLE	SMB JACK FAKRA 50 OHMS, R/A PCB SMB-J/PCB	
					SEE SHEET 2	MOLEX INCORPORATED	DOCUMENT NO.	SD-73404-087	SHEET NO.	1 OF 2
			DRAFT WHERE APPLICABLE MUST REMAIN WITHIN DIMENSIONS		THIS DRAWING CONTAINS INFORMATION THAT IS PROPRIETARY TO MOLEX INCORPORATED AND SHOULD NOT BE USED WITHOUT WRITTEN PERMISSION					



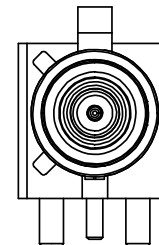
CODE - A



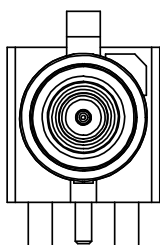
CODE - B



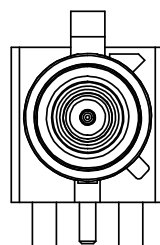
CODE - C



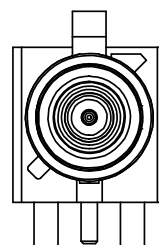
CODE - D



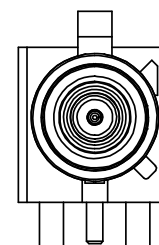
CODE - E



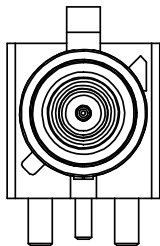
CODE - F



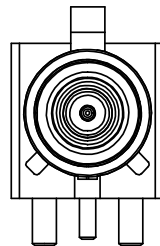
CODE - G



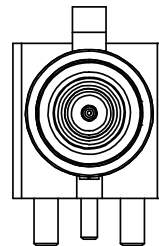
CODE - H



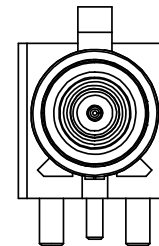
CODE - I



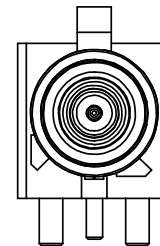
CODE - K



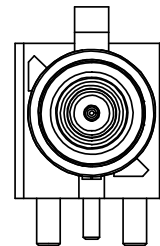
CODE - Z



CODE - L



CODE - M



CODE - N

N	PASTEL GREEN	73404-0883
M	PASTEL ORANGE	73404-0882
L	CARMINE RED	73404-0881
Z	WATER BLUE	73404-0880
K	CURRY YELLOW	73404-0879
I	BEIGE	73404-0878
H	VIOLET	73404-0877
G	GRAY	73404-0876
F	BROWN	73404-0875
E	GREEN	73404-0874
D	BORDEAUXVIOLET	73404-0873
C	BLUE	73404-0872
B	SIGNAL WHITE	73404-0871
A	BLACK	73404-0870
KEYING CODE	COLOR	PART NO.

CHG: SEE SHEET 1
 EC NO: URF2008-0511
 DRWNSCHOU 2008/05/09
 CHKD: 2008/05/12
 APPR: MHIANG 2008/05/13

QUALITY SYMBOLS
 ▽=0
 ▽=0

GENERAL TOLERANCES (UNLESS SPECIFIED)

	mm	INCH
4 PLACES	± .005	± .0004
3 PLACES	± .005	± .0004
2 PLACES	± .005	± .0004
1 PLACE	± .005	± .0004

ANGULAR ± 2 °

DRAFT WHERE APPLICABLE
 MUST REMAIN WITHIN DIMENSIONS

DIMENSION STYLE
 MM/IN

DRAWN BY DATE
 SSS 2001/12/10

CHECKED BY DATE
 TEF 2001/12/10

APPROVED BY DATE
 GMH 2001/12/10

MATERIAL NO.
 SEE TABLE

SIZE
 C

SCALE
 DESIGN UNITS
 METRIC

THIRD ANGLE PROJECTION

TITLE
 SMB JACK FAKRA
 50 OHMS, R/A PCB
 SMB-J/PCB

MOLEX INCORPORATED

DOCUMENT NO.
 SD-73404-087

SHEET NO.
 2 OF 2

THIS DRAWING CONTAINS INFORMATION THAT IS PROPRIETARY TO MOLEX INCORPORATED AND SHOULD NOT BE USED WITHOUT WRITTEN PERMISSION

MATERIALS AND FINISHES

BODY ZINC ALLOY
PLATED TIN

SMB BODY BRASS
PLATED NICKEL

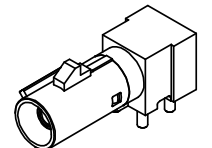
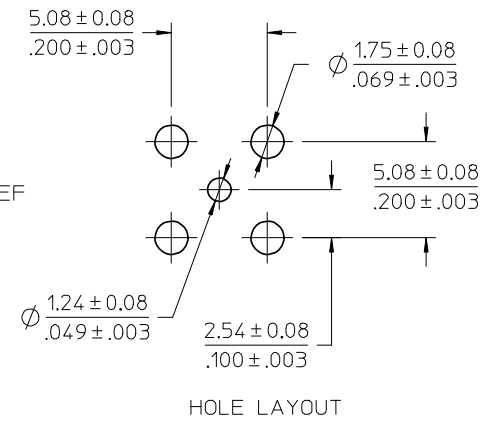
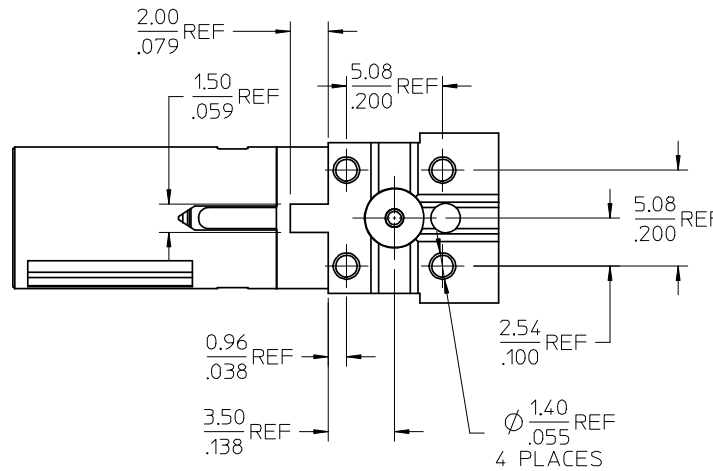
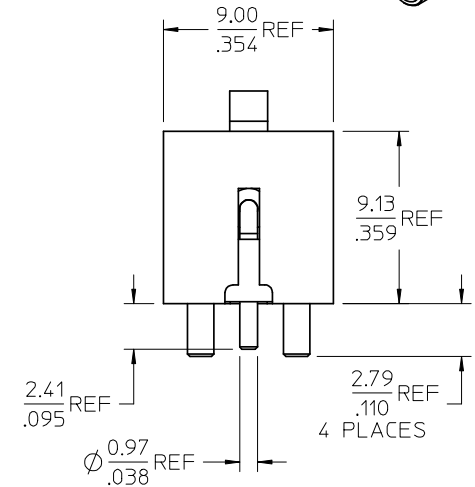
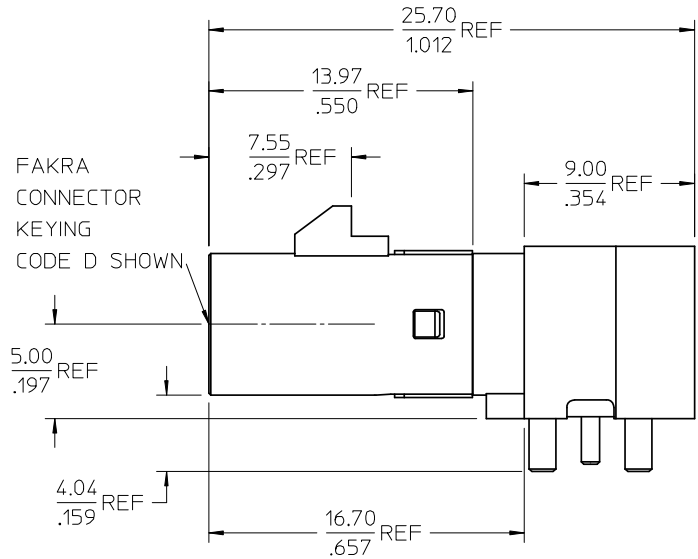
CENTER CONTACT PHOSPHOR BRONZE
PLATED GOLD

OUTER CASING HIGH TEMPERATURE PLASTIC
KEYING SEE TABLE
COLOR SEE TABLE

INSULATOR TEFLON

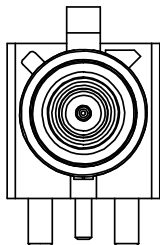
RETENTION SPECIFICATION:

THE FAKRA CONNECTOR SHROUD WILL WITHSTAND
A LONGITUDINAL FORCE OF 110 N (24.75 LBS)

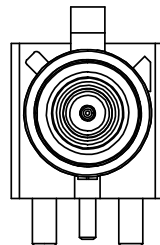


PS-89675-3310	PRODUCT SPECIFICATION
MIL-STD-348A, FIG. 311-1	INTERFACE
SPECIFICATION	DESCRIPTION

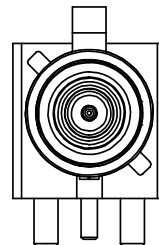
REMOVED THICKNESS OF PLATING	EC NO: URF2008-0511 DRWNSCHU CHKD: APPR:MHUANG 2008/05/09 2008/05/12 2008/05/13	DESCRIPTION	QUALITY SYMBOLS	GENERAL TOLERANCES (UNLESS SPECIFIED) 4 PLACES ± --- ± --- 3 PLACES ± --- ± --- 2 PLACES ± --- ± --- 1 PLACE ± --- ± --- ANGULAR ± 2 °	DIMENSION STYLE	SCALE	DESIGN UNITS	THIRD ANGLE PROJECTION
			▼=0		MM/IN	METRIC	SMB JACK FAKRA 50 OHMS, R/A PCB SMB-J/PCB	
			▽=0		DRAWN BY	TITLE		
			REV		DATE	DOCUMENT NO.		
B1				SEE SHEET 2	SD-73404-087	MOLEX INCORPORATED	SHEET NO. 1 OF 2	



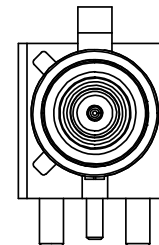
CODE - A



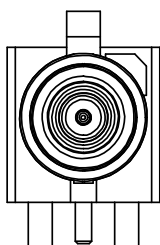
CODE - B



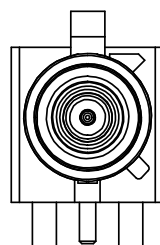
CODE - C



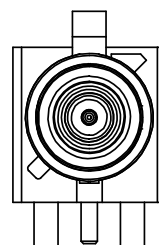
CODE - D



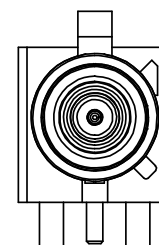
CODE - E



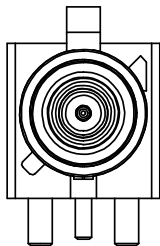
CODE - F



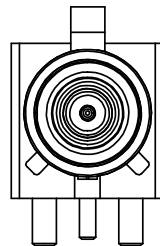
CODE - G



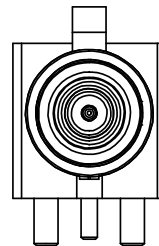
CODE - H



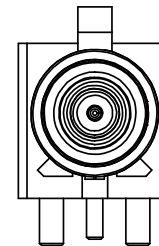
CODE - I



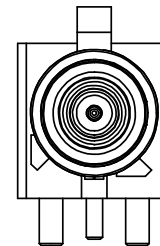
CODE - K



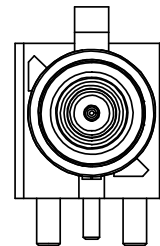
CODE - Z



CODE - L



CODE - M



CODE - N

N	PASTEL GREEN	73404-0883
M	PASTEL ORANGE	73404-0882
L	CARMINE RED	73404-0881
Z	WATER BLUE	73404-0880
K	CURRY YELLOW	73404-0879
I	BEIGE	73404-0878
H	VIOLET	73404-0877
G	GRAY	73404-0876
F	BROWN	73404-0875
E	GREEN	73404-0874
D	BORDEAUXVIOLET	73404-0873
C	BLUE	73404-0872
B	SIGNAL WHITE	73404-0871
A	BLACK	73404-0870
KEYING CODE	COLOR	PART NO.

CHG: SEE SHEET 1
 EC NO: URF2008-0511
 DRWNSCHOU 2008/05/09
 CHKD: 2008/05/12
 APPR: MHIANG 2008/05/13

QUALITY SYMBOLS
 ▽=0
 ▽=0

GENERAL TOLERANCES (UNLESS SPECIFIED)

	mm	INCH
4 PLACES	± .005	± .0004
3 PLACES	± .005	± .0004
2 PLACES	± .005	± .0004
1 PLACE	± .005	± .0004

ANGULAR ± 2 °

DRAFT WHERE APPLICABLE
 MUST REMAIN WITHIN DIMENSIONS

DIMENSION STYLE
 MM/IN

DRAWN BY DATE
 SSS 2001/12/10

CHECKED BY DATE
 TEF 2001/12/10

APPROVED BY DATE
 GMH 2001/12/10

MATERIAL NO.
 SEE TABLE

SIZE
 C

SCALE
 DESIGN UNITS
 METRIC

THIRD ANGLE PROJECTION

TITLE
 SMB JACK FAKRA
 50 OHMS, R/A PCB
 SMB-J/PCB

MOLEX INCORPORATED

DOCUMENT NO.
 SD-73404-087

SHEET NO.
 2 OF 2

THIS DRAWING CONTAINS INFORMATION THAT IS PROPRIETARY TO MOLEX INCORPORATED AND SHOULD NOT BE USED WITHOUT WRITTEN PERMISSION