

MATERIALS AND FINISHES:

**BODY: ZINC ALLOY
PLATED NICKEL**

**CONTER CONTACT: PHOSPHOR BRONZE
PLATED GOLD**

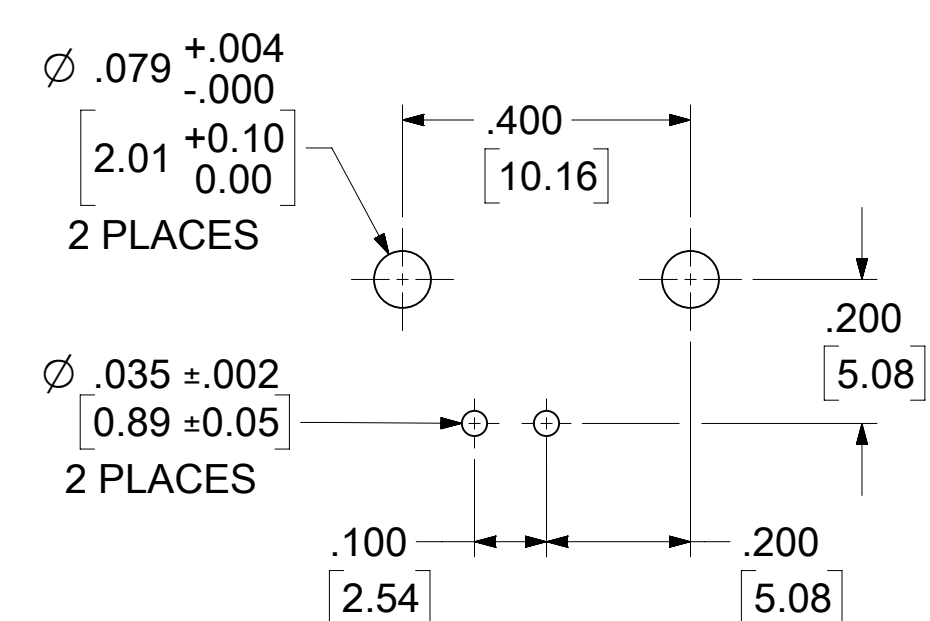
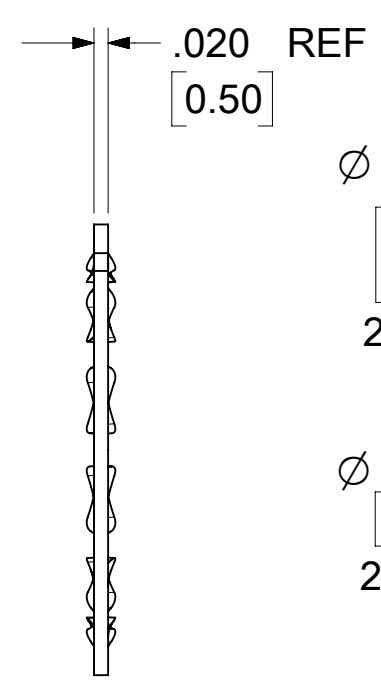
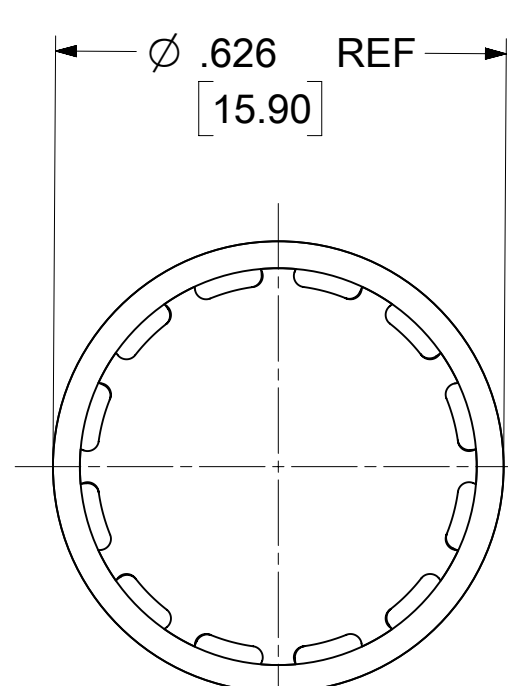
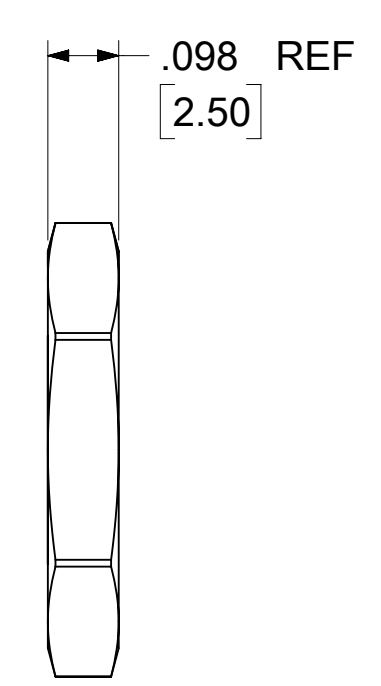
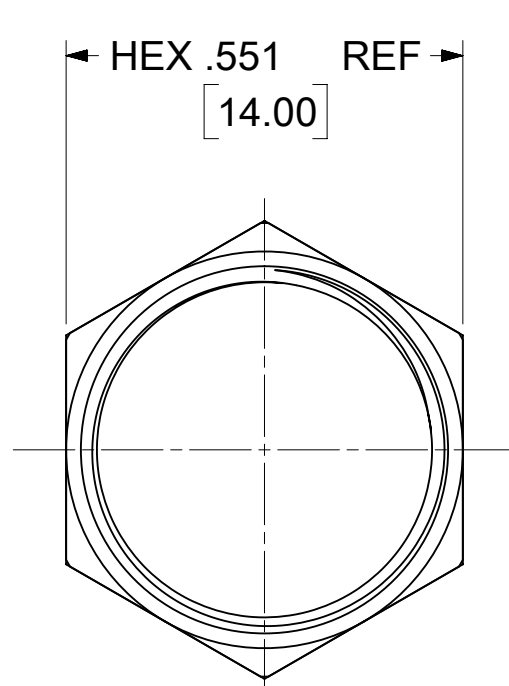
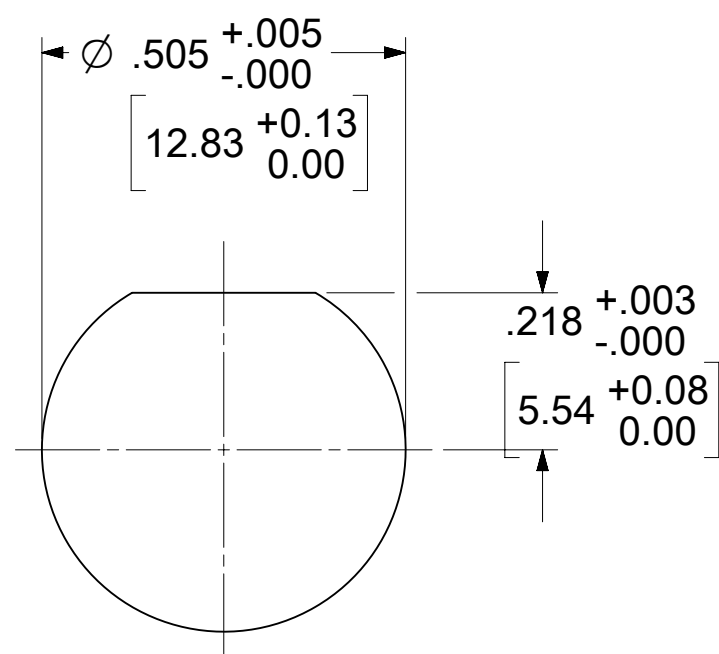
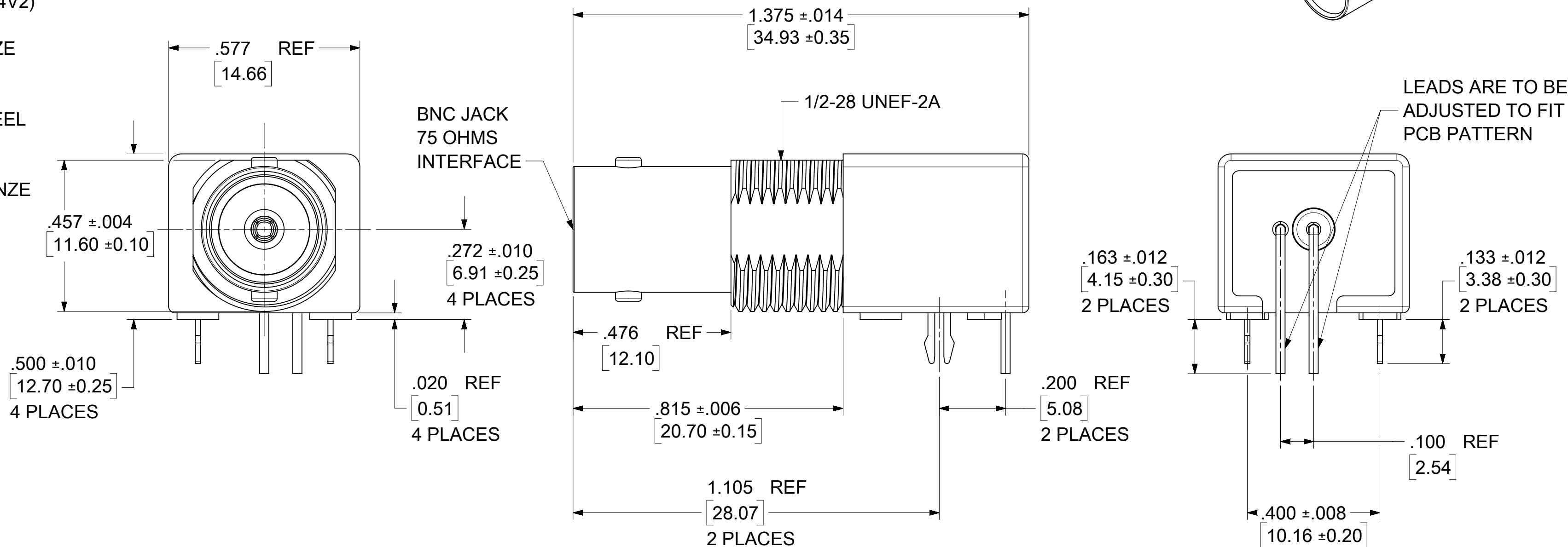
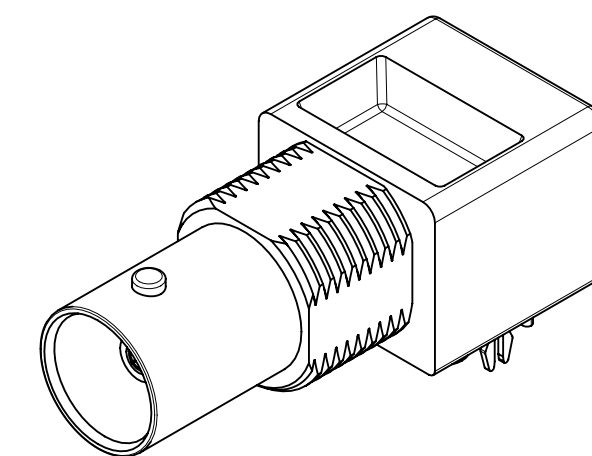
INSULATOR: POLYPROPYLENE (94V2)

**BOARD LOCK: PHOSPHOR BRONZE
PLATED TIN**

**SOLDER TAIL: COPPER OVER STEEL
PLATED TIN**

**LOCK WASHER: PHOSPHOR BRONZE
PLATED NICKEL**

**JAM NUT: BRASS
PLATED NICKEL**



RECOMMENDED MOUNTING HOLE
PANEL THICKNESS: .213 (5.40) MAX
RECOMMENDED MOUNTING TORQUE
1.36 N-m (12 INCH-LBS) MAX.

RECOMMENDED PCB HOLE
CONFIGURATION

73171-0561	ONE PER BAG
73171-0560	TRAY
PART NO.	PACKAGING

PS-89675-1030	PRODUCT SPECIFICATION
SEPCIFICATION	DESCRIPTION

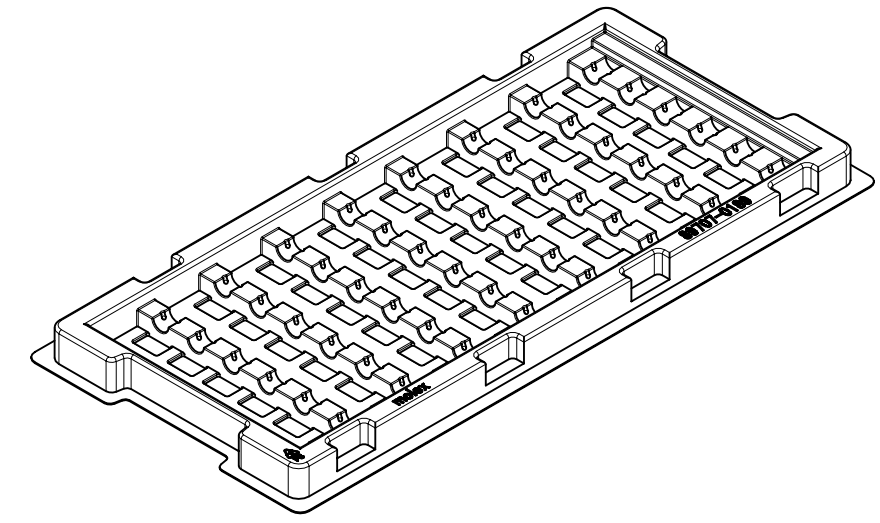
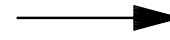
THIS DRAWING CONTAINS INFORMATION THAT IS PROPRIETARY TO MOLEX ELECTRONIC TECHNOLOGIES, LLC AND SHOULD NOT BE USED WITHOUT WRITTEN PERMISSION

DIMENSION UNITS INCH/MM	SCALE NTS	CURRENT REV DESC: ADD PACKING PER EWR #15158-B	molex		
GENERAL TOLERANCES (UNLESS SPECIFIED)		EC NO: 707341			
ANGULAR TOL $\pm 2.0^\circ$	4 PLACES \pm	DRWN: RYEH 2022/05/13	PRODUCT CUSTOMER DRAWING		
3 PLACES \pm	2 PLACES \pm	CHK'D: YCHENG 2022/05/20	DOCUMENT NUMBER		
1 PLACE \pm	0 PLACES \pm	APPR: YCHENG 2022/05/20	SD-73171-056		
DRAFT WHERE APPLICABLE MUST REMAIN WITHIN DIMENSIONS		INITIAL REVISION: DRWN: BOMALLEY 2012/02/01 APPR: SEE DRWN 1998/08/21	DOC TYPE DOC PART REVISION PSD 001 A3		
THIRD ANGLE PROJECTION		DRAWING C-SIZE	SERIES 73171	MATERIAL NUMBER SEE TABLE	CUSTOMER GENERAL MARKET
		SHEET NUMBER 1 OF 3			

FOR 73171-0560



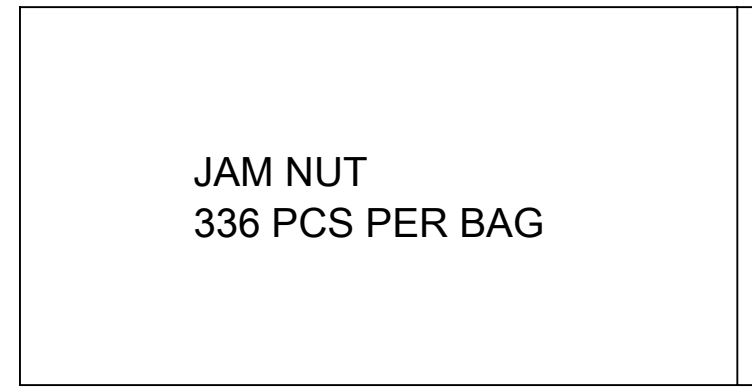
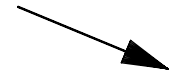
CONNECTOR



48 SETS PER TRAY



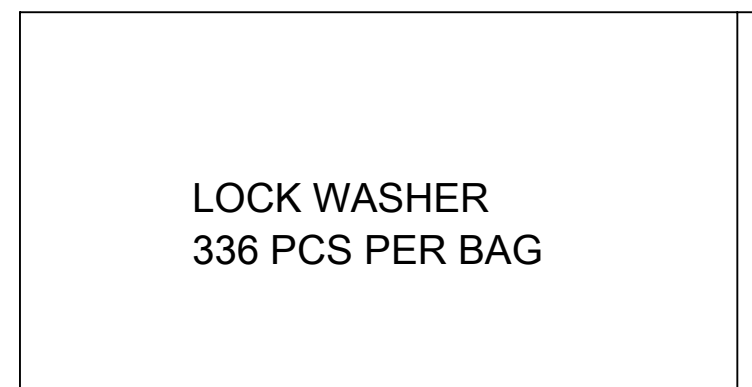
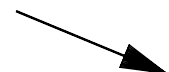
JAM NUT



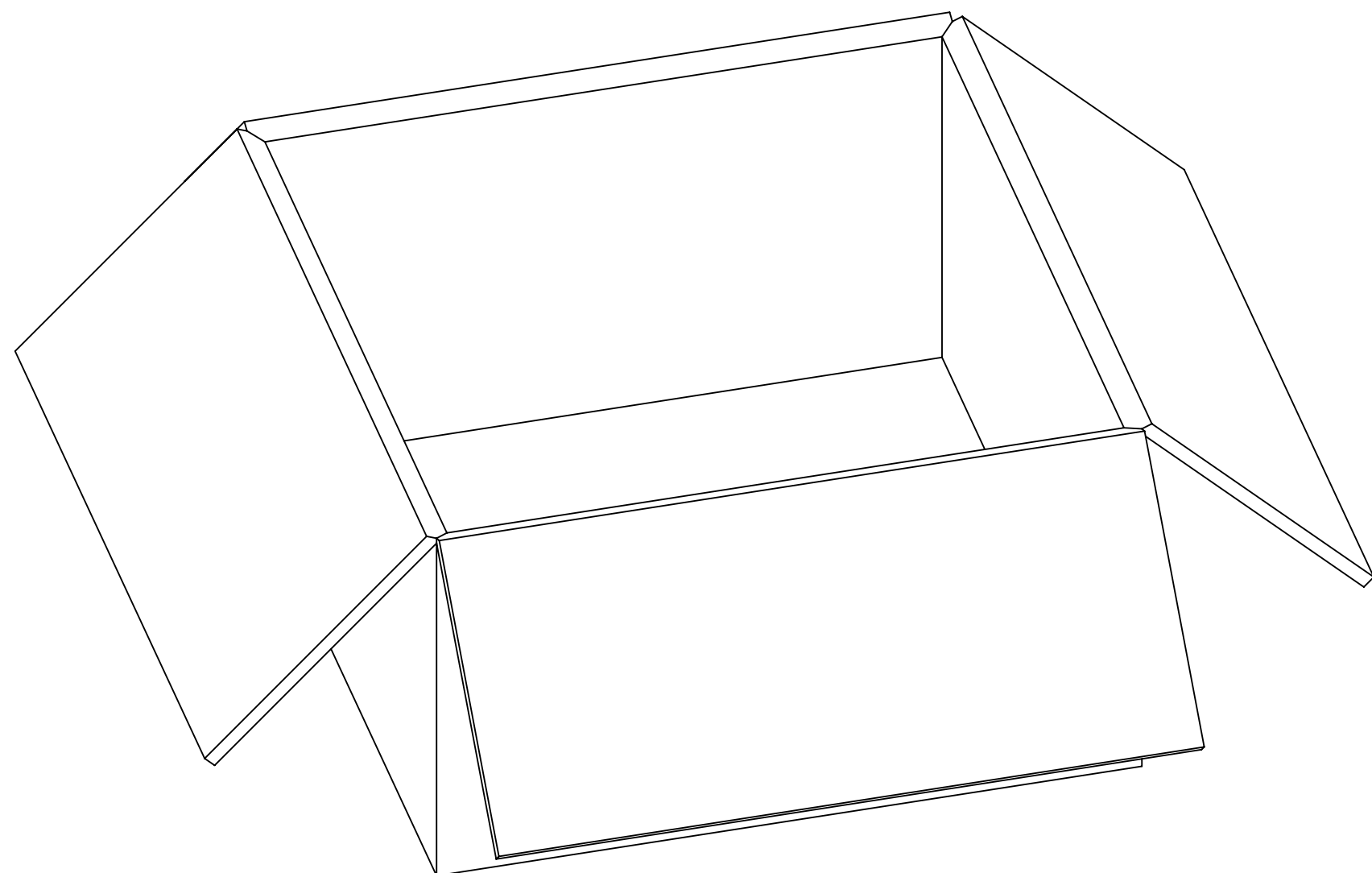
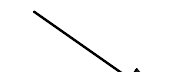
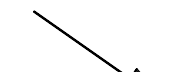
JAM NUT
336 PCS PER BAG



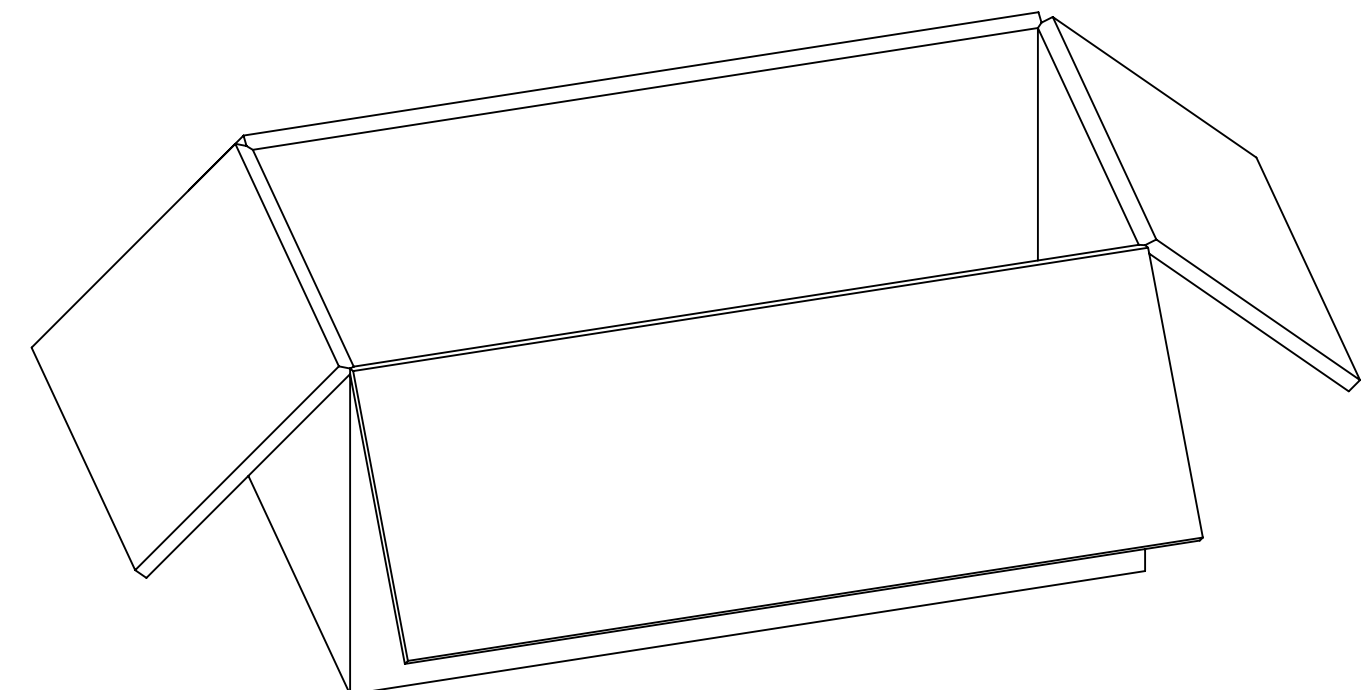
LOCK WASHER



LOCK WASHER
336 PCS PER BAG



672 SETS PER OUTER
CARTON BOX



336 SETS PER INNER
CARTON BOX



THIS DRAWING CONTAINS INFORMATION THAT IS PROPRIETARY TO MOLEX ELECTRONIC TECHNOLOGIES, LLC AND SHOULD NOT BE USED WITHOUT WRITTEN PERMISSION											
DIMENSION UNITS		SCALE		CURRENT REV DESC: ADD PACKING PER EWR #15158-B				molex			
INCH/MM		NTS									
GENERAL TOLERANCES (UNLESS SPECIFIED)				EC NO: 707341				BNC JACK R/A PCB, 75 OHM DIE CAST BNC-J/RA/PCB			
ANGULAR TOL ± 2.0°				DRWN: RYEH 2022/05/13							
4 PLACES ±				CHK'D: YCHENG 2022/05/20							
3 PLACES ±				APPR: YCHENG 2022/05/20				PRODUCT CUSTOMER DRAWING			
2 PLACES ±				INITIAL REVISION:				DOCUMENT NUMBER			
1 PLACE ±				DRWN: BOMALLEY 2012/02/01				SD-73171-056			
0 PLACES ±				APPR: SEE DRWN 1998/08/21				DOC TYPE DOC PART REVISION			
DRAFT WHERE APPLICABLE MUST REMAIN WITHIN DIMENSIONS				THIRD ANGLE PROJECTION		DRAWING		SERIES			
						C-SIZE		73171			
DOCUMENT STATUS				RELEASE DATE		MATERIAL NUMBER		CUSTOMER		SHEET NUMBER	
P1				2022/05/20 02:29:51		SEE TABLE		GENERAL MARKET		2 OF 3	

FOR 73171-0561



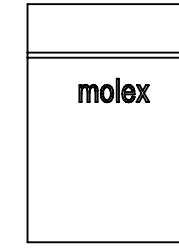
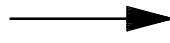
CONNECTOR



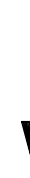
JAM NUT



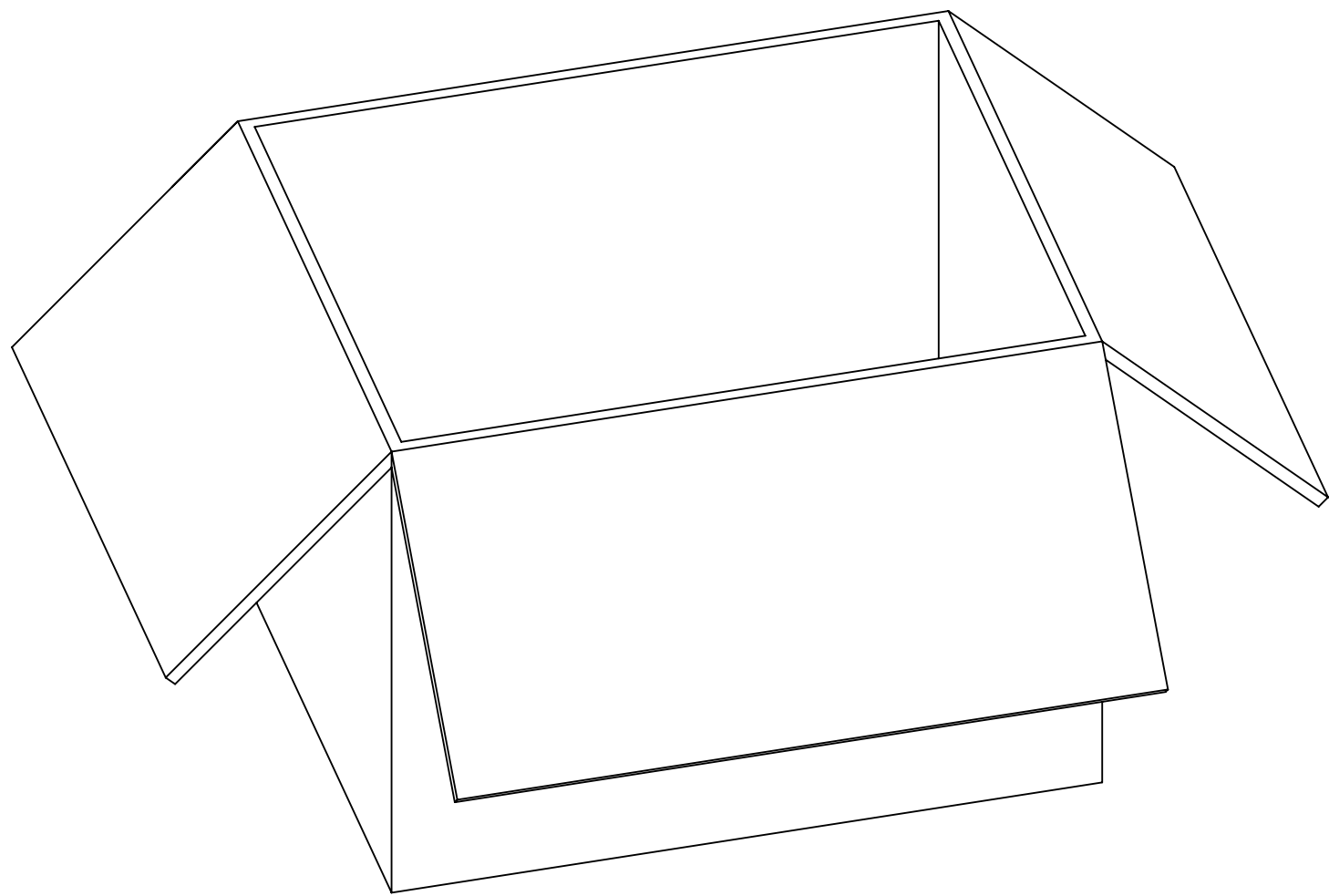
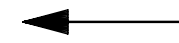
LOCK WASHER



1 SET PER BAG



50 SETS PER BAG



500 SETS PER CARTON BOX

THIS DRAWING CONTAINS INFORMATION THAT IS PROPRIETARY TO MOLEX ELECTRONIC TECHNOLOGIES, LLC AND SHOULD NOT BE USED WITHOUT WRITTEN PERMISSION

DIMENSION UNITS		SCALE		CURRENT REV DESC: ADD PACKING PER EWR #15158-B				molex									
INCH/MM		NTS															
GENERAL TOLERANCES (UNLESS SPECIFIED)						EC NO: 707341 DRWN: RYEH 2022/05/13 CHK'D: YCHENG 2022/05/20 APPR: YCHENG 2022/05/20 INITIAL REVISION: DRWN: BOMALLEY 2012/02/01 APPR: SEE DRWN 1998/08/21											
ANGULAR TOL ± 2.0°																	
4 PLACES		±															
3 PLACES		±															
2 PLACES		±															
1 PLACE		±															
0 PLACES		±															
DRAFT WHERE APPLICABLE MUST REMAIN WITHIN DIMENSIONS				THIRD ANGLE PROJECTION		DRAWING		SERIES		DOCUMENT NUMBER		DOC TYPE		DOC PART		REVISION	
						C-SIZE		73171		SD-73171-056		PSD		001		A3	
MATERIAL NUMBER				CUSTOMER				SHEET NUMBER									
SEE TABLE				GENERAL MARKET				3 OF 3									

DOCUMENT STATUS	P1	RELEASE DATE	2022/05/20	02:29:51
-----------------	----	--------------	------------	----------