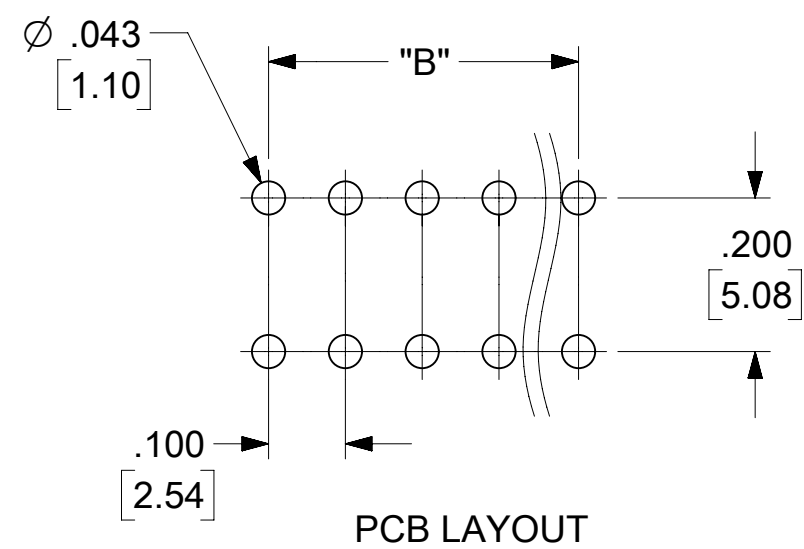


NOTE FRONT AND REAR PIN ORIENTATION



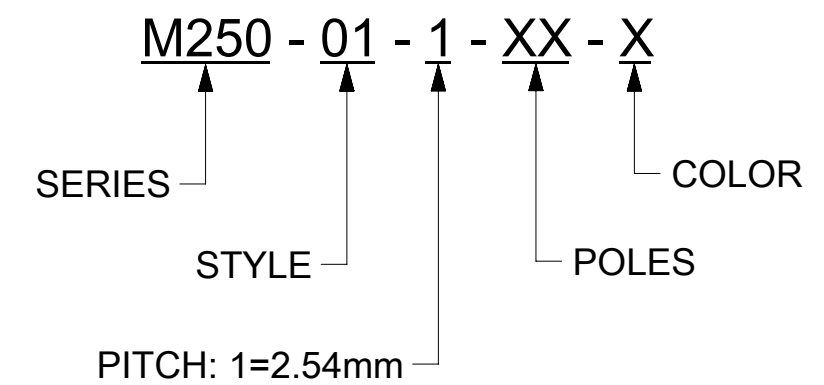
SPECIFICATIONS:

- MATERIAL:
 - A. BUTTON: PA66 UL94 V-0
 - B. SPRING: ST. STEEL
 - C. BODY : PA66 UL94 V-0
 - D. TERMINAL: BRASS TIN PLATED
 - E. COVER: PA66 UL94 V-0
- WIRE SIZE: 18 TO 26 AWG (SOL/STR) (E1)
- ELECTRICAL RATING (UL): 150V, 6A
- WIRE STRIP LENGTH: .43 (11.0mm)
- POWER FREQUENCYE WITHSTAND: AC 2000V FOR 1 MINUTE
- INSULATION RESISTANCE: DC 500V, 500MΩ
- RATED IMPULSE VOLTAGE: 2500V PLUS AND MINUS 5 TIMES EACH
- OPERATING TEMPERATURE : -40°C TO +115°C
- MAX SOLDERING TEMPERATURE : +260°C FOR 5 SECONDS

TOLERANCES			
MM	TOL	INCH	TOL
0-6	±0.25	0-.24	±.010
>6-30	±0.40	>.24-1.18	±.016
>30-120	±0.50	>1.18-4.76	±.020
>120	±0.80	>4.76	±.031

CONTACT FACTORY FOR OPTIONAL COLORS

ENGINEERING NUMBER LEGEND



PART NUMBER DATA							
CIRCUITS	PART NUMBER	ENGINEERING NUMBER	COLOR	DIM. "A"		DIM. "B"	
				IN	mm	IN	mm
2	397000202	M250-01-1-02-3	GREEN	.30	7.6	.100	2.54
3	397000203	M250-01-1-03-3	GREEN	.40	10.2	.200	5.08
4	397000204	M250-01-1-04-3	GREEN	.50	12.7	.300	7.62
5	397000205	M250-01-1-05-3	GREEN	.60	15.2	.400	10.16
6	397000206	M250-01-1-06-3	GREEN	.70	17.8	.500	12.70
7	397000207	M250-01-1-07-3	GREEN	.80	20.3	.600	15.24
8	397000208	M250-01-1-08-3	GREEN	.90	22.9	.700	17.78
9	397000209	M250-01-1-09-3	GREEN	1.00	25.4	.800	20.32
10	397000210	M250-01-1-10-3	GREEN	1.10	27.9	.900	22.86
11	397000211	M250-01-1-11-3	GREEN	1.20	30.5	1.000	25.40
12	397000212	M250-01-1-12-3	GREEN	1.30	33.0	1.100	27.94
13	397000213	M250-01-1-13-3	GREEN	1.40	35.6	1.200	30.48
14	397000214	M250-01-1-14-3	GREEN	1.50	38.1	1.300	33.02
15	397000215	M250-01-1-15-3	GREEN	1.60	40.6	1.400	35.56
16	397000216	M250-01-1-16-3	GREEN	1.70	43.2	1.500	38.10
17	397000217	M250-01-1-17-3	GREEN	1.80	45.7	1.600	40.64
18	397000218	M250-01-1-18-3	GREEN	1.90	48.3	1.700	43.18
19	397000219	M250-01-1-19-3	GREEN	2.00	50.8	1.800	45.72
20	397000220	M250-01-1-20-3	GREEN	2.10	53.3	1.900	48.26
21	397000221	M250-01-1-21-3	GREEN	2.20	55.9	2.000	50.80
22	397000222	M250-01-1-22-3	GREEN	2.30	58.4	2.100	53.34
23	397000223	M250-01-1-23-3	GREEN	2.40	61.0	2.200	55.88
24	397000224	M250-01-1-24-3	GREEN	2.50	63.5	2.300	58.42

FUNCTIONAL SYMBOLS FA=0 FC=0 FP=0	THIS DRAWING CONTAINS INFORMATION THAT IS PROPRIETARY TO MOLEX ELECTRONIC TECHNOLOGIES, LLC AND SHOULD NOT BE USED WITHOUT WRITTEN PERMISSION							
	DIMENSION UNITS INCH/MM		SCALE 4:1		CURRENT REV DESC: MIGRATED TO NX. WIRE SIZE WAS 26-18AWG		molex	
	GENERAL TOLERANCES (UNLESS SPECIFIED)				EC NO: 708205			
	DIVISIONAL SYMBOLS		MM		INCH		DRWN: ABENJAMINLW 2022/05/23	
4 PLACES		± --- ± ---		± --- ± ---		CHK'D: DACHAMMER 2022/05/25		
3 PLACES		± --- ± ---		SEE CHART		APPR: JFMURPHY 2022/06/13		
2 PLACES		± SEE CHART ± SEE CHART		± SEE CHART ± SEE CHART		INITIAL REVISION:		
1 PLACE		± SEE CHART ± ---		± --- ± ---		DRWN: RSTONE 2013/10/02		
0 PLACES		± --- ± ---		± --- ± ---		APPR: JFMURPHY 2013/12/26		
ANGULAR TOL		± ---		THIRD ANGLE PROJECTION		DRAWING SERIES		
DRAFT WHERE APPLICABLE MUST REMAIN WITHIN DIMENSIONS		THIRD ANGLE PROJECTION		DRAWING SERIES		MATERIAL NUMBER CUSTOMER SHEET NUMBER		
		C-SIZE		39700		SEE CHART GENERAL MARKET 1 OF 1		

DOCUMENT STATUS				P1	RELEASE DATE	2022/06/13	16:49:40
DOCUMENT NUMBER		DOC TYPE	DOC PART	REVISION			
SD-39700-002		PSD	001	E1			