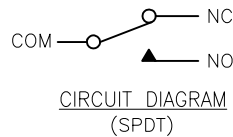
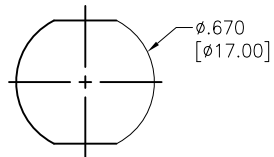
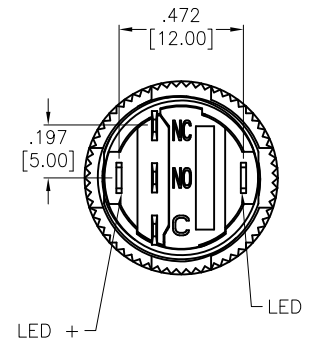
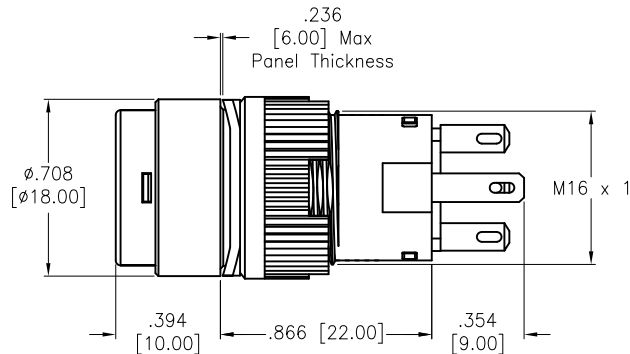
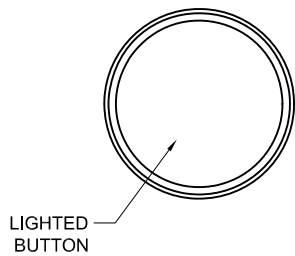


APPROVED: \_\_\_\_\_  
 DATE: \_\_\_\_\_ TITLE: \_\_\_\_\_

Rev	AWO #	Description	Date	Appr
-		RELEASED	3/1/21	
A		ADDED TITLE	6/21/21	JJ/RC



SW-PB5-AA2BX1X-IP40-8

LED Ring Color	LED Voltage
R Red	1.8V 1.8V AC/DC
G Green	2.8V 2.8V AC/DC
Y Yellow	6V 6V AC/DC
O Orange	12V 12V AC/DC
B Blue	24V 24V AC/DC
W White	110V 110V AC
	220V 220V AC

LED Voltage	LED Voltage	LED Type
1.8V AC/DC	1.8V AC/DC	Red/Yellow LED
2.8V AC/DC	2.8V AC/DC	Green/Blue LED
6V AC/DC	6V AC/DC	
12V AC/DC	12V AC/DC	
24V AC/DC	24V AC/DC	
110V AC	110V AC	
220V AC	220V AC	

**SPECIFICATIONS:**

Material:  
 Base: PBT, Rated UL94V-0  
 Bushing: PC  
 Nut: PC  
 Contact Material: Silver Alloy  
 Electrical:  
 Switch Rating: 0.7A @ 12V / 24V DC (Inductive)  
                   1A @ 12V / 24V DC (Resistive)  
                   0.7A @ 110V AC (Inductive)  
                   1A @ 110V AC (Resistive)  
                   0.5A @ 220V AC (Inductive)  
                   0.5A @ 220V AC (Resistive)  
 Contact resistance: 50 mΩ max.  
 Insulation resistance: 100M ohms min.  
 Dielectric withstanding voltage: 1000V RMS, 50Hz.  
 Electrical Life: 50,000 cycles min at full load.  
 Temperature Rating:  
 Operating temperature: -25°C to +55°C  
 Environmental:  
 IP40 Front Panel Protection  
 Lead free, RoHS compliant

RECOMMENDED  
 PANEL CUT-OUT  
 Max. Panel thickness  
 .236" [6.0mm]

UNLESS OTHERWISE SPECIFIED ALL DIMENSIONS ARE INCHES [MM]. TOLERANCES: EXCEPT AS NOTED

INCHES		HOLES	
.X	±.10	ØX	±.10
.XX	±.020	ØXX	±.015
.XXX	±.015	ØXXX	±.010



909 Rahway Avenue,  
 Union, NJ 07083  
 Phone: 908-687-5000  
 Fax: 908-687-5710

DRAWN	SS	3/1/21
CHECKED	AC	3/1/21
APPROVED		

TITLE: INDUSTRIAL, PUSH BUTTON, SWITCH, SPDT,  
 16mm DIA., LIGHTED, MOMENTARY

THIS DRAWING CONTAINS INFORMATION THAT IS PROPRIETARY AND SHOULD NOT BE USED WITHOUT PRIOR WRITTEN PERMISSION FROM ADAM TECH

SIZE X	PART NO. SW-PB5-AA2BXR1X-IP40-8	REV. A
-----------	------------------------------------	-----------

REF: XXXXX SCALE: NTS SHEET 1 OF 1