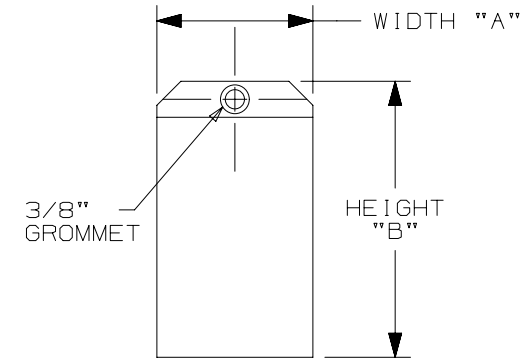


THIS COPY IS PROVIDED ON A RESTRICTED BASIS AND IS NOT TO BE USED IN ANY WAY DETRIMENTAL TO THE INTERESTS OF PANDUIT CORP.

PART NUMBER	MATERIAL	WIDTH "A"	HEIGHT "B"	TAGS & TIES PER PKG.	LAMINATION SIDE	HEADER	HEADER COLOR	DESCRIPTION	LEGEND COLOR	
PST-1	SLCT VINYL	2.00 [50.8]	3.00 [76.2]	10	FRONT ONLY	BLANK	BLANK	BLANK	BLANK	
PST-2		3.25 [82.6]	5.75 [146.0]	5		DANGER	WHITE/RED & BLACK	TAG-A	BLACK/WHITE	
PST-3		3.00 [76.2]				FARE		TAG-D		
PST-3-D						DANGER		TAG-E		
PST-4	GMV5 AND SEZ-SNC VINYL	3.50 [88.9]	5.75 [146.0]	25	FRONT AND BACK	BLANK	BLANK	BLANK	BLANK	
PST-5		3.00 [76.2]			5	FRONT ONLY	BLANK	BLANK	DO NOT THROW SYMBOL (TAG-B)	BLACK/WHITE
PST-12							PERIGO	WHITE/RED & BLACK	TAG-C	BLACK/RED & WHITE STRIPE
PST-98-P										



NOTES:
1. MILLIMETER ARE IN [].

TAG-A

TAG-B

TAG-C

TAG-D

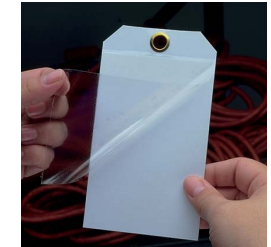
TAG-E



Front PST-3 Back



Front PST-12 Back



REV	DATE	BY	CHK	APR	DESCRIPTION	ECN
2	8/14/18	RVU	JW	JHAC	ADD PST-3-F TO TABLE. UPDATE TABLE.	GAECN04654
1	11/11/13	JHAC	KLN		ADDED PST-3-D AND PST-98-P TO TABLE.	GAECN01375
0	4/4/08	RVU			DRAWING RELEASE.	5382

TITLE PST-∗ INDOOR RIGID VINYL SAFETY TAG CARRIER AND PHOTO TAGS	
CUSTOMER DRAWING	
ITEM REVISION NAME 100318LX/02	PANDUIT
DATASET FILE NAME 100318LX_DC_C10679/02C	
UNLESS OTHERWISE SPECIFIED, DIMENSIONAL TOLERANCES ARE: IN [mm]	
.x ± .075 [1.905] .xxx ± .020 [0.508] .xx ± .050 [1.27] ANGLES ± 5 °	
THIRD ANGLE PROJECTION	
DRAWING NUMBER: C10679	

REV	DATE	BY	CHK	APR	DESCRIPTION	ECN	DRAWN BY	DATE	CHK	SCALE	SIZE
							RVU	4/4/08	JHAC	NTS	A

D10100DA/20