

1 2 3 4 5 6 7 8

| COUNT | DESCRIPTION OF REVISIONS | BY   | CHKD   | DATE      | COUNT | DESCRIPTION OF REVISIONS | BY | CHKD | DATE |
|-------|--------------------------|------|--------|-----------|-------|--------------------------|----|------|------|
| 1     | DIS-P-00000179           | KUDO | TOKUTA | 16. 9. 16 |       |                          |    |      |      |
|       |                          |      |        |           |       |                          |    |      |      |
|       |                          |      |        |           |       |                          |    |      |      |

A

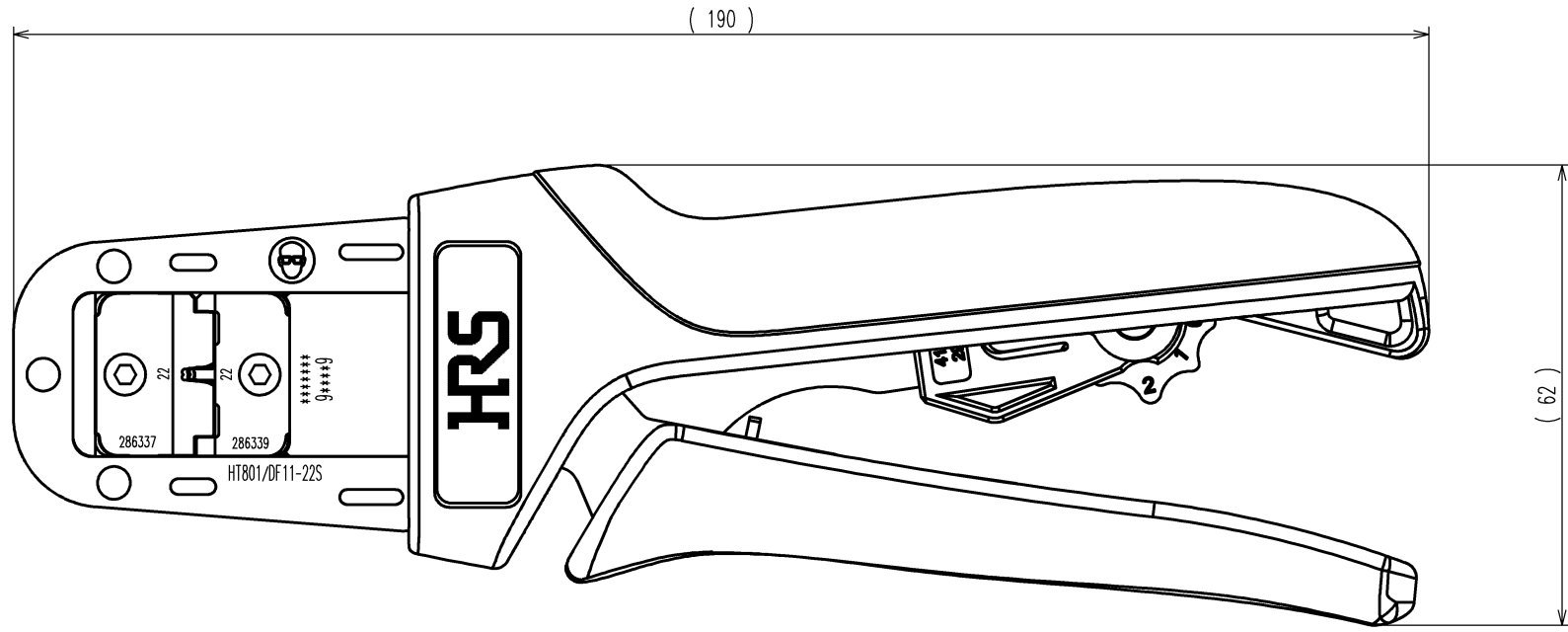
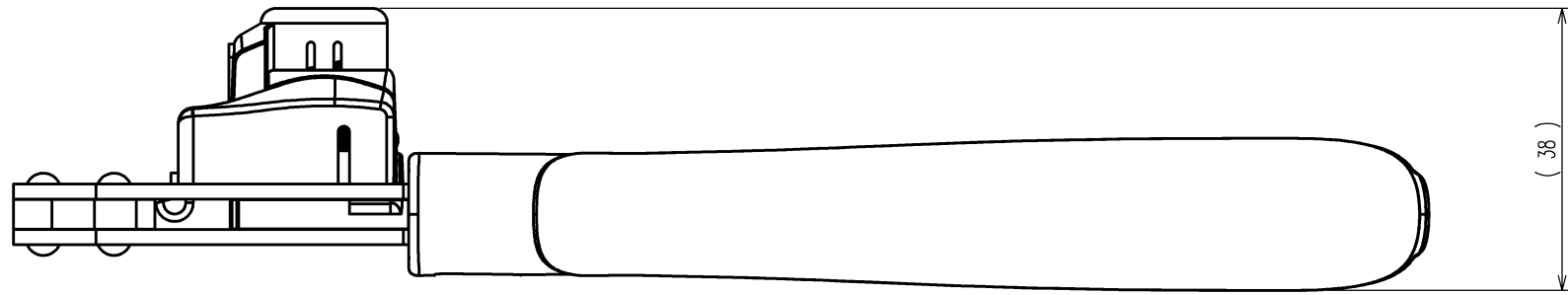
B

C

D

E

F



△ Notes 1. Contact of DF11-22SC(CL543-0602-2) and DF11-22SCA(CL543-0604-8) is assembled for this tool.

TO  
PE

|                                 |          |                 |                              |                                    |                                |
|---------------------------------|----------|-----------------|------------------------------|------------------------------------|--------------------------------|
| 2                               |          |                 | 4                            |                                    |                                |
| 1                               |          |                 | 3                            |                                    |                                |
| NO.                             | MATERIAL | FINISH, REMARKS | NO.                          | MATERIAL                           | FINISH, REMARKS                |
| CODE NO.(OLD)<br>CL             |          |                 | DRAWN<br>H.KUDO<br>14.10.1   | DESIGNED<br>M.TAKAHASHI<br>14.10.1 | CHECKED<br>S.OIZUMI<br>14.10.3 |
|                                 |          |                 | APPROVED<br>T.ITO<br>14.10.3 | RELEASED<br>.                      |                                |
| DRAWING NO.<br>EDC-276310-00-00 |          |                 | PART NO.<br>HT801/DF11-22S   |                                    |                                |
| SCALE<br>1 : 1                  |          |                 | CODE NO.<br>CL550-0407-5     |                                    |                                |
| UNITS<br>mm                     |          |                 | HRS HIROSE ELECTRIC CO., LTD |                                    |                                |
|                                 |          |                 |                              |                                    | 1/1                            |

1 2 3 4 5 6 7 8