

# Customer Information Sheet

DRAWING No.: G125-MH1XXM4-XXAD000P

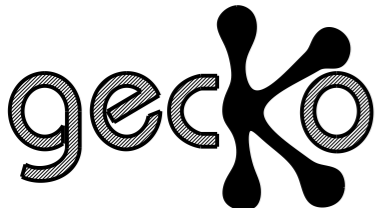
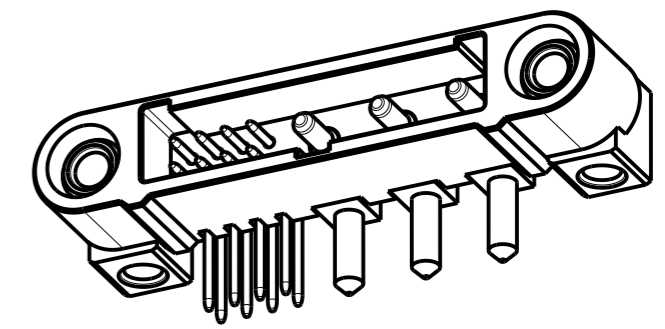
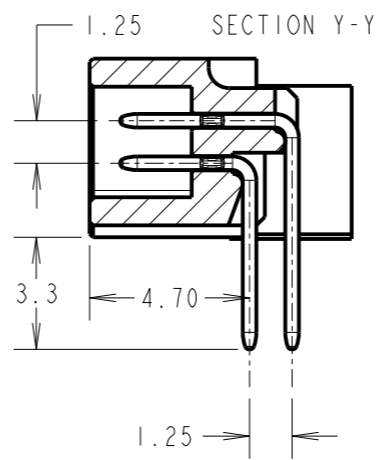
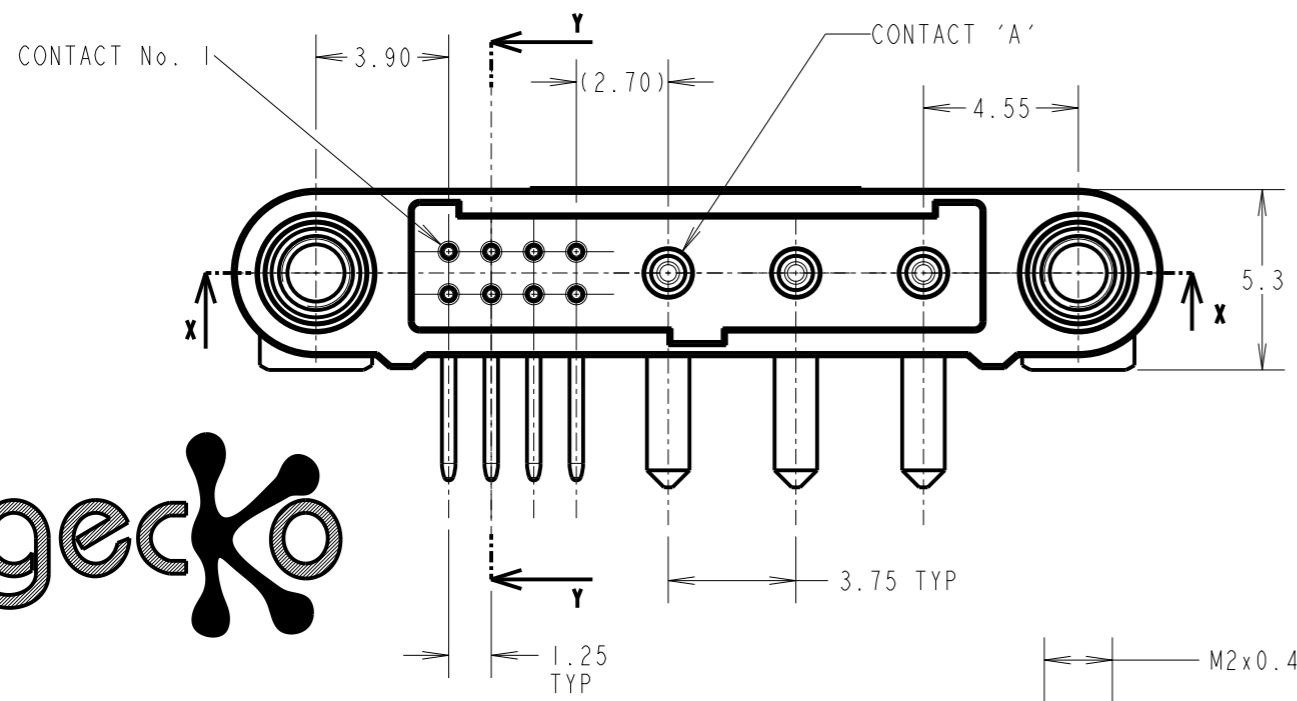
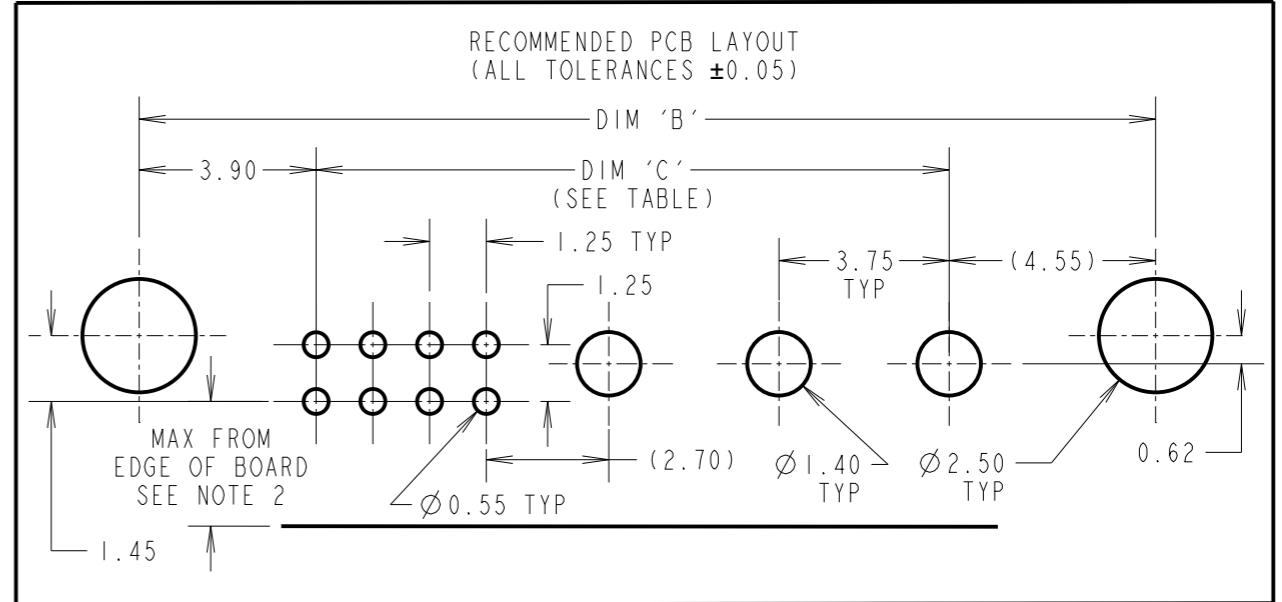
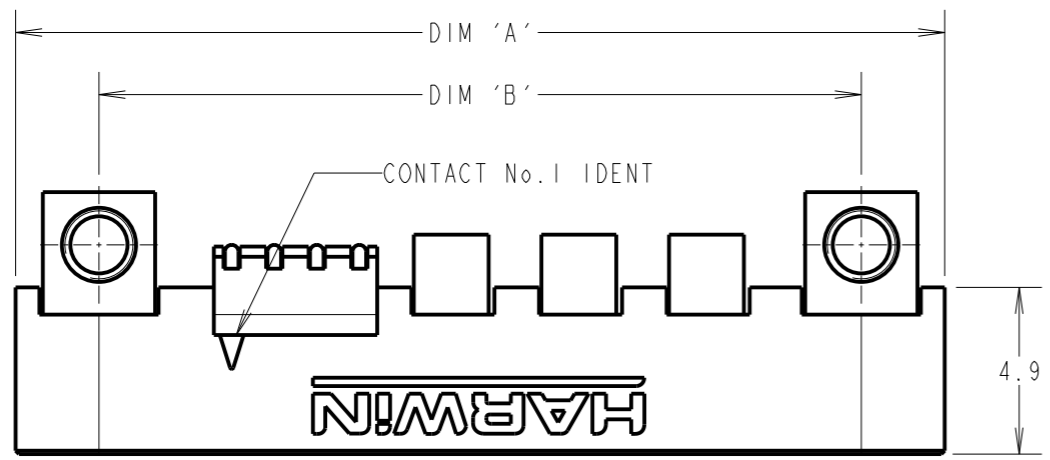
IF IN DOUBT - ASK

©

NOT TO SCALE

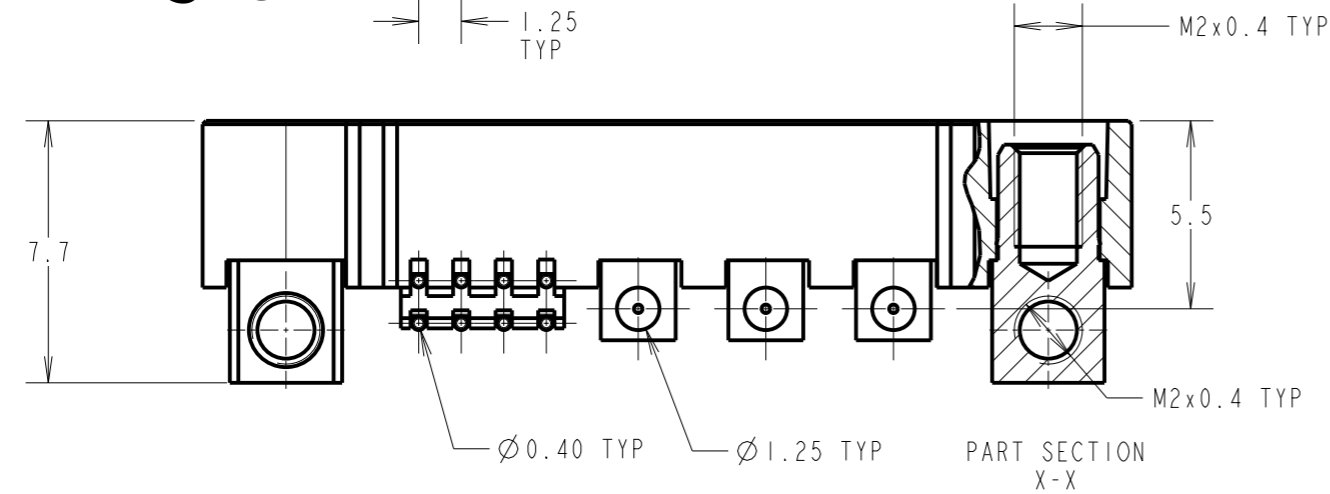
THIRD ANGLE PROJECTION

ALL DIMENSIONS IN mm



ORDER CODE:  
**G125-MH1XXM4-XXAD000P**

No. OF SIGNAL CONTACTS (SEE TABLE 2)      No. OF POWER CONTACTS (SEE TABLE 2)



DIMENSION	CALCULATION
DIM 'A'	$((\text{TOTAL No. OF SIGNAL CONTACTS} - 2) \times 0.625) + ((\text{TOTAL No. OF POWER CONTACTS} - 1) \times 3.75) + 16.05$
DIM 'B'	$((\text{TOTAL No. OF SIGNAL CONTACTS} - 2) \times 0.625) + ((\text{TOTAL No. OF POWER CONTACTS} - 1) \times 3.75) + 11.15$
DIM 'C'	$((\text{TOTAL No. OF SIGNAL CONTACTS} - 2) \times 0.625) + ((\text{TOTAL No. OF POWER CONTACTS} - 1) \times 3.75) + 2.70$

RTP	1	26.10.22	31971
NAME	ISS.	DATE	CN/CO
APPROVED: S.BENNETT			
CHECKED: A.BOXALL			
DRAWN: R.PORTLOCK			
CUSTOMER REF.:			
ASSEMBLY DRG:			

- NOTES:
- FOR MATERIALS, FINISH AND PERFORMANCE SEE COMPONENT SPECIFICATION C125XX (LATEST ISSUE).
  - MAX DISTANCE OF NEARSIDE CONTACTS TO BOARD EDGE WHEN MATED WITH:
    - UNSHIELDED CABLE: 4.90mm
    - SHIELDED CABLE: 2.75mm
  - A RANGE OF SUITABLE M2 BOARD MOUNT SCREWS ARE AVAILABLE SEPARATELY. VISIT HARWIN.COM FOR DETAILS.

**HARWIN**

www.harwin.com  
 technical@harwin.com

THIS DRAWING AND ANY INFORMATION OR DESCRIPTIVE MATTER SET OUT HEREON ARE CONFIDENTIAL AND COPYRIGHT PROPERTY OF THE HARWIN GROUP AND MUST NOT BE DISCLOSED, LOANED, COPIED OR USED FOR MANUFACTURING, TENDERING OR FOR ANY OTHER PURPOSE WITHOUT THEIR WRITTEN PERMISSION.

TOLERANCES  
 X. =  $\pm 1$ mm  
 X.X =  $\pm 0.50$ mm  
 X.XX =  $\pm 0.20$ mm  
 X.XXX =  $\pm 0.01$ mm  
 ANGLES =  $\pm 5^\circ$   
 UNLESS STATED

MATERIAL: SEE NOTE 1  
 FINISH: SEE NOTE 1  
 S/AREA: mm<sup>2</sup>

TITLE: GECKO-MT MALE HORIZONTAL PC TAIL CONNECTOR  
 DRAWING NUMBER: **G125-MH1XXM4-XXAD000P** SHT 3 OF 4

# Customer Information Sheet

DRAWING No.: G125-MHIXM4-XXAD000P

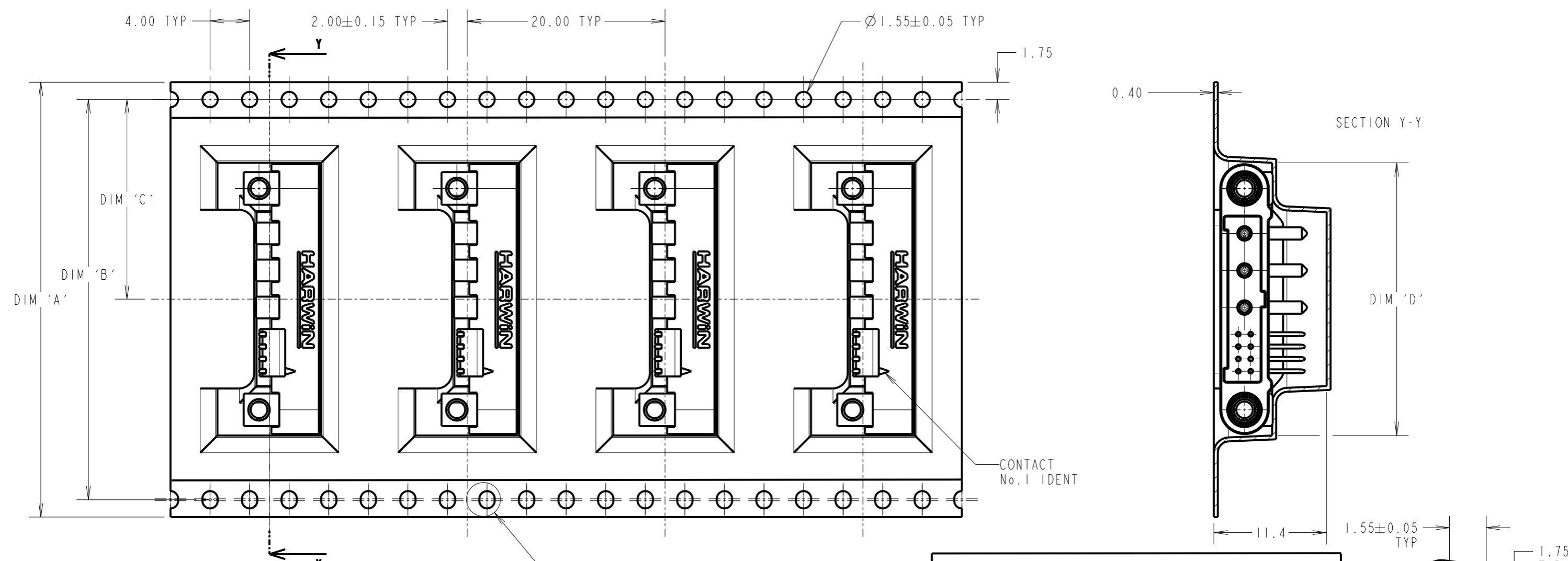
IF IN DOUBT - ASK

©

NOT TO SCALE

THIRD ANGLE PROJECTION

ALL DIMENSIONS IN mm



ORDER CODE:  
**G125-MHIXM4-XXAD000P**  
 No. OF SIGNAL CONTACTS: SEE TABLE 2  
 No. OF POWER CONTACTS: SEE TABLE 2



TAPE STRIP DETAILS ONLY,  
 SEE SHEET 3 FOR CONNECTOR  
 AND PCB LAYOUT DETAILS

NOTES:  
 3. COMPONENTS ARE ORIENTED IN TAPE POCKETS AS SHOWN.  
 4. COMPONENTS ARE SUPPLIED IN STRIPS OF TAPE. SUPPLIED QUANTITY MAY CONSIST OF MORE THAN ONE STRIP, STRIP LENGTH MAY VARY.

TABLE 2: AVAILABLE VARIANTS

ASSEMBLY PART No.	DIM 'A'	DIM 'B'	DIM 'C'	DIM 'D'	No. OF SIGNAL CONTACTS	No. OF POWER CONTACTS
G125-MHI04M4-02AD000P	44.00	40.40	20.20	21.50	04	02
G125-MHI08M4-03AD000P				27.60	08	03
G125-MHI04M4-04AD000P				29.00	04	04
G125-MHI24M4-02AD000P	56.00	52.40	26.20	34.00	24	02
G125-MHI16M4-04AD000P				36.50	16	04
G125-MHI08M4-06AD000P				39.00	08	06

RTP	1	26.10.22	31971
NAME	ISS.	DATE	CN/CO
APPROVED:		S.BENNETT	
CHECKED:		A.BOXALL	
DRAWN:		R.PORTLOCK	
CUSTOMER REF.:			
ASSEMBLY DRG:			

 www.harwin.com technical@harwin.com	THIS DRAWING AND ANY INFORMATION OR DESCRIPTIVE MATTER SET OUT HEREON ARE CONFIDENTIAL AND COPYRIGHT PROPERTY OF THE HARWIN GROUP AND MUST NOT BE DISCLOSED, LOANED, COPIED OR USED FOR MANUFACTURING, TENDERING OR FOR ANY OTHER PURPOSE WITHOUT THEIR WRITTEN PERMISSION.	TOLERANCES X. = ±1mm X.X = ±0.50mm X.XX = ±0.20mm X.XXX = ±0.01mm ANGLES = ±5° UNLESS STATED	MATERIAL: SEE SHEET 3	TITLE: GECKO-MT MALE HORIZONTAL PC TAIL CONNECTOR
		FINISH: SEE SHEET 3 S/AREA: mm <sup>2</sup>	DRAWING NUMBER: <b>G125-MHIXM4-XXAD000P</b>	SHT 4 OF 4