

PCN Number:	20131015000			PCN Date:	10/18/2013
Title:	Qualification of 12mm Tape width for Select Devices on QFN Package				
Customer Contact:	PCN Manager	Phone:	+1(214)480-6037	Dept:	Quality Services
Proposed 1st Ship Date:	01/18/2014	Estimated Sample Availability:	Date provided upon sample request		
Change Type:	<input checked="" type="checkbox"/> Packing/Shipping/Labeling				
PCN Details					
Description of Change:					
Final Notification to announce the qualification from 16mm tape width to 12mm tape width for QFN devices (See Appendix A for the Carrier Tape "From/To" Detail).					
Pack BOM	Package Size	Current		Proposed	
		TI P/N	Details	TI P/N	Details
Tape	3.3x3.3mm	4212589-0004	16mm width	4212589-0018	12mm width
Reason for Change:					
Standardization of tape width size for 3.3x3.3mm QFN packages.					
Anticipated impact on Form, Fit, Function, Quality or Reliability (positive / negative):					
None					
Changes to product identification resulting from this PCN:					
None					
Product Affected:					
CSD87312Q3E		CSD95379Q3M			

Qualification Data:

This qualification has been specifically developed for the validation of this change. The qualification data validates that the proposed change meets the applicable released technical specifications.	
Qualification:	<input type="checkbox"/> Plan <input checked="" type="checkbox"/> Test Results
Qualification Device Construction Details:	
12mm tape Width	Pass/Fail
First Article Inspection Test:	PASS
Manufacturability Test:	PASS
Dimensional Test:	PASS
Camber Test:	PASS
Surface Resistivity Test:	PASS
Fit Analysis:	PASS
Drop Test:	PASS

For questions regarding this notice, e-mails can be sent to the regional contacts shown below or your local Field Sales Representative.

Location	E-Mail
USA	PCNAmericasContact@list.ti.com
Europe	PCNEuropeContact@list.ti.com
Asia Pacific	PCNAsiaContact@list.ti.com
Japan	PCNJapanContact@list.ti.com

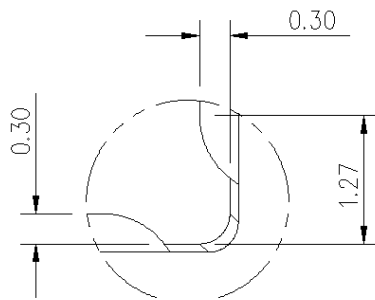
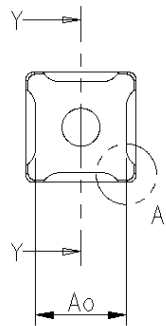
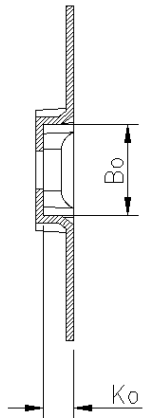
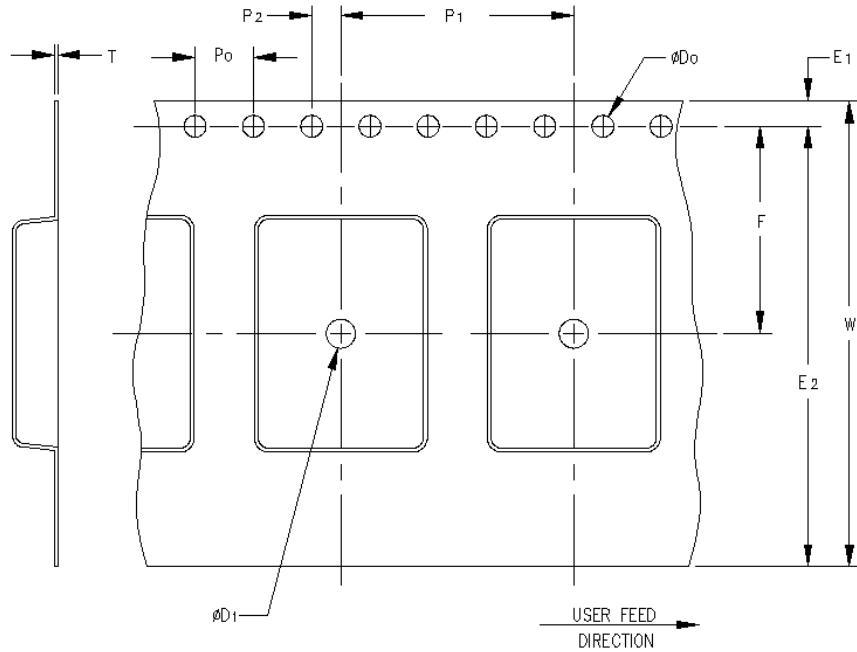
See Appendix A on the following two pages

Appendix A

Carrier Tape "From/To" Detail

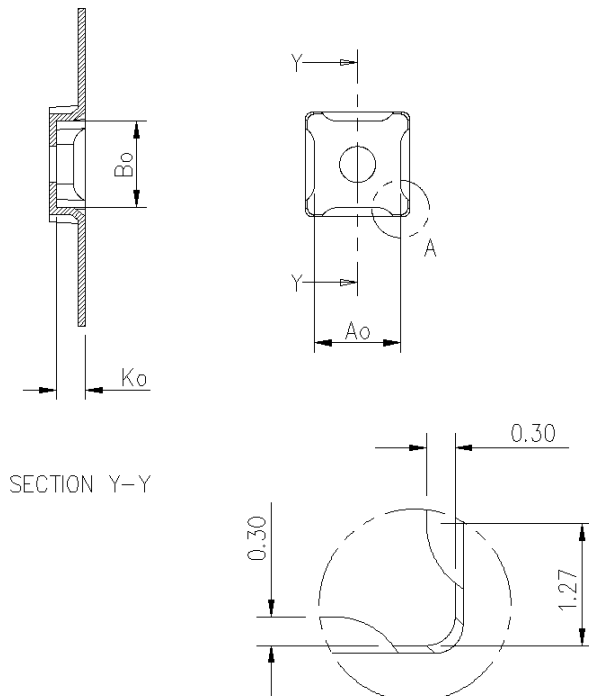
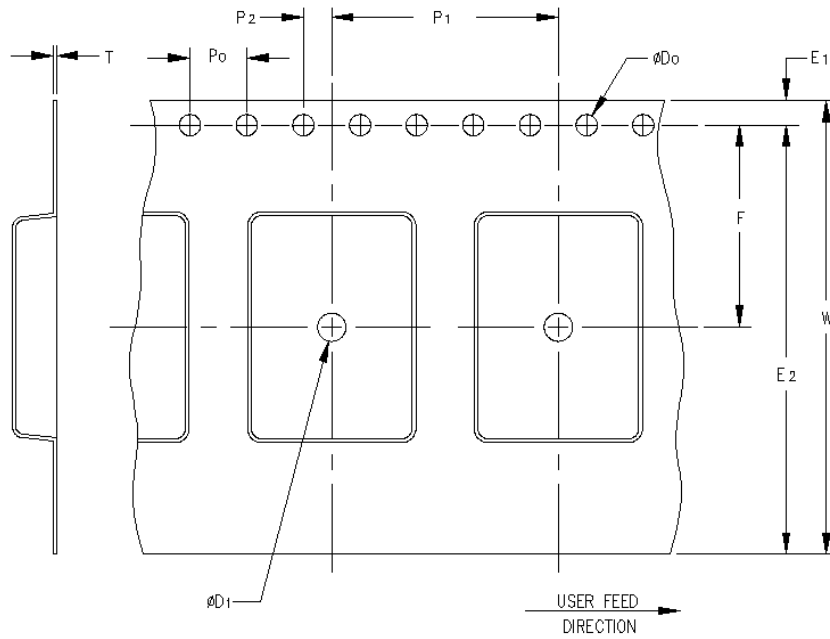
Change from 16mm width tape to 12mm width tape for VQFN devices

FROM 16mm WIDTH CARRIER TAPE: 4212589-0004



A_0	3.60 +/- 0.10
B_0	3.60 +/- 0.10
K_0	1.20 +/- 0.10
F	7.50 +/- 0.05
P_1	8.00 +/- 0.10
W	16.00 +/- 0.30

TO 12mm WIDTH CARRIER TAPE: 4212589-0018



A_0	3.60 +/- 0.10
B_0	3.60 +/- 0.10
K_0	1.20 +/- 0.10
F	5.50 +/- 0.05
P_1	8.00 +/- 0.10
W	12.00 +/- 0.30