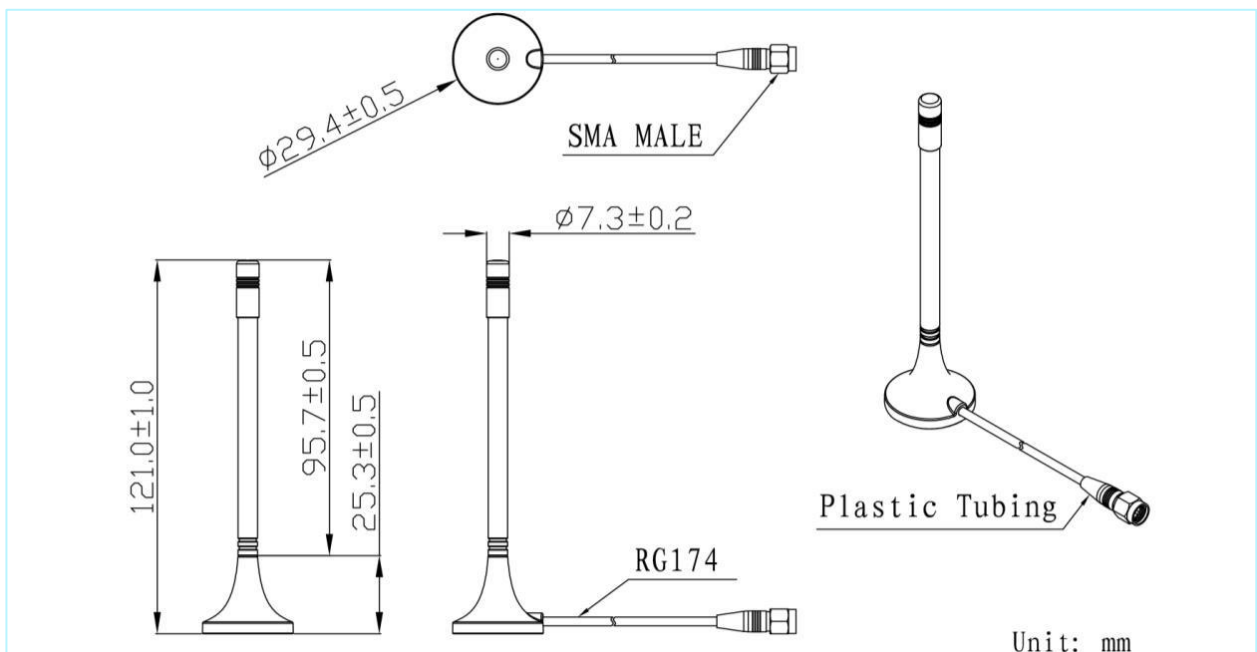


# 4G/3G/LTE antenna 900/1800/2100 MHz Circular Base mini

AN\_GSM\_016L



## Mechanical dimension





# 4G/3G/LTE antenna 900/1800/2100 MHz Circular Base mini

## Specifications

| Item          | Specifications           |  |
|---------------|--------------------------|--|
| Antenna       | Frequency Range          | 698~2690MHz                            |
|               | Polarization             | Linear                                 |
|               | Gain                     | 2.0dBi (Zenith)                        |
|               | V.S.W.R                  | <2.0                                   |
|               | Impedance                | 50Ω                                    |
| Mechanical    | Cable                    | RG174                                  |
|               | Connector                | SMA or others                          |
|               | Mounting Method          | Magnet                                 |
| Environmental | Operating Temperature    | -40°C~+85°C                            |
|               | Vibration                | 10 to 55Hz with 1.5mm amplitude 2hours |
|               | Environmentally Friendly | ROHS Compliant                         |

# 4G/3G/LTE antenna 900/1800/2100 MHz Circular Base mini

## Radiation Patterns

