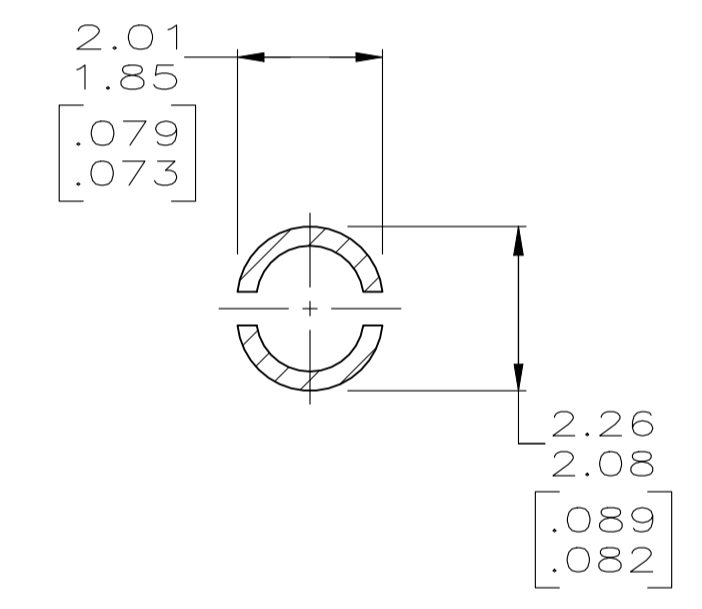
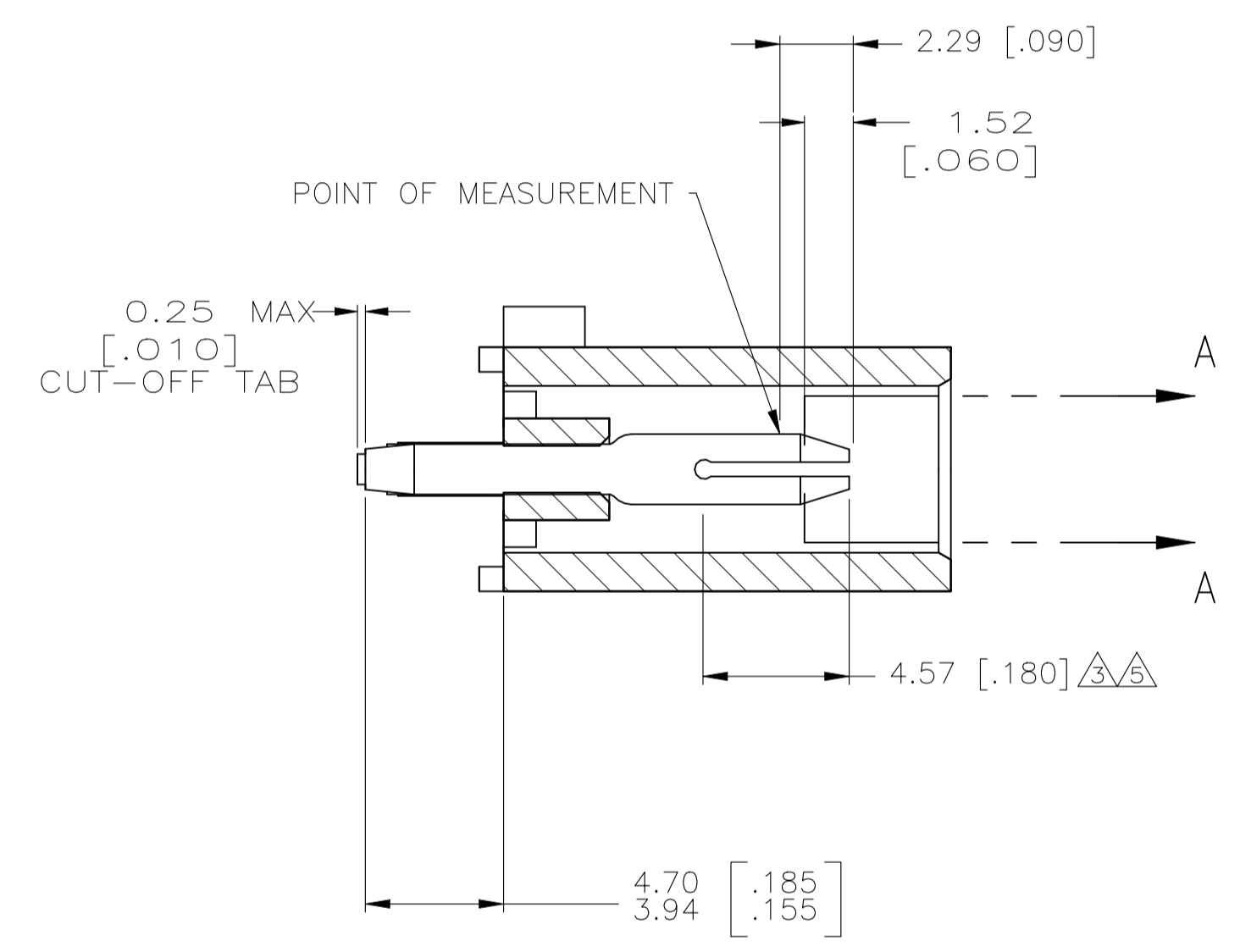
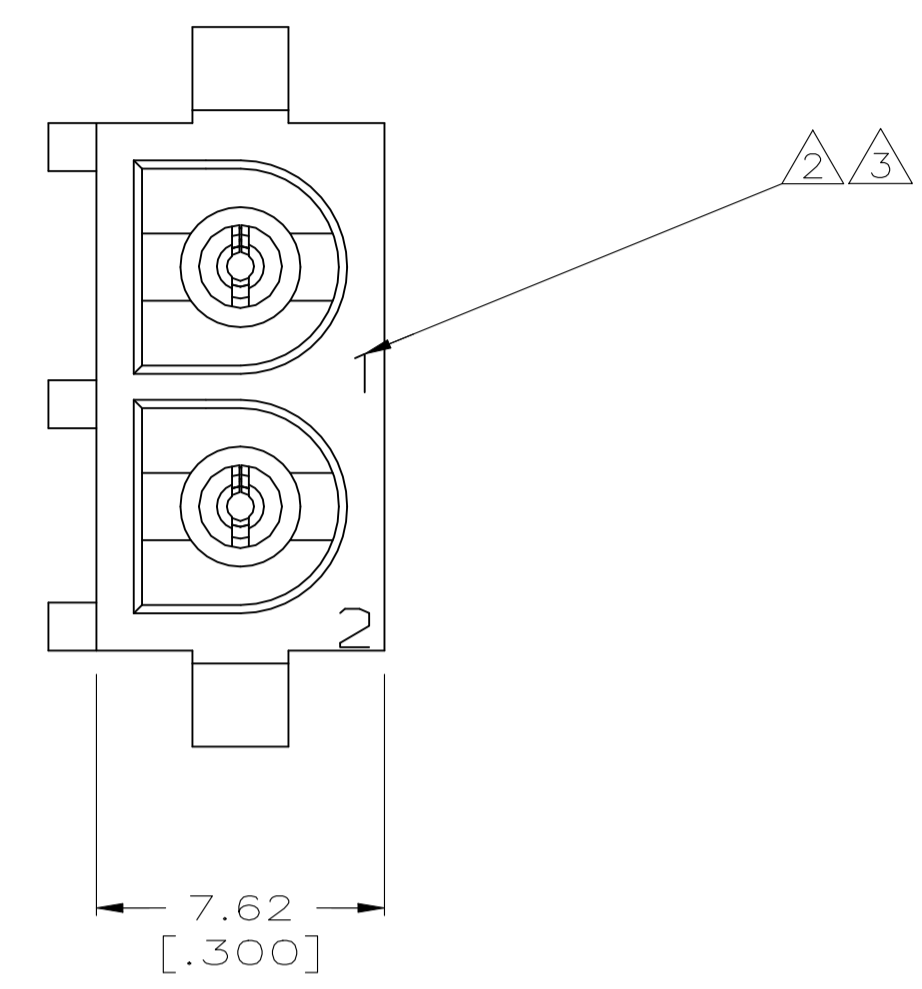
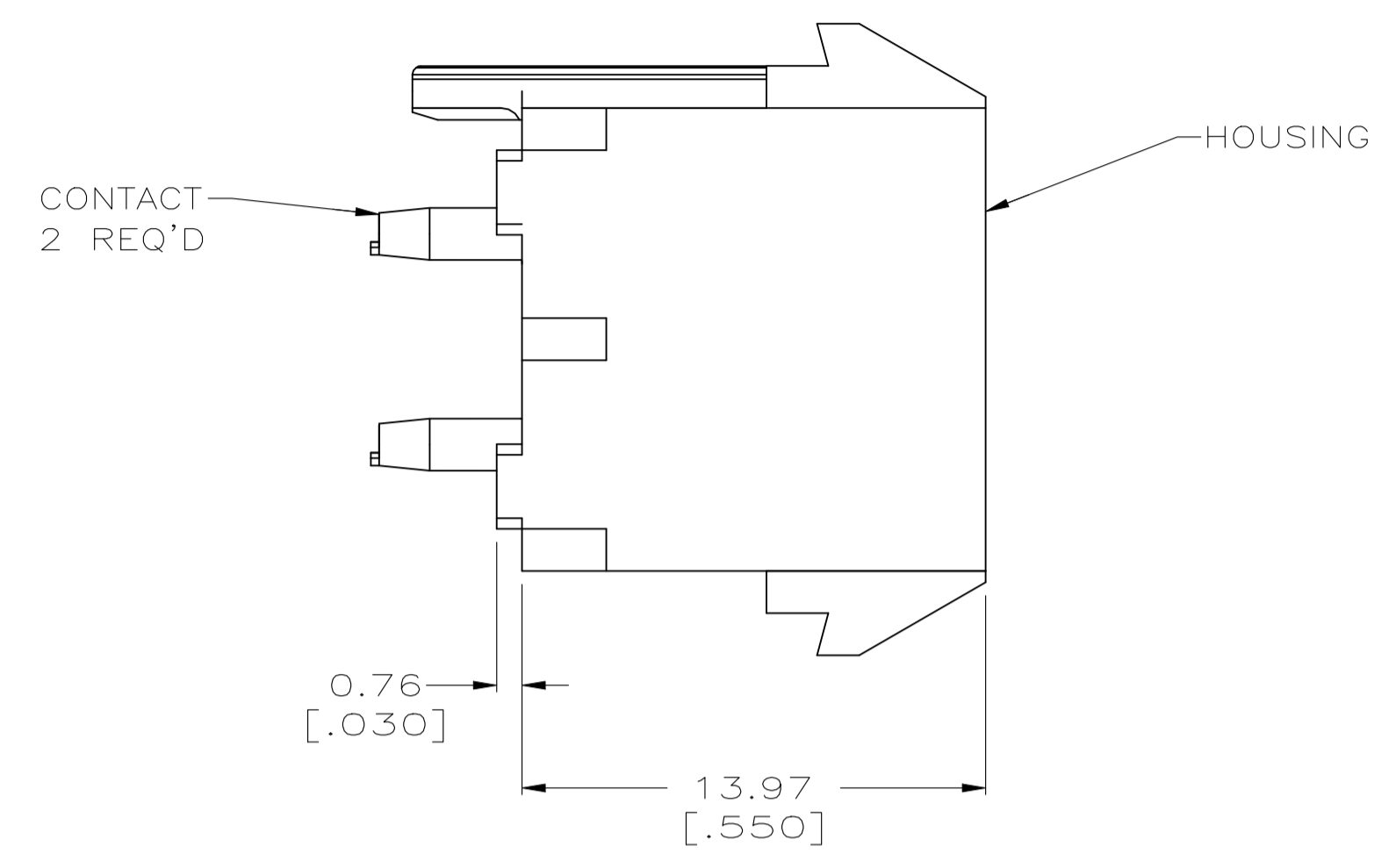
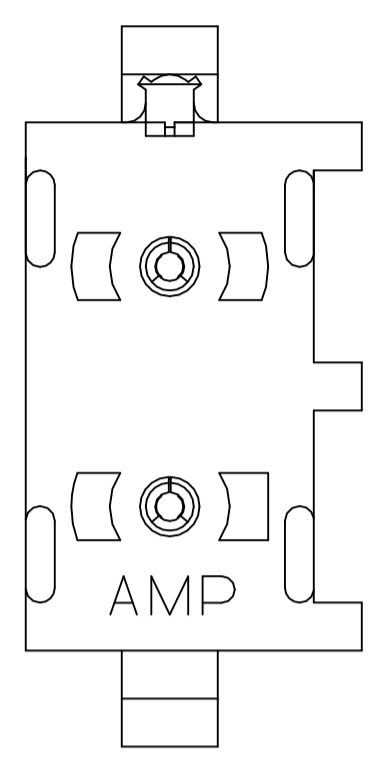
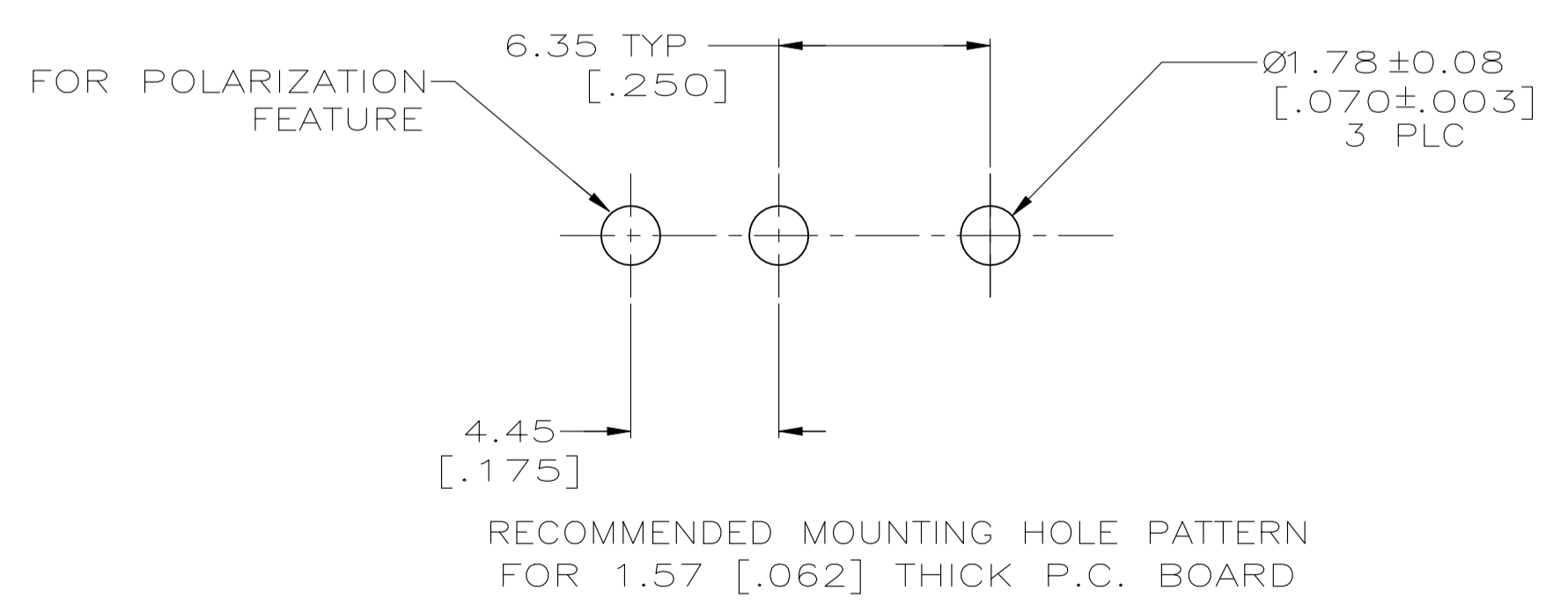


REVISIONS					
REV	DATE	DESCRIPTION	BY	CHK	APP'D
P3	21JUL2022	REVISED PER ECR-21-118222	AVN	VS	



SECTION A-A
SCALE 10:1



- 1 PARTS COMPLY TO AMP SOLDERABILITY SPECIFICATION 109-11-3.
- 2 CIRCUIT IDENTIFICATION CHARACTERS ARE ADJACENT TO THE INDICATED CAVITIES, BUT LOCATION AND ORIENTATION MAY DIFFER FROM PRINT.
- 3 CONTACT IS PLATED OVERALL WITH 0.00127 [.000050] NICKEL THEN 0.00076 [.000030] GOLD OVER CONTACT LENGTH INDICATED AND MATTE TIN LEAD ON SOLDER TAIL END.
- 4 DIMENSIONS IN BRACKETS ARE IN INCHES.
- 5 CONTACT IS PLATED OVERALL WITH 0.00127 [.000050] NICKEL THEN 0.00076 [.000030] GOLD OVER CONTACT LENGTH INDICATED AND MATTE TIN ON SOLDER TAIL END.
- 6 SUPERSEDED BY 641964-3
- 7 DIMENSIONS SHOWN REPRESENT PRODUCT IN DRY CONDITION. ADDITIONAL 2% GROWTH DUE TO END USE LOCATION MOISTURE ABSORPTION MAY OCCUR AND SHOULD BE ACCOUNTED FOR.

MATERIAL	FINISH	HOUSING MATERIAL	PART NUMBER
PHOSPHOR BRONZE, ²		NYLON,UL94V-0,WHITE	641964-3
PHOSPHOR BRONZE, ³		NYLON,UL94V-0,BLACK	1-641964-1
PHOSPHOR BRONZE, ³		NYLON,UL94V-0,WHITE	641964-2
PHOSPHOR BRONZE, PRE-TIN		NYLON,UL94V-0,WHITE	641964-1

THIS DRAWING IS A CONTROLLED DOCUMENT.

DIMENSIONS: mm [INCHES]	TOLERANCES UNLESS OTHERWISE SPECIFIED: 0 PLC ± - 1 PLC ± - 2 PLC ± 0.13 [.005] 3 PLC ± - 4 PLC ± - ANGLES ± 0°30'	DIN K. WHITAKER 19JAN2005 CHK S. RIDGILL 19JAN2005 APVD S. RIDGILL 19JAN2005 NAME PRODUCT SPEC APPLICATION SPEC SIZE CAGE CODE DRAWING NO WEIGHT 0.000000 A1 00779 C=641964 CUSTOMER DRAWING SCALE 5:1 SHEET 1 of 1 REV P3	STE TE Connectivity PIN HEADER ASSEMBLY, POLARIZED, 2 CIRCUIT, UNIVERSAL MATE-N-LOK™
----------------------------	---	--	--