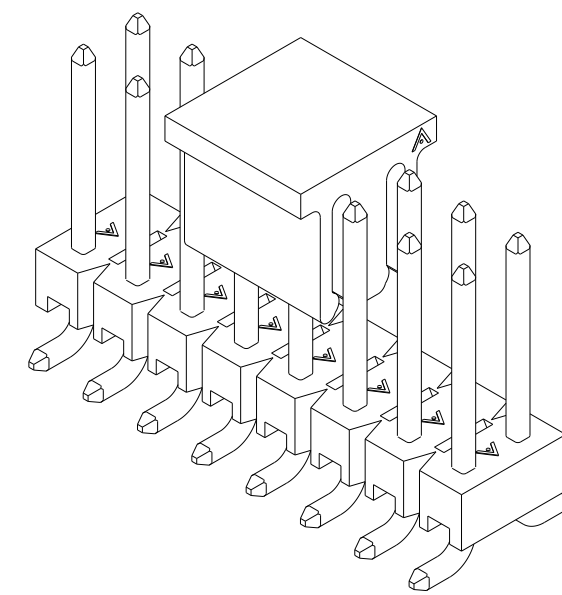
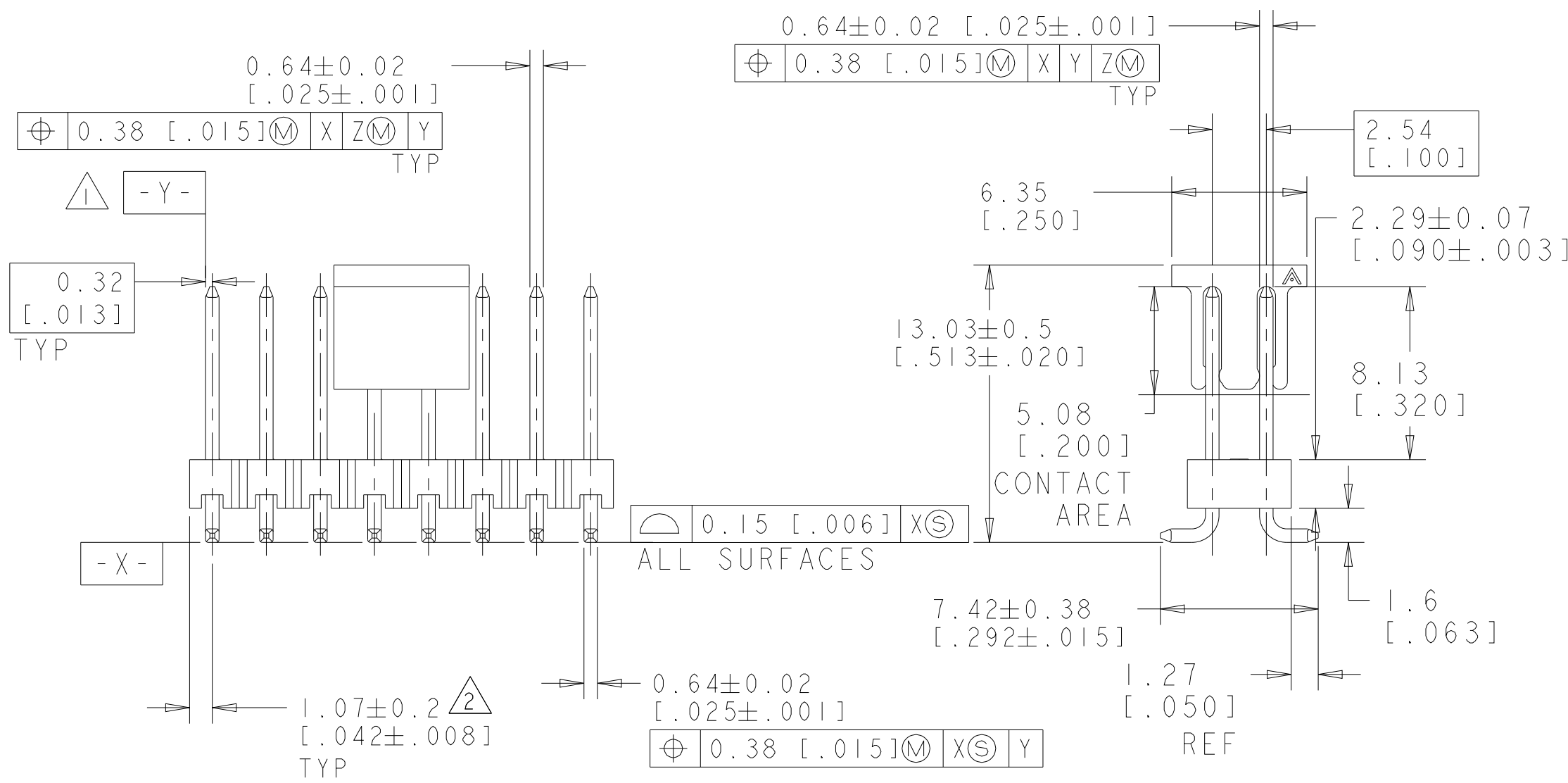
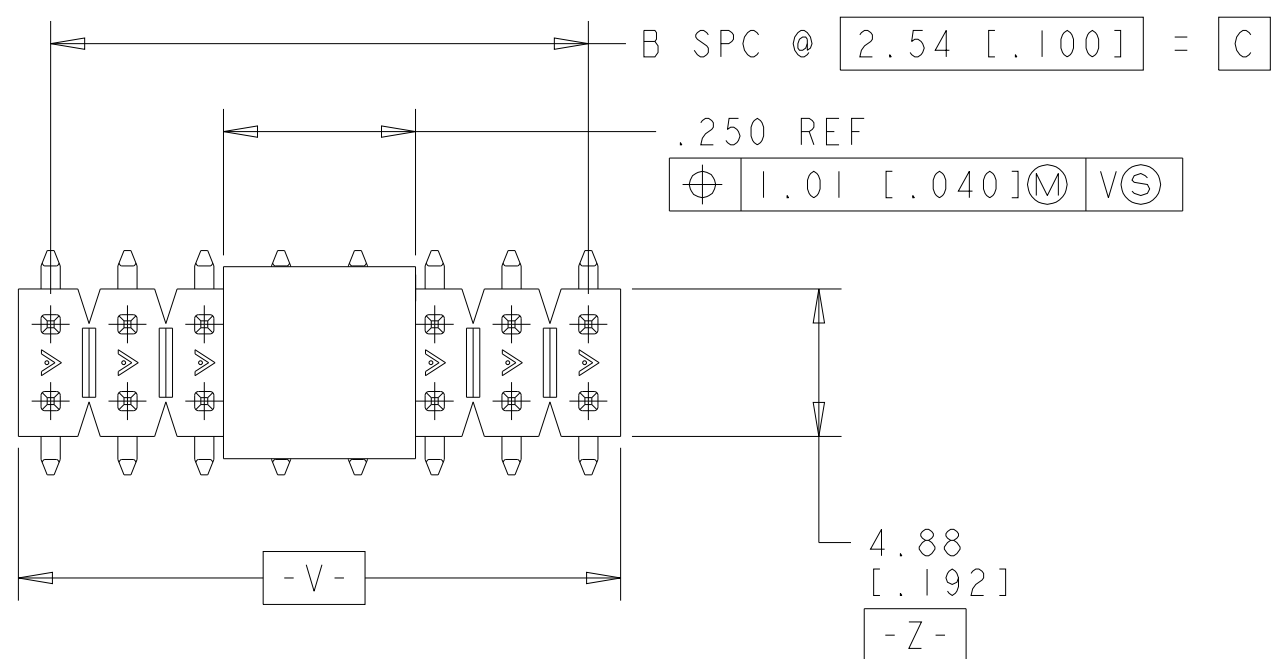


P	LTR	DESCRIPTION	DATE	DWN	APVD
H		REVISED PER ECR-22-162119	02JAN2023	RK	MF

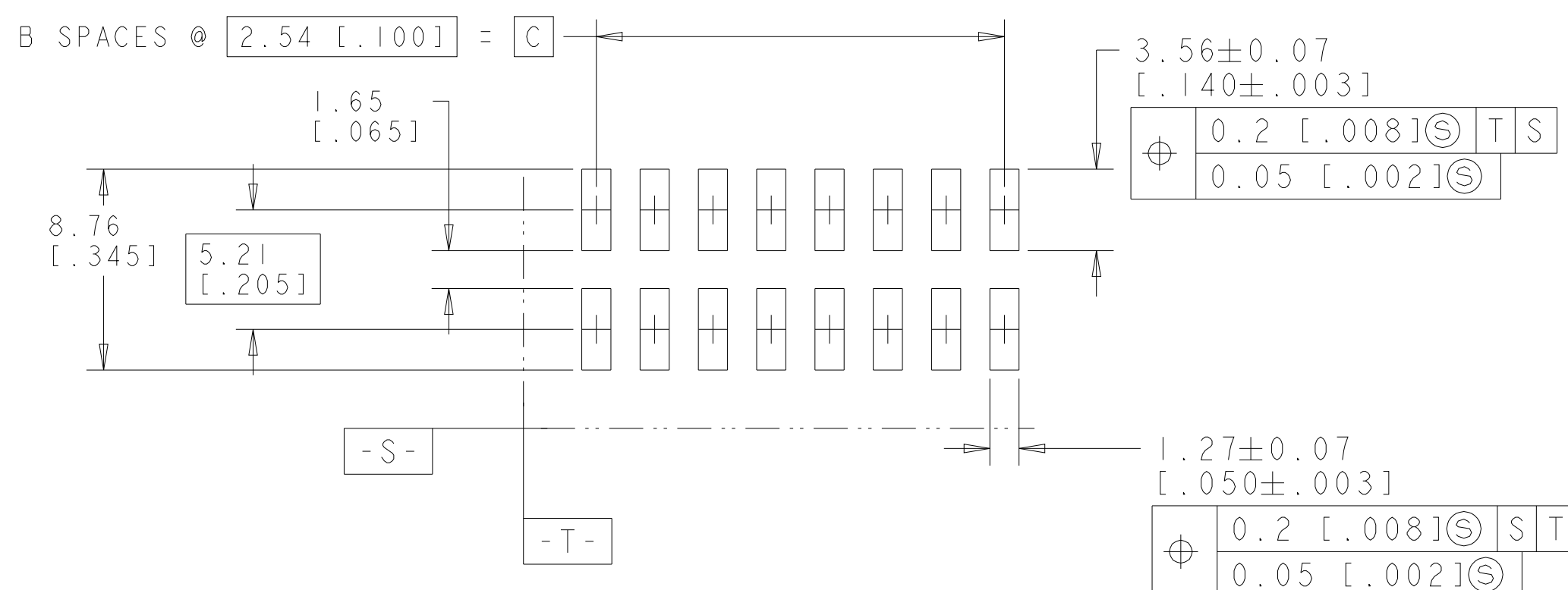
8 OBSOLETE



- 1 -Y- SHALL BE THE INTERSECTION OF THE POST AND THE HOUSING.
- 2 THE NOTED DIMENSIONS APPLY FROM THE BASIC DIMENSION (NOT THE POST CENTERLINE) TO THE SURFACE INDICATED.
- 3 0.000762 [.000030] GOLD ON CONTACT AREA, 0.00254-0.00508 [.000100-.000200] MATTE TIN-LEAD ON SOLDER TAIL, ALL OVER 0.00127 [.000050] NICKEL.
- 4 HOUSING: LCP, COLOR-BLACK.
POST: COPPER ALLOY.
PICK AND PLACE CAP: PPA, COLOR-BLACK.
- 5 PRELIMINARY PART- NOT RELEASED FOR PRODUCTION.
- 6 PACKAGED IN TAPE AND REEL PER EIA-481 SPECIFICATIONS. SEE TABLE FOR WIDTHS.
- 7 0.000762 [.000030] GOLD ON CONTACT AREA, 0.00254-0.00508 [.000100-.000200] MATTE TIN ON SOLDER TAIL, ALL OVER 0.00127 [.000050] NICKEL.



7	-	35.56 [1.400]	14	37.69 [1.484]	30	6-147447-4	5
7	-	33.02 [1.300]	13	34.23 [1.384]	28	6-147447-3	5
7	-	30.48 [1.200]	12	32.61 [1.284]	26	6-147447-2	5
7	-	27.94 [1.100]	11	30.07 [1.184]	24	6-147447-1	5
7	-	25.40 [1.000]	10	27.53 [1.084]	22	6-147447-0	5
7	-	22.86 [.900]	9	25.00 [.984]	20	5-147447-9	5
7	-	20.32 [.800]	8	22.45 [.884]	18	5-147447-8	5
7	-	17.78 [.700]	7	19.91 [.784]	16	5-147447-7	5
7	-	15.24 [.600]	6	17.37 [.684]	14	5-147447-6	5
7	32 mm	10.16 [.400]	4	12.29 [.484]	10	5-147447-5	5
7	-	12.70 [.500]	5	14.83 [.584]	12	5-147447-4	5
7	-	7.62 [.300]	3	9.75 [.384]	8	5-147447-3	5
7	-	5.08 [.200]	2	7.21 [.284]	6	5-147447-2	5
7	24 mm	2.54 [.100]	1	4.67 [.184]	4	5-147447-1	5
3	44 mm	17.78 [.700]	7	19.91 [.784]	16	+47447-8	8
3	44 mm	15.24 [.600]	6	17.37 [.684]	14	+47447-7	8
3	32 mm	12.70 [.500]	5	14.83 [.584]	12	+47447-6	8
3	32 mm	10.16 [.400]	4	12.29 [.484]	10	+47447-5	8
3	56 mm	35.56 [1.400]	14	37.69 [1.484]	30	+47447-4	8
3	24 mm	2.54 [.100]	1	4.67 [.184]	4	+47447-3	8
3	44 mm	22.86 [.900]	9	25.00 [.984]	20	+47447-2	8
3	32 mm	7.62 [.300]	3	9.75 [.384]	8	+47447-1	8



RECOMENDED PCB LAYOUT FOR USE WITH 0.20 [.008] THICK STENCIL

PLATING	TAPE WIDTH	C	B	A	NO OF POSN	PART NUMBER
7	32 mm	10.16 [.400]	4	12.29 [.484]	10	+47447-5
7	24 mm	2.54 [.100]	1	4.67 [.184]	4	5-147447-1
3	44 mm	17.78 [.700]	7	19.91 [.784]	16	+47447-8
3	44 mm	15.24 [.600]	6	17.37 [.684]	14	+47447-7
3	32 mm	12.70 [.500]	5	14.83 [.584]	12	+47447-6
3	32 mm	10.16 [.400]	4	12.29 [.484]	10	+47447-5
3	56 mm	35.56 [1.400]	14	37.69 [1.484]	30	+47447-4
3	24 mm	2.54 [.100]	1	4.67 [.184]	4	+47447-3
3	44 mm	22.86 [.900]	9	25.00 [.984]	20	+47447-2
3	32 mm	7.62 [.300]	3	9.75 [.384]	8	+47447-1

THIS DRAWING IS A CONTROLLED DOCUMENT.		DWN B. HAYMAKER	I7APROO
		CHK J. GESEFORD	I7APROO
		APVD J. GESEFORD	I7APROO
DIMENSIONS: mm [INCHES]		PRODUCT SPEC	
TOLERANCES UNLESS OTHERWISE SPECIFIED:		APPLICATION SPEC	
0 PLC	±	WEIGHT	
1 PLC	±	CUSTOMER DRAWING	
2 PLC	±	SCALE 4:1	
3 PLC	±0.13 [.005]	SHEET OF	
4 PLC	±	REV H	
ANGLES	±		
FINISH	SEE TABLE		

TE Connectivity		NAME SURFACE MOUNT HDR ASSY, MOD 11, B/A, VERT, D/R, 100 C/L, .025 SQ. POST, WITH PICK AND PLACE CAP	
SIZE	CAGE CODE	DRAWING NO	RESTRICTED TO
A2	00779	C-147447	-