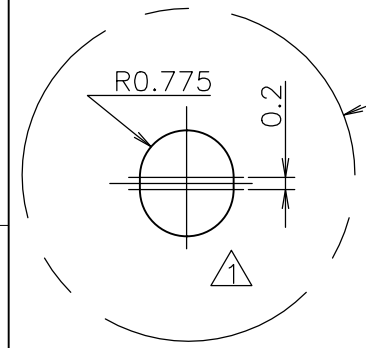
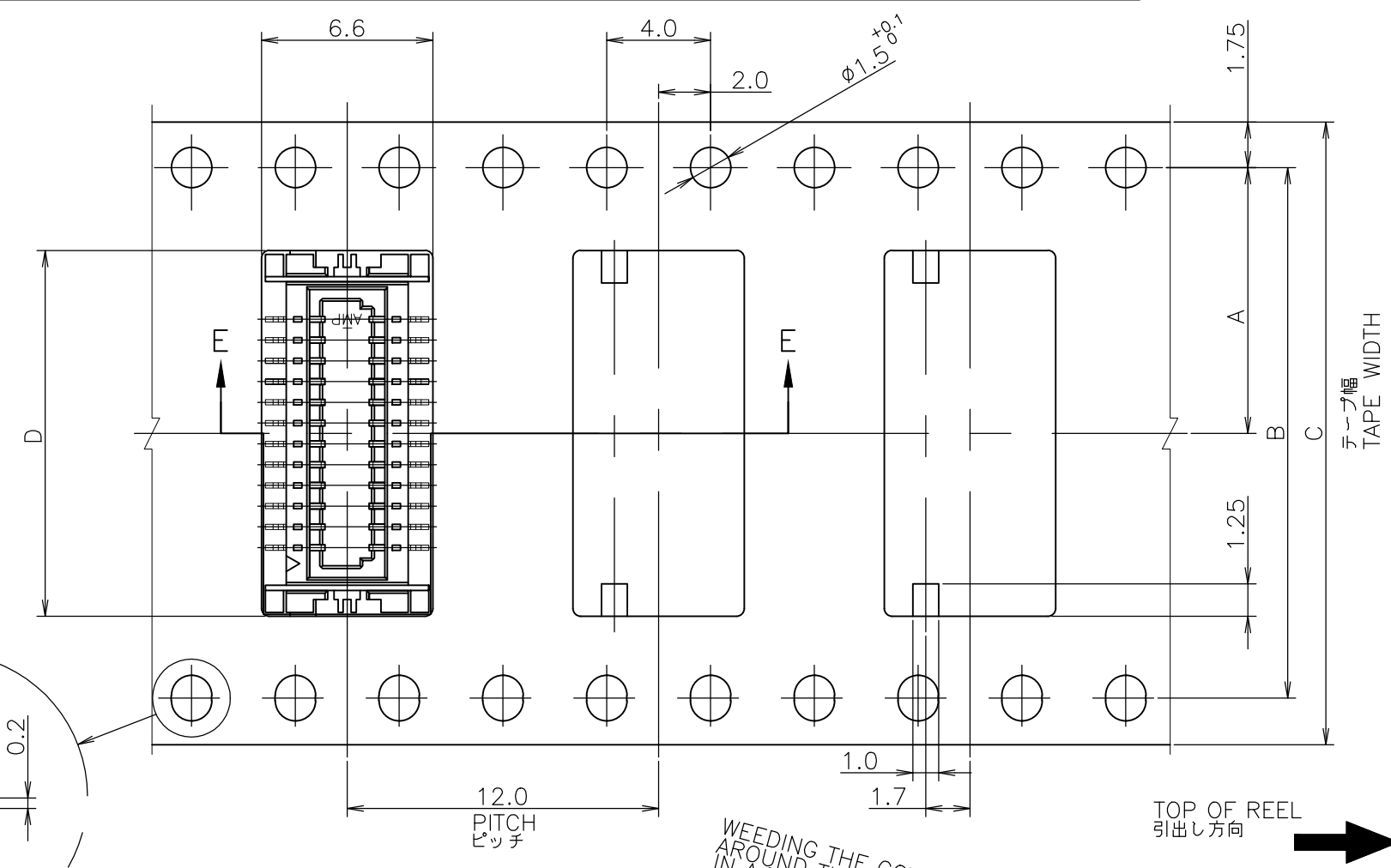
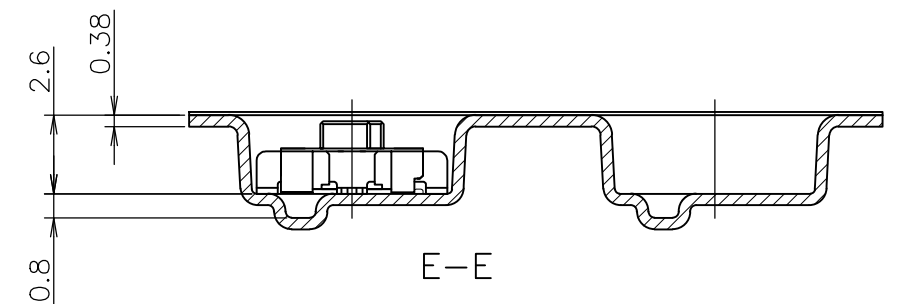


THIS DRAWING IS UNPUBLISHED. RELEASED FOR PUBLICATION .FEB 1995
 © COPYRIGHT 1995 TE Connectivity Ltd. ALL RIGHTS RESERVED.

| REVISIONS 変更 | | | | | |
|-----------------|-----|---------------------------|---------|-----|------|
| P | LTR | DESCRIPTION | DATE | DWN | APVD |
| | B | REVISED PER ECO-18-011678 | 20JUL18 | R.L | H.L |

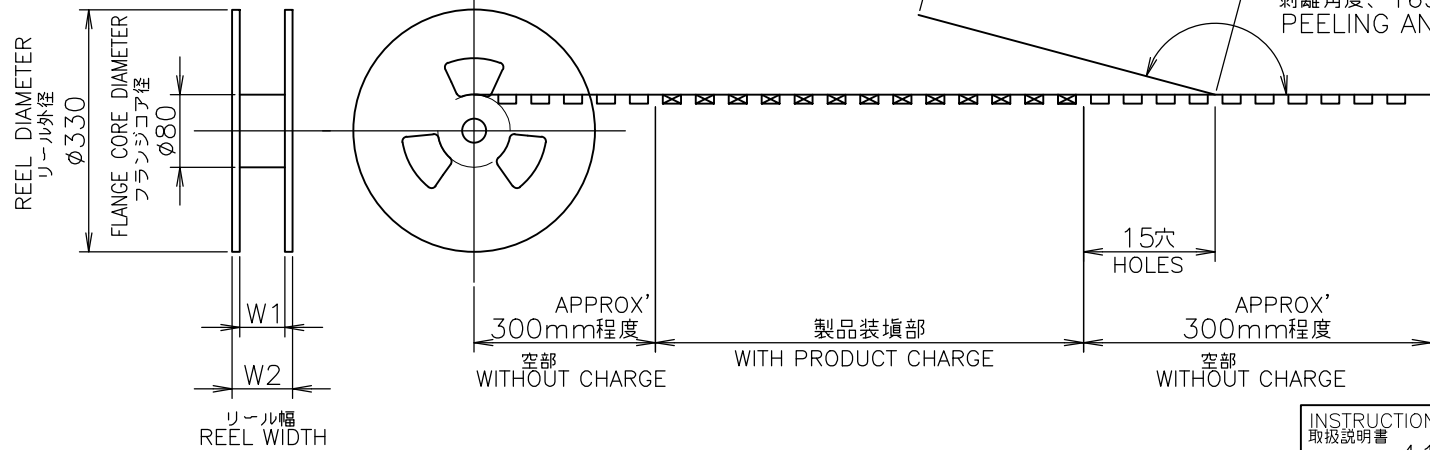


- △1 指示穴は40極品のみ適用。
- △1 THESE HOLES ARE APPLIED TO 40 Pos. ONLY.
- △2 OBSOLETE PARTS: OBSOLETE CIS STREAMLINING PER D.RENAUD/D.SINISI



WEEDING THE COVER TAPE AROUND THE OUTER PERIPHERY IN A TURN.
 カバーテープ リーダー部 外周一巻
 剥離角度、165°~180° PEELING ANGLE.

鉛フリー
LEAD FREE



| | | | | | | | | | | | | |
|-------------|------|------|------|----|------|------|----------|-----|---------------------|-----|-------------|-----|
| △2 OBSOLETE | 37.5 | 33.5 | 20.5 | 32 | 28.4 | 14.2 | ↑ | 40 | 4- | ↑-0 | -4 | ↑-0 |
| | ↑ | ↑ | 16.5 | ↑ | --- | ↑ | | 30 | 3- | -0 | 3- | -0 |
| | 29.5 | 25.5 | 14.1 | 24 | --- | 11.5 | | 24 | 2- | -4 | 2- | -4 |
| | ↑ | ↑ | 10.9 | ↑ | --- | ↑ | | 16 | 1- | -6 | 1- | -6 |
| | 21.5 | 17.5 | 10.1 | 16 | --- | 7.5 | 1500 | 14 | 1-179698-4 | | 1-179702-4 | |
| | W2 | W1 | D | C | B | A | 数量 (ヶ) | 極数 | コネクタ型番 (バラ状) | | リール巻 コネクタ型番 | |
| | | | | | | | QTY/REEL | POS | CONNECTOR P/N (L/P) | | TAPING P/N | |

INSTRUCTION SHEET 取扱説明書 411-5654

| | | | | |
|---|-----------|----------------------------|----------------------------------|-----------------|
| THIS DRAWING IS A CONTROLLED DOCUMENT. | | DWN Y.NAKAZAWA 15FEB95 | STE TE Connectivity Ltd. | |
| | | CHK K.ASAKAWA 20FEB95 | | |
| DIMENSIONS: 単位: 耗 mm | | APVD S.KUBOUCHI 21FEB95 | NAME 名称 エンボス詰 プラグ・アッセンブリ | |
| TOLERANCES UNLESS OTHERWISE SPECIFIED: 一般公差 | | PRODUCT SPEC 製品規格 108-5424 | PLUG ASSEMBLY WITHOUT BOSS 0.8mm | |
| 0 PLC ± 0.2 | | APPLICATION SPEC 取付適用規格 | 0.8mm PITCH B-T-B CONNECTOR | |
| 1 PLC ± 0.2 | | WEIGHT 0.000000 | (MATING HEIGHT 3mm) | |
| 2 PLC ± 0.2 | | CUSTOMER DRAWING | SIZE A3 | CAGE CODE 00779 |
| 3 PLC ± 0.2 | | | DRAWING NO 番号 C-179702 | RESTRICTED TO |
| 4 PLC ± 0.2 | | | SCALE 尺度 4:1 | SHEET 1 OF 1 |
| ANGLES ± 3° | | | REV B | |
| MATERIAL 材料 | FINISH 仕上 | | | |