

4

3

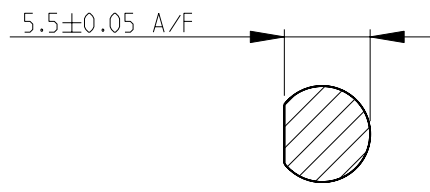
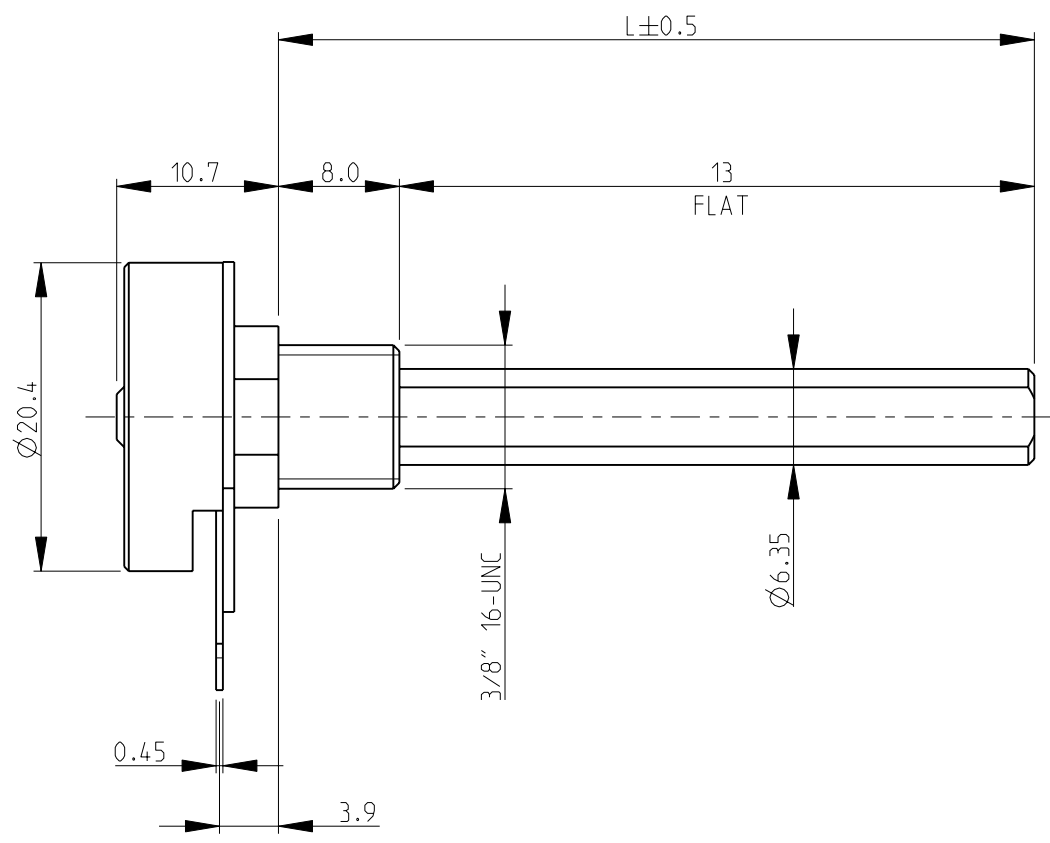
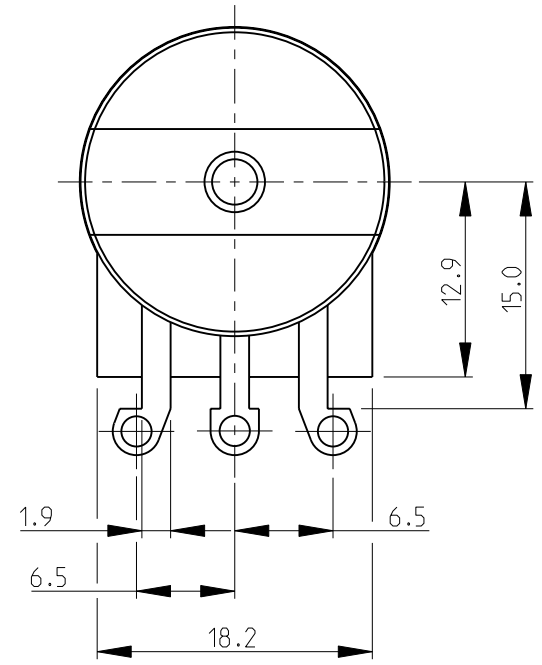
2

1

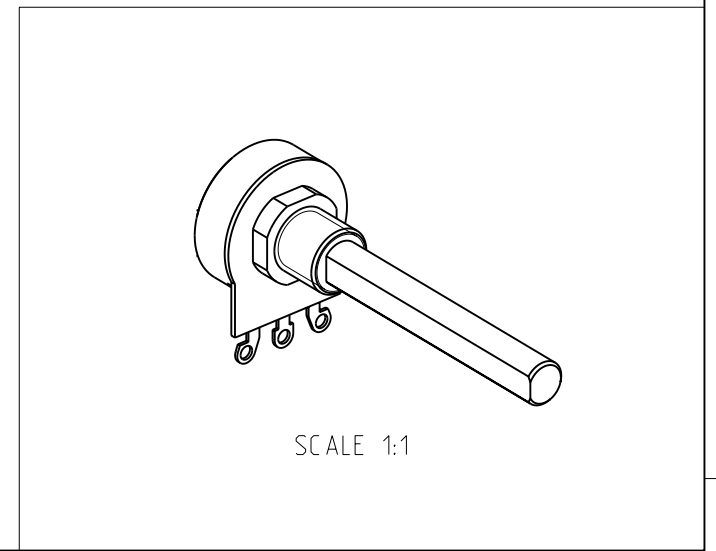
THIS DRAWING IS UNPUBLISHED. RELEASED FOR PUBLICATION 2008  
 © COPYRIGHT 2008 BY TYCO ELECTRONICS CORPORATION. ALL RIGHTS RESERVED.

LOC		DIST		REVISIONS			
P	LTR	DESCRIPTION		DATE	DWN	APVD	
	BA	NEW RELEASE		30-Jul-08	SM	St.P	

- 1 AVAILABLE IN DIFFERENT SHAFT LENGTHS (L) SEE DATA SHEET
- 2 FOR FURTHER INFORMATION SEE DATA SHEET FOR 23 SERIES-SPINDLE OPERATED POTENTIOMETER



RoHS Compliant



<small>THIS DRAWING IS A CONTROLLED DOCUMENT FOR TYCO ELECTRONICS CORPORATION IT IS SUBJECT TO CHANGE AND THE CONTROLLING ENGINEERING ORGANIZATION SHOULD BE CONTACTED FOR THE LATEST REVISION.</small>		DWN	SUBHASH.M	30-Jul-08	Tyco Electronics Corporation Dorcan, Swindon, SN3 5HH		
DIMENSIONS: mm		CHK	PRAKASH.S	30-Jul-08	NAME <b>SPINDLE OPERATED POTENTIOMETER          SERIES 23E</b>		
		APVD	STEPHEN.P	30-Jul-08			
MATERIAL -		FINISH -		PRODUCT SPEC	-		
TOLERANCES UNLESS OTHERWISE SPECIFIED:		APPLICATION SPEC		-			
MATERIAL -		FINISH -		WEIGHT	-		
CUSTOMER DRAWING				SIZE	A3	CAGE CODE	00779
SCALE 2:1				DRAWING NO	C=1624149		
SHEET 1 OF 1				RESTRICTED TO -			
REV BA				SCALE 2:1 SHEET 1 OF 1 REV BA			