

THIS DRAWING IS UNPUBLISHED.

RELEASED FOR PUBLICATION

20

© COPYRIGHT 20 BY -

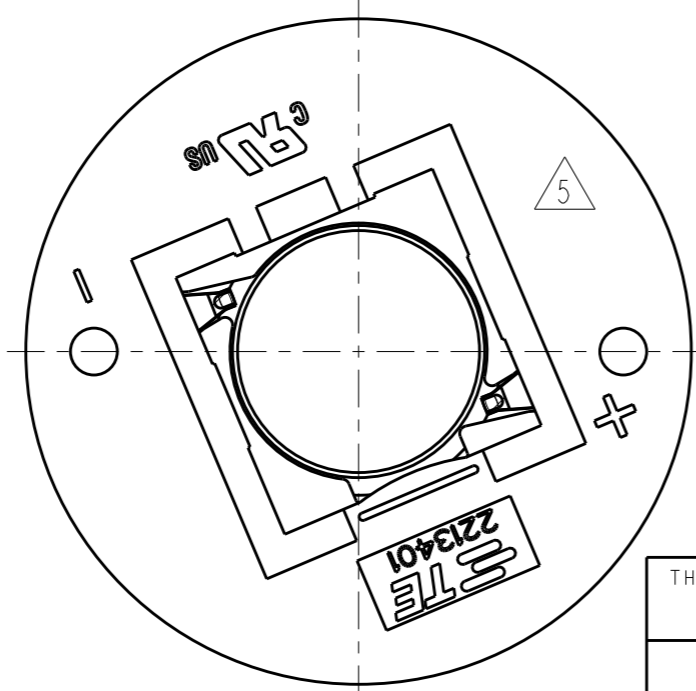
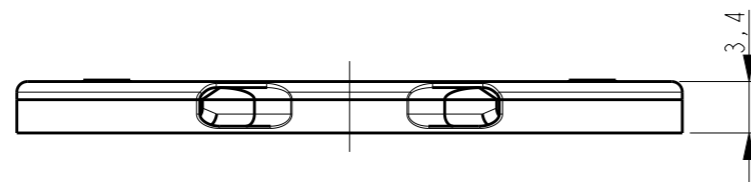
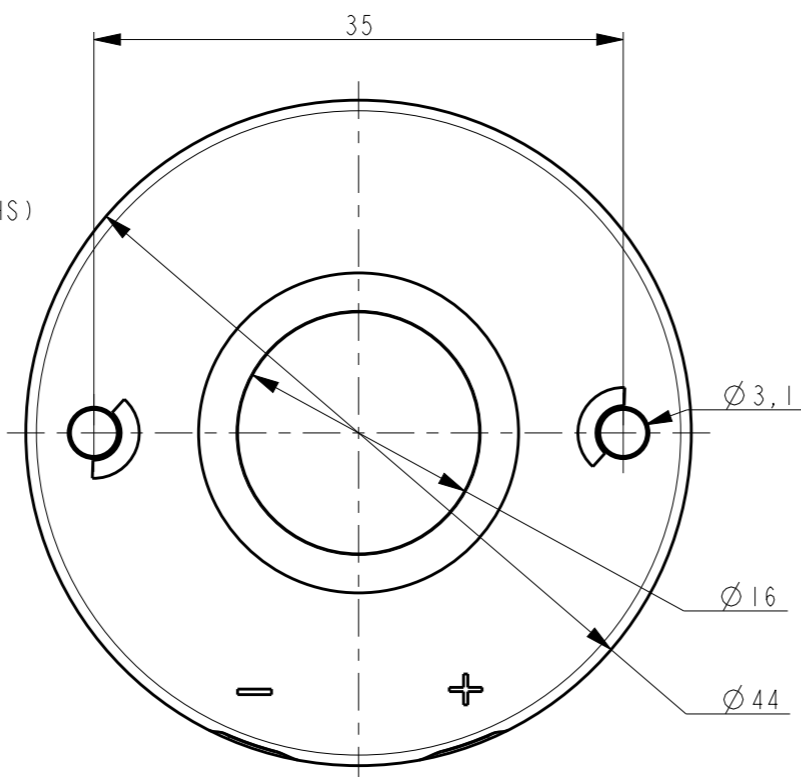
ALL RIGHTS RESERVED.

REVISIONS

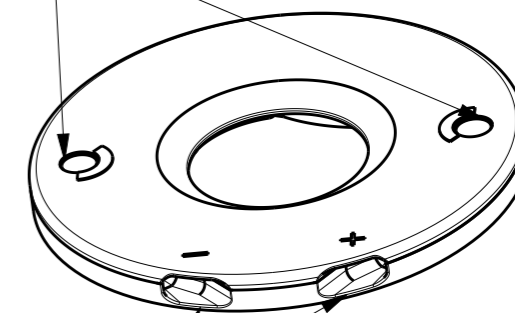
P	LTR	DESCRIPTION	DATE	DWN	APVD
B2		ECR-17-002648	24FEB2017	RK	MvE
C		REVISED PER ECR-17-005513	13APR2017	SK	MvE
D		REVISED PER ECR-18-017701	15NOV2018	GCM	DD
D1		REVISED PER ECR-19-000064	04JAN2019	SR	DD

NOTES:

- MATERIALS:
HOUSING: GLASS FILLED PBT
HALOGEN FREE FLAME RETARDANT,
COLOR : NATURAL/WHITE
CONTACTS: SILVER PLATED COPPER ALLOY
- FOR SOLID AND STRANDED WIRE AWG 22-18
- COMPLIES WITH DIRECTIVE 2002/95/EC (ROHS)
- M3 SCREW TO BE USED FOR MOUNTING
- DATE CODE YY-WW-D ANY WHERE EXCEPT OVER LOGO OR +/- SIGN.
- FOR COB-TO-HOLDER CROSS REFERENCE, REFER TO APPLICATION SPECIFICATION 114-32208.



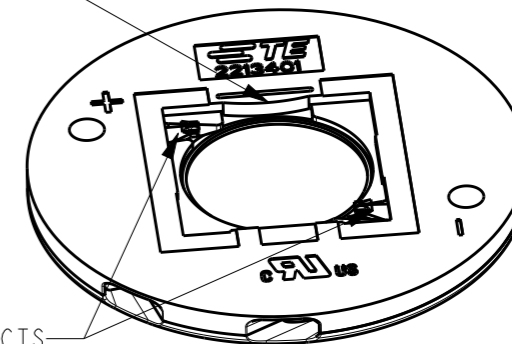
M3 SCREW HOLES



WIRE ENTRANCE

SCALE 3:2

LED CLAMPING FEATURE



LED PRESSURE CONTACTS

2213401-1 AS SHOWN
LUMAWISE LED HOLDER Z50 LOW PROFILE

LUMAWISE LED HOLDER Z50 STANDARD PROFILE 1818	2213401-2
LUMAWISE LED HOLDER Z50 LOW PROFILE 1818	2213401-1
DESCRIPTION	PART NO

THIS DRAWING IS A CONTROLLED DOCUMENT.

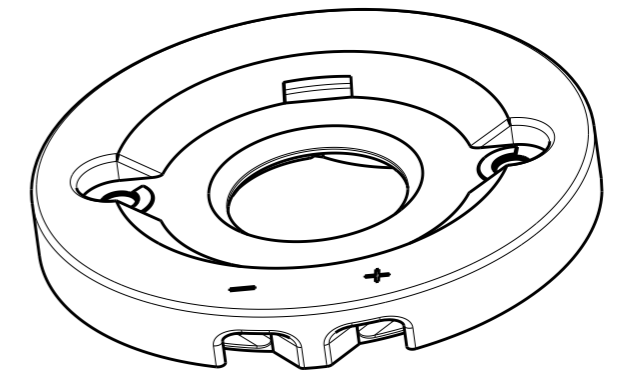
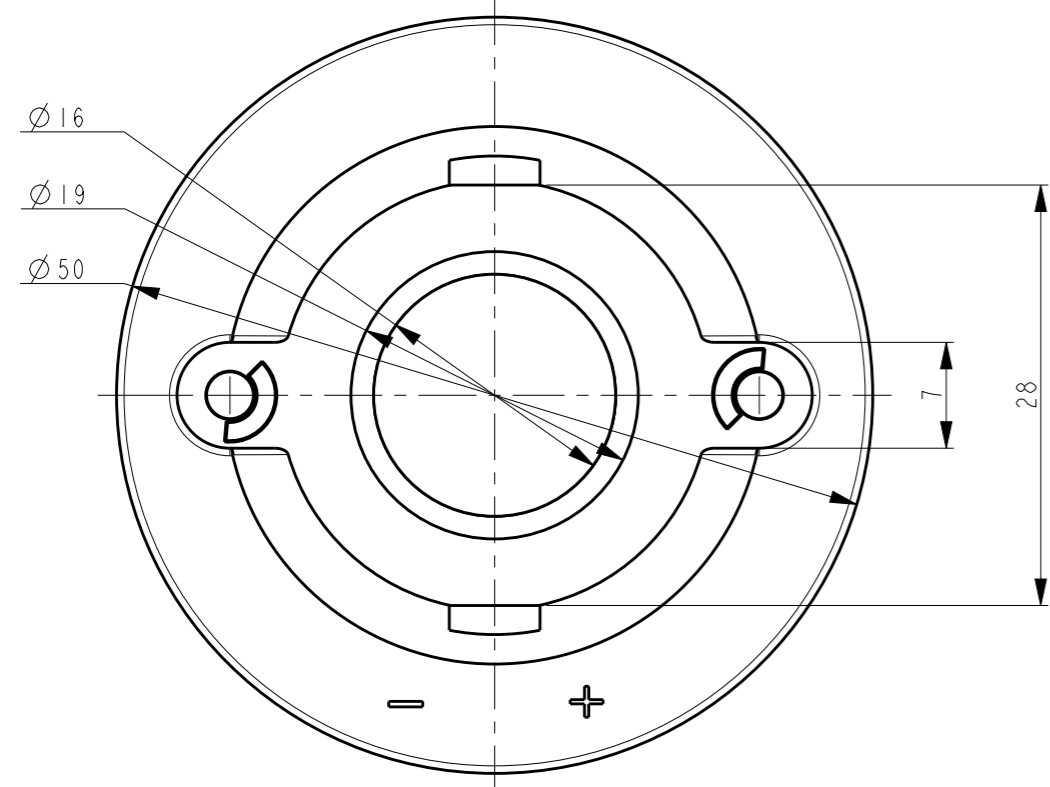
DIMENSIONS:	TOLERANCES UNLESS OTHERWISE SPECIFIED:
mm	
	0 PLC ±-
	1 PLC ±-
	2 PLC ±-
	3 PLC ±-
	4 PLC ±-
	ANGLES ±2°
MATERIAL	FINISH
-	-
-	-

DWN	28OCT2013
YASHKUMAR	
CHK	28OCT2013
M.V.ESSEN	
APVD	29OCT2013
O.I.FLJNSF	
PRODUCT SPEC	108-133008
APPLICATION SPEC	114-32048
WEIGHT	-
CUSTOMER DRAWING	

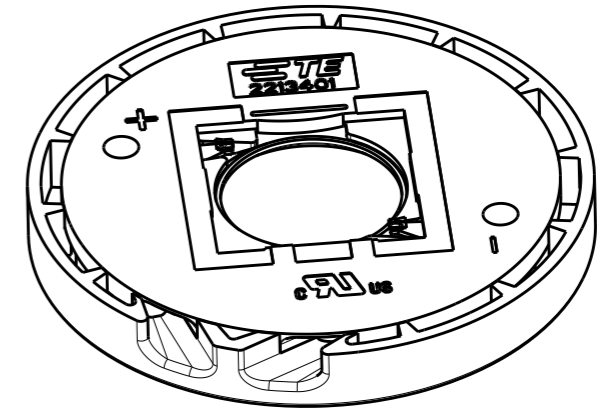
TE TE Connectivity			
NAME LUMAWISE LED HOLDER Z50 1818			
SIZE	CAGE CODE	DRAWING NO	RESTRICTED TO
A3	-	C-2213401	
SCALE		SHEET	REV
2:1		1 OF 3	D1

THIS DRAWING IS UNPUBLISHED. RELEASED FOR PUBLICATION 20
 © COPYRIGHT 20 BY - ALL RIGHTS RESERVED.

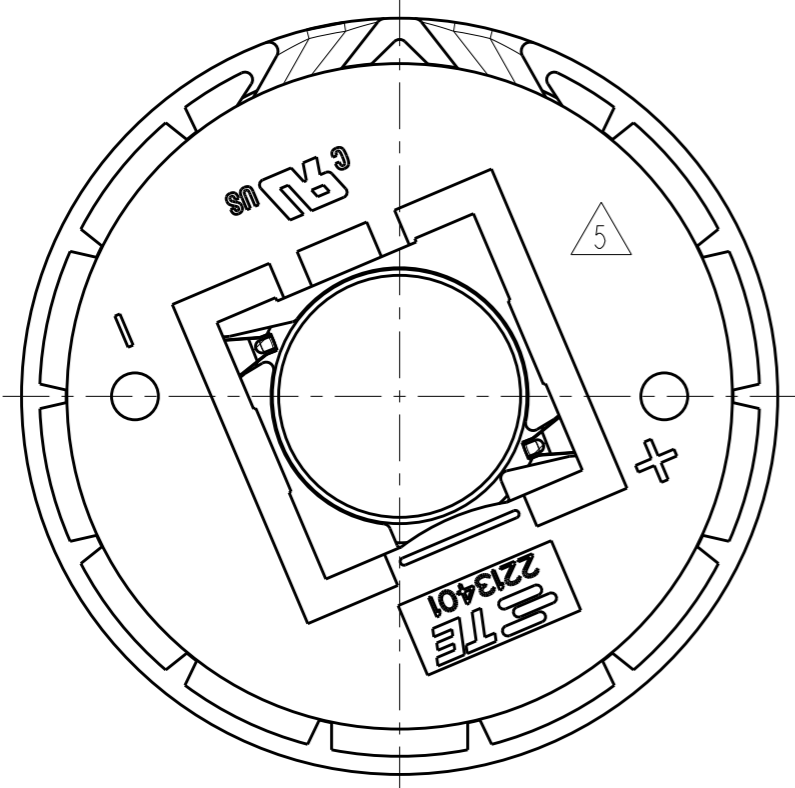
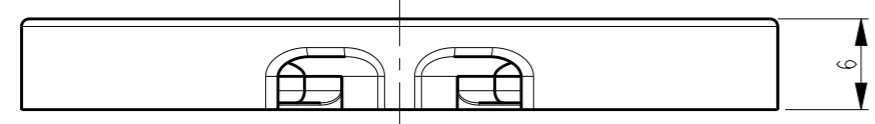
REVISIONS					
P	LTR	DESCRIPTION	DATE	DWN	APVD
-		SEE SHEET 1	-	-	-



SCALE 3:2



2213401-2 AS SHOWN
 LUMAWISE LED HOLDER Z50 STANDARD PROFILE



THIS DRAWING IS A CONTROLLED DOCUMENT.		DWN YASHKUMAR 28OCT2013	TE Connectivity		
DIMENSIONS: mm		CHK M.V.ESSEN 28OCT2013			
TOLERANCES UNLESS OTHERWISE SPECIFIED:		APVD O.I.FLJNSE 29OCT2013	NAME LUMAWISE LED HOLDER Z50 1818		
0 PLC ±- 1 PLC ±- 2 PLC ±- 3 PLC ±- 4 PLC ±- ANGLES ±2°		PRODUCT SPEC 108-133008	SIZE A3	CAGE CODE -	DRAWING NO C-2213401
MATERIAL -		FINISH -	APPLICATION SPEC 114-32048	RESTRICTED TO	
-		WEIGHT -	SCALE 2:1 SHEET 2 OF 3 REV DI		
-		CUSTOMER DRAWING			

4

3

2

1

THIS DRAWING IS UNPUBLISHED.

RELEASED FOR PUBLICATION

20

© COPYRIGHT 20

BY -

ALL RIGHTS RESERVED.

REVISIONS

P	LTR	DESCRIPTION	DATE	DWN	APVD
	-	SEE SHEET 1	-	-	-

THE SKETCH BELOW IS SHOWING THE NOMINAL LED COB DIMENSIONS TO MATCH WITH THE Z50 LED HOLDER 1818 FOR TECHNICAL DETAILS ABOUT A PROPER MATCH WITH A SPECIFIC LED COB ARRAY PLEASE CONTACT A REPRESENTATIVE AT TE-CONNECTIVITY

THIS DRAWING IS A CONTROLLED DOCUMENT.

DIMENSIONS:

mm

TOLERANCES UNLESS OTHERWISE SPECIFIED:

0 PLC	±·
1 PLC	±·
2 PLC	±·
3 PLC	±·
4 PLC	±·
ANGLES	±2°

MATERIAL

-

FINISH

-

DWN 28OCT2013

YASHKUMAR

CHK 28OCT2013

M.V.ESSEN

APVD 29OCT2013

O.I.FLJNSE

PRODUCT SPEC

108-133008

APPLICATION SPEC

114-32048

WEIGHT

-

CUSTOMER DRAWING

TE Connectivity

NAME

LUMAWISE LED HOLDER Z50 1818

SIZE

A3

CAGE CODE

-

DRAWING NO

C-2213401

RESTRICTED TO

SCALE 2:1

SHEET 3 OF 3

REV D1

1470-19 (3/13)