

VIEW FROM THE FRONT SIDE

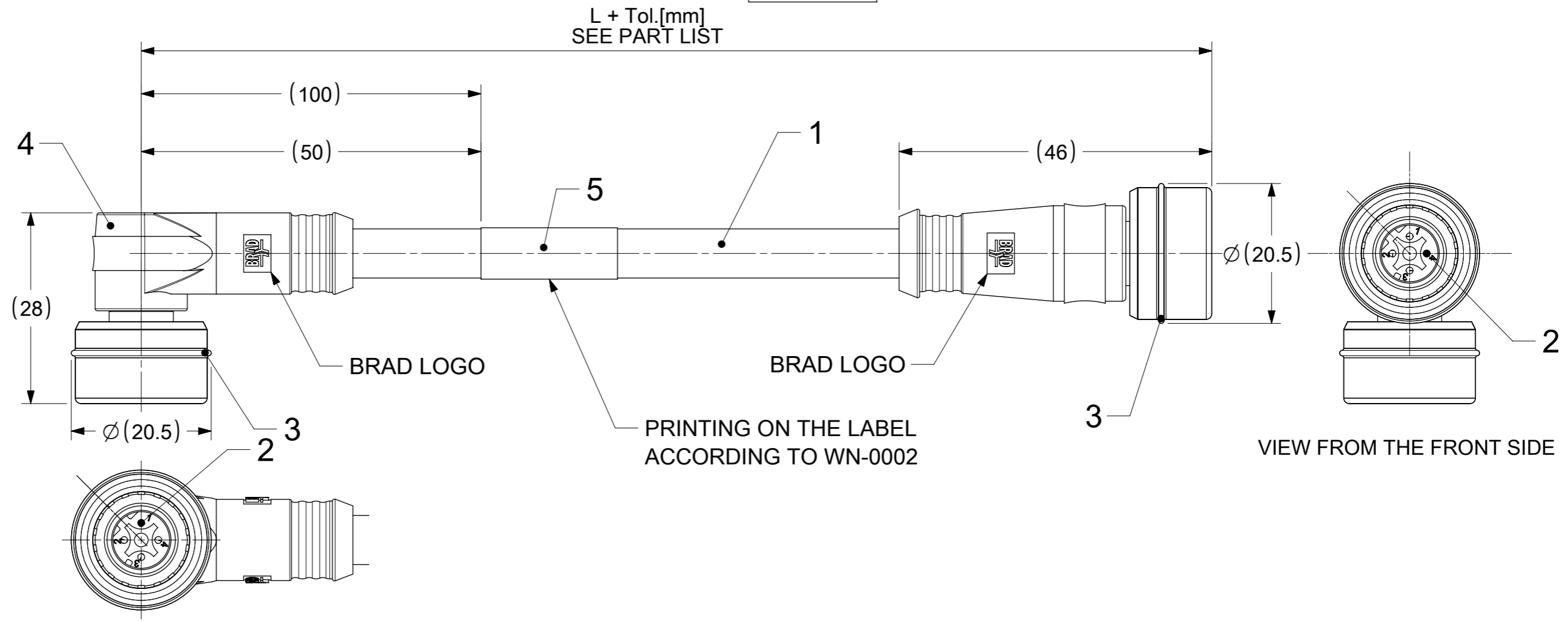
PIN	WIRE COLOR
1	OG
2	BU
3	OG/WH
4	BU/WH

NOTES :
 MAX. VOLTAGE : 30V
 MAX. CURRENT : 1.5V
 IP RATING : IP67
 OPERATING TEMPERATURE : -20°C TO +75°C

PART No. MATRIX

E	W	W	A	0	6	2	0	3	M	X	X	X
---	---	---	---	---	---	---	---	---	---	---	---	---

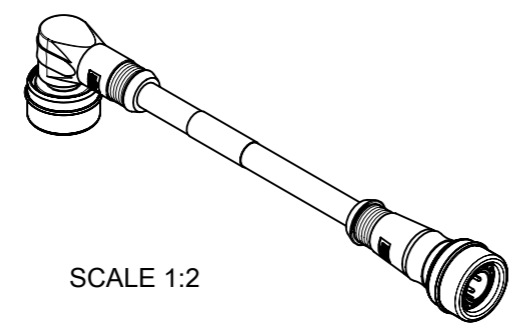
E=ETHERNET
 HEADS:
 W=M12 4-Pole Ultra Lock D-Coding
 W=M12 4-Pole Ultra Lock D-Coding
 HEADS STYLE:
 062=MALE RA / MALE STR
 UNITS:
 M=METER
 T=10x METER
 WIRING TYPE:
 A=4 Pole STRAIGHT WIRED)
 CABLE TYPE
 LENGTH EXAMPLES:
 005=0.5
 010=1
 150=15



VIEW FROM THE FRONT SIDE

PART LIST

MOLEX P/N	ENG No.	L[mm]
1201080073	EWWA06203M006	600
1201080074	EWWA06203M010	1000
1201080075	EWWA06203M020	2000
1201080076	EWWA06203M050	5000
1201080077	EWWA06203M100	10000
1201080078	EWWA06203M150	15000
1201080079	EWWA06203M300	30000
1201088050	EWWA06203M002	200
1201088204	EWWA06203M200	20000
1201088205	EWWA06203M400	40000
1201088206	EWWA06203M600	60000
1201088207	EWWA06203M800	80000
1201088208	EWWA06203T100	100000



SCALE 1:2

OVER	UP TO AND INCLUDING	TOLERANCE
0	305	+19
305	915	+45
915	1830	+56
1830	3660	+89
3660	7320	+165
7320	14640	+317
14640	30500	+610
30500	>	+2% OF LENGTH

BOM

ITEM	QTY.	DESCRIPTION	MATERIAL	FINISH/COLOR
5	1	WRAP LABEL	VINYL	YELLOW
4	-	MOULDING MATERIAL	TPU	BLACK
3	2	MIC 3P MALE ULOCK ASSEMBLY	-	-
2	8	CONTACT MALE	BRASS	SELECTIVE GOLD OVER NICKEL
1	-	CABLE ETHERNET CAT5E	TPE	TEAL

THIS DRAWING CONTAINS INFORMATION THAT IS PROPRIETARY TO MOLEX ELECTRONIC TECHNOLOGIES, LLC AND SHOULD NOT BE USED WITHOUT WRITTEN PERMISSION

FUNCTIONAL SYMBOLS: $\nabla_A = 0$, $\nabla_E = 0$, $\nabla_V = 0$

DIVISIONAL SYMBOLS: 4 PLACES ±, 3 PLACES ± 0.005, 2 PLACES ± 0.01, 1 PLACE ± 0.2, 0 PLACES ±

DRAFT WHERE APPLICABLE MUST REMAIN WITHIN DIMENSIONS

THIRD ANGLE PROJECTION

DRAWING: A3-SIZE

SERIES: 120108

MATERIAL NUMBER: SEE PART LIST

CUSTOMER: GENERAL MARKET

SHEET NUMBER: 1 OF 1

EC NO: 703182
 DRWN: SSM 2022/04/08
 CHK'D: RSILLER 2022/04/14
 APPR: RSILLER 2022/04/14

INITIAL REVISION:
 DRWN: SSM 2022/04/08
 APPR: RSILLER 2022/04/14

CURRENT REV DESC:

molex

MIC 4P M/MP ULOCK ST/90 XM

PRODUCT CUSTOMER DRAWING

DOCUMENT NUMBER: 1201080073

DOC TYPE: PSD

DOC PART: 000

REVISION: A

PART NO MATRIX

E W W A 0 6 2 0 3 M X X X

E=ETHERNET

HEADS:
W=M12 4-Pole Ultra Lock
D-Coding
W=M12 4-Pole Ultra Lock
D-Coding

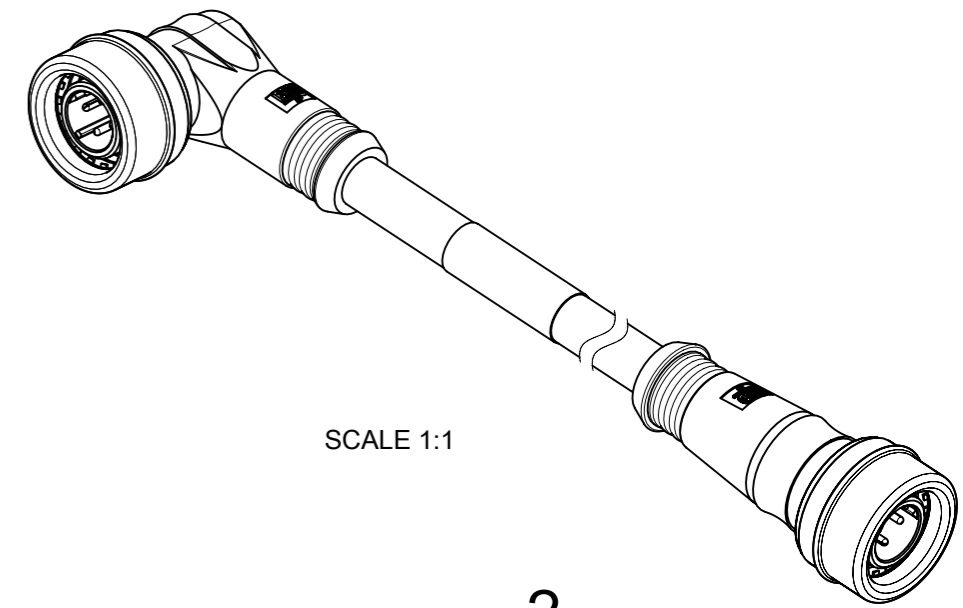
HEADS STYLE:
062 = MALE RA / MALE STR

CABLE TYPE

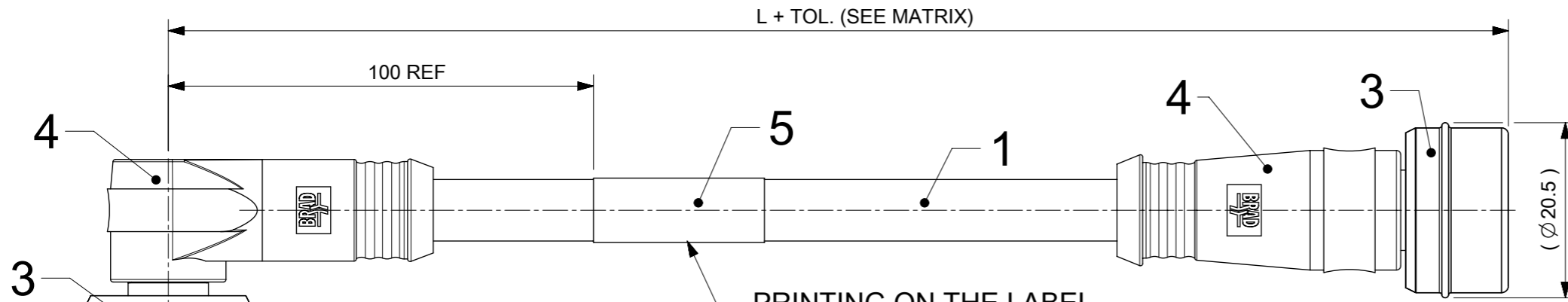
UNITS:
M=METER
T=10x METER

LENGTH EXAMPLES:
005=0.5
010=1
150=15

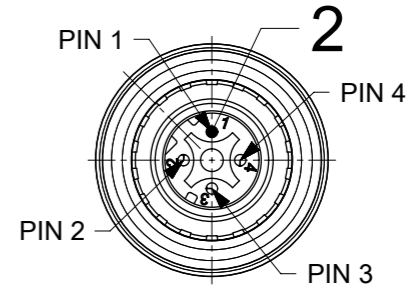
WIRING TYPE:
A= 4 Pole
STRAIGHT WIRED



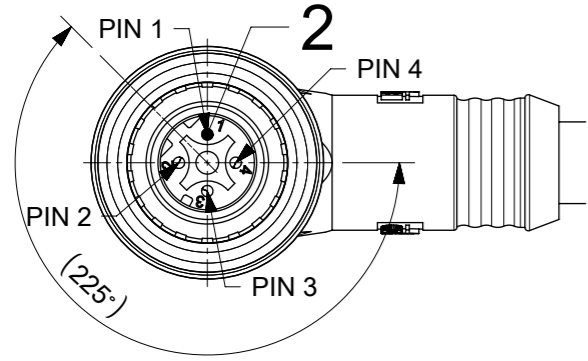
SCALE 1:1



PRINTING ON THE LABEL
ACCORDING TO WN-0002



VIEW FROM THE FRONT SIDE



VIEW FROM THE FRONT SIDE

WIRING DIAGRAM



PART LIST

SL. NO	MOLEX PN	ENGINEERING NO.	LENGTH (mm)
1	1201088050	EWWA06203M002	200
2	1201080073	EWWA06203M006	600
3	1201080074	EWWA06203M010	1000
4	1201080075	EWWA06203M020	2000
5	1201080076	EWWA06203M050	5000
6	1201080077	EWWA06203M100	10000
7	1201080078	EWWA06203M150	15000
8	1201088204	EWWA06203M200	20000
9	1201080079	EWWA06203M300	30000
10	1201088205	EWWA06203M400	40000
11	1201088206	EWWA06203M600	60000
12	1201088207	EWWA06203M800	80000
13	1201088208	EWWA06203T100	100000

DOCUMENT STATUS: P1 RELEASE DATE: 2022/07/27 07:37:29

NOTES :
ELECTRICAL DATA :
VOLTAGE RATING : 250V
AMPERAGE RATING : 4A
INSULATION RESISTANCE : 10⁸Ω MIN.
MATING CYCLES : MIN. 100

ENVIRONMENTAL :
PROTECTION CLASS : IP67/IP68/IP69K IN MATED
AND LOCKED POSITION
OPERATING TEMPERATURE : -25°C TO +80°C

BOM

ITEM	QTY.	DESCRIPTION	MATERIAL	FINISH/COLOR
5	1	WRAP LABEL	VINYL	YELLOW
4	-	MOULDING MATERIAL	TPU	BLACK
3	2	MIC 3P MALE ULOCK ASSEMBLY	-	-
2	8	CONTACT MALE	BRASS	SELECTIVE GOLD OVER NICKEL
1	-	CABLE ETHERNET CAT5E	TPE	TEAL

FUNCTIONAL SYMBOLS	THIS DRAWING CONTAINS INFORMATION THAT IS PROPRIETARY TO MOLEX ELECTRONIC TECHNOLOGIES, LLC AND SHOULD NOT BE USED WITHOUT WRITTEN PERMISSION	CURRENT REV DESC: MIGRATED AND REVISED		molex	
	DIMENSION UNITS: mm SCALE: 3:2 GENERAL TOLERANCES (UNLESS SPECIFIED): ANGULAR TOL ± 0.5° 4 PLACES ± 3 PLACES ± 0.005 2 PLACES ± 0.02 1 PLACE ± 0.01 0 PLACES ± DRAFT WHERE APPLICABLE MUST REMAIN WITHIN DIMENSIONS	EC NO: 715590 DRWN: MDHARMANTI 2022/02/25 CHK'D: RSILLER 2022/07/27 APPR: RSILLER 2022/07/27 INITIAL REVISION: DRWN: MDHARMANTI 2022/02/25 APPR: RSILLER 2022/07/27			
DIVISIONAL SYMBOLS	THIRD ANGLE PROJECTION	DRAWING	SERIES	MATERIAL NUMBER	CUSTOMER
		A3-SIZE	120108	SEE PART LIST	GENERAL MARKET
				DOCUMENT NUMBER: 1201088204	DOC TYPE: PSD DOC PART: 000 REVISION: A
					SHEET NUMBER: 1 OF 1

6

5

4

3

2

1

PART NUMBER	ENGINEERING NO.	LENGTH ± TOLERANCE
1201080074	EWWA06203M010	3' 3" +2.19"/-0" [1M +55.6/-0 mm]
1201080076	EWWA06203M050	16' 4" +6.5"/-0" [5M +165.0/-0 mm]

AUX VIEW
SCALE 1:4

FINISHED LENGTH
(SEE CHART)

4.00 REF.
101.6 REF.

1.16 REF.
29.45 REF.

1.84 REF.
46.8 REF.

1.08 REF.
27.4 REF.

Ø 0.78 REF.
19.9 REF.

Ø 0.78 REF.
19.9 REF.

P1

P2

1 2 3 4 5 6

1 2 3 4

MALE- FACE VIEW

MALE- FACE VIEW

P1		P2
1	ORANGE	1
2	BLUE	2
3	DRG/WHITE	3
4	BLUE/WHITE	4

WIRING DIAGRAM

NOTES:

- MATERIAL: SEE TABLE
- FINISHES: SEE TABLE
- CABLE: #24/4 UNSHIELDED PVC
- ELECTRICAL DATA:
ACCORDING TO CAT5e ETHERNET STANDARD
MAX. VOLTAGE: 30V
MAX. CURRENT 1.5A
- ENVIRONMENTAL:
PROTECTION IP67
TEMPERATURE RANGE: -20°C TO 75°C
- WRAP LABEL IS MARKED WITH P/N, DATE CODE,
VOLTAGE & AMPERAGE.
- ASSEMBLY IS RoHS COMPLIANT.

ITEM	QTY.	DESCRIPTION	MATERIAL	FINISH
6	1	LABEL	PLASTIC FILM	BLACK/YELLOW
5	2	INSERT	PUR	BLACK
4	8	PIN CONTACT	COPPER ALLOY	GOLD PLATED
3	2	M12 ULTRA-LOCK HEAD ASSY	BRASS	NICKEL
2	2	OVERMOLD	PUR	BLACK
1	1	ETHERNET CABLE-CAT5E	PVC JACKET	TEAL

REV	DESCRIPTION	QUALITY SYMBOLS	GENERAL TOLERANCES (UNLESS SPECIFIED)		DIMENSION STYLE	SCALE	DESIGN UNITS	THIRD ANGLE PROJECTION
			mm	INCH	IN/MM	3:4	INCH	
1	SD RELEASE EC NO: WEL2010-0005 7/9/09 DRWN: VOU CHKD: BWOODMAN APPR: JFMURPHY 2009/07/20	▽=0 ▽C=0	4 PLACES	±----	±----	DRAWN BY VOU	DATE 2009/07/07	TITLE M12 ULTRA-LOCK CABLE ASSY 4P M/MP ST/90 D-CODE #24/4 UNSHIELDED PVC
			3 PLACES	±----	±.005	CHECKED BY BWOODMAN	DATE 2009/07/31	MOLEX INCORPORATED
			2 PLACES	±----	±.010	APPROVED BY	DATE	MOLEX INCORPORATED
			1 PLACE	±----	±.020	MATERIAL NO.	DOCUMENT NO.	SHEET NO.
			ANGULAR ± 1/2°		SEE CHART	SD-120108-007		1 OF 1
			DRAFT WHERE APPLICABLE MUST REMAIN WITHIN DIMENSIONS		THIS DRAWING CONTAINS INFORMATION THAT IS PROPRIETARY TO MOLEX INCORPORATED AND SHOULD NOT BE USED WITHOUT WRITTEN PERMISSION			

6

5

4

3

2

1