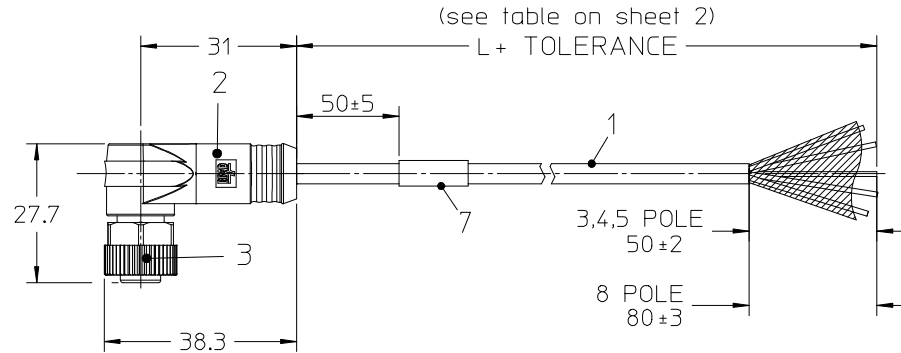
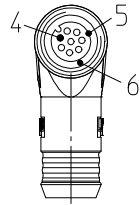


RIGHT ANGLE PLUG M12 FEMALE

VIEW FROM THE FRONT SIDE



NOTES:

TEMPERATURE RANGE SEE TABLE ON PAGE 2
 CONTACT CURRENT RATING 3-5 POLES 4A
 8 POLES 2A
 VOLTAGE RATING 3-4 POLES 250V
 5 POLES 60V
 8 POLES 30V
 PROTECTION CLASS IP 67

TOLERANCES:	
≤ 1m	+40 mm
1m - 5m	+60 mm
5m - 10m	+80 mm
> 10m	+140 mm
> 20m	+160 mm
> 30m	+1%

Mating face view:

Shield connected to the housing

M12S 3 POLE	M12S 4 POLE	M12S 5 POLE	M12S 8 POLE																																																						
<table border="1"> <thead> <tr> <th>PIN #</th> <th>WIRE</th> </tr> </thead> <tbody> <tr><td>1</td><td>BROWN</td></tr> <tr><td>2</td><td>-</td></tr> <tr><td>3</td><td>BLUE</td></tr> <tr><td>4</td><td>BLACK</td></tr> <tr><td>5</td><td>-</td></tr> </tbody> </table>	PIN #	WIRE	1	BROWN	2	-	3	BLUE	4	BLACK	5	-	<table border="1"> <thead> <tr> <th>PIN #</th> <th>WIRE</th> </tr> </thead> <tbody> <tr><td>1</td><td>BROWN</td></tr> <tr><td>2</td><td>WHITE</td></tr> <tr><td>3</td><td>BLUE</td></tr> <tr><td>4</td><td>BLACK</td></tr> <tr><td>5</td><td>-</td></tr> </tbody> </table>	PIN #	WIRE	1	BROWN	2	WHITE	3	BLUE	4	BLACK	5	-	<table border="1"> <thead> <tr> <th>PIN #</th> <th>WIRE</th> </tr> </thead> <tbody> <tr><td>1</td><td>BROWN</td></tr> <tr><td>2</td><td>WHITE</td></tr> <tr><td>3</td><td>BLUE</td></tr> <tr><td>4</td><td>BLACK</td></tr> <tr><td>5</td><td>GREY</td></tr> </tbody> </table>	PIN #	WIRE	1	BROWN	2	WHITE	3	BLUE	4	BLACK	5	GREY	<table border="1"> <thead> <tr> <th>PIN #</th> <th>WIRE</th> </tr> </thead> <tbody> <tr><td>1</td><td>WHITE</td></tr> <tr><td>2</td><td>BROWN</td></tr> <tr><td>3</td><td>GREEN</td></tr> <tr><td>4</td><td>YELLOW</td></tr> <tr><td>5</td><td>GREY</td></tr> <tr><td>6</td><td>PINK</td></tr> <tr><td>7</td><td>BLUE</td></tr> <tr><td>8</td><td>RED</td></tr> </tbody> </table>	PIN #	WIRE	1	WHITE	2	BROWN	3	GREEN	4	YELLOW	5	GREY	6	PINK	7	BLUE	8	RED
PIN #	WIRE																																																								
1	BROWN																																																								
2	-																																																								
3	BLUE																																																								
4	BLACK																																																								
5	-																																																								
PIN #	WIRE																																																								
1	BROWN																																																								
2	WHITE																																																								
3	BLUE																																																								
4	BLACK																																																								
5	-																																																								
PIN #	WIRE																																																								
1	BROWN																																																								
2	WHITE																																																								
3	BLUE																																																								
4	BLACK																																																								
5	GREY																																																								
PIN #	WIRE																																																								
1	WHITE																																																								
2	BROWN																																																								
3	GREEN																																																								
4	YELLOW																																																								
5	GREY																																																								
6	PINK																																																								
7	BLUE																																																								
8	RED																																																								
CODING REQUIRED TO IEC 61076-2-101																																																									

Bill of Materials

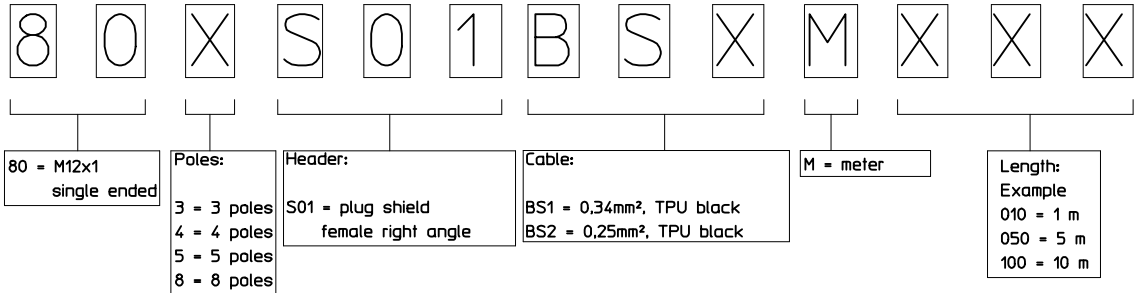
ITEM	QTY.	DESCRIPTION	MATERIAL	FINISH
7	1	LABEL	-	-
6	1	O-RING	FPM	RED
5	1	INSERT XP FEMALE M12 SHIELD	PUR	BLACK
4	X	CONTACT FEMALE	BRASS	GOLD OVER NICKEL
3	1	KNU/HEX NUT M12 FEMALE	BRASS	CuNi30
2	-	MOLDING NATURAL	TPU	BLACK
1	-	CABLE	SEE TABLE (SHEET 2)	-
ITEM	QTY.	DESCRIPTION	MATERIAL	FINISH

DIMENSION CHANGED EC NO: IPG2015-0505 DRW: MSTRASZKIEWI 2014/09/19 CHKD: JMARSZALEK 2014/09/19 APPR: MIWASIECZKO 2014/12/11	QUALITY SYMBOLS	GENERAL TOLERANCES (UNLESS SPECIFIED)	DIMENSION STYLE	SCALE	DESIGN UNITS	THIRD ANGLE PROJECTION	
	▼=0 □=0	mm INCH 4 PLACES ± --- ± --- 3 PLACES ± --- ± --- 2 PLACES ± --- ± --- 1 PLACE ± --- ± --- 0 PLACE ± --- ± ---	MM ONLY	---	METRIC	□ THIRD ANGLE PROJECTION	
	DRAWN BY: WSTRASZKIEWI 2014/06/03 CHECKED BY: FGAIK 2014/06/03 APPROVED BY: MIWASIECZKO 2014/08/21	ANGULAR ± 1 ° DRAFT WHERE APPLICABLE MUST REMAIN WITHIN DIMENSIONS	DATE: 2014/06/03 DATE: 2014/06/03 DATE: 2014/08/21	TITLE		CSE M12 XP AC FE 90 TPU XXM SE SHLD BK	
	SEE TABLE	MATERIAL NO.	SIZE: A3	THIS DRAWING CONTAINS INFORMATION THAT IS PROPRIETARY TO MOLEX INCORPORATED AND SHOULD NOT BE USED WITHOUT WRITTEN PERMISSION	DOCUMENT NO. SD-120069-007	SHEET NO. 1 OF 2	

PART LIST

MOLEX PN	ENGINEERING No.	CABLE LENGTH "L" IN M
1200698602	803S01BS1M010	1M
1200698603	803S01BS1M020	2M
1200698604	803S01BS1M050	5M
1200698605	803S01BS1M100	10M
1200698606	804S01BS1M010	1M
1200698485	804S01BS1M020	2M
1200698724	804S01BS1M030	3M
1200698486	804S01BS1M050	5M
1200698559	804S01BS1M100	10M
1200698560	804S01BS1M150	15M
1200698607	805S01BS1M010	1M
1200698608	805S01BS1M020	2M
1200698726	805S01BS1M030	3M
1200698542	805S01BS1M050	5M
1200698543	805S01BS1M100	10M
1200698609	808S01BS2M010	1M
1200698610	808S01BS2M020	2M
1200698611	808S01BS2M050	5M
1200698612	808S01BS2M100	10M

NUMERICAL CODE



CABLE SPECIFICATION

CABLE TYPE	WIRE GAUGE	CABLE JACKET	UL	CSA	static	flexing	drag chain tested	shield	other
BS1 3P, 4P, 5P	0.34mm ²	TPU black	STYLE 21215	yes	-40°C to +90°C 5xD	-25°C to +80°C 7.5xD	5 mio cycles	braid	WELD SLAG RESISTANCE
BS2 8P	0.25mm ²	TPU black	STYLE 21215	yes	-40°C to +90°C 5xD	-25°C to +80°C 7.5xD	5 mio cycles	braid	WELD SLAG RESISTANCE

For Raw Cable Specification see SD-120209-003

DIMENSION CHANGED EC NO: IPG2015-0505 DRWN:WSTRASZKIEWI 2014/09/19 CHKD:JMARSZALEK 2014/09/19 APPR:MIWASIECZKO 2014/12/11	QUALITY SYMBOLS	GENERAL TOLERANCES (UNLESS SPECIFIED)	DIMENSION STYLE	SCALE	DESIGN UNITS	THIRD ANGLE PROJECTION
	▼=0 ▽=0	mm INCH 4 PLACES ± --- ± --- 3 PLACES ± --- ± --- 2 PLACES ± --- ± --- 1 PLACE ± --- ± --- 0 PLACE ± --- ± ---	MM ONLY	---	METRIC	☉ □ THIRD ANGLE PROJECTION
	DESCRIPTION	ANGULAR ± 1 °	DRAWN BY	DATE	TITLE	CSE M12 XP AC FE 90 TPU XXM SE SHLD BK molex
		DRAFT WHERE APPLICABLE MUST REMAIN WITHIN DIMENSIONS	DATE	DATE	DATE	
	REV			SEE TABLE	MATERIAL NO.	DOCUMENT NO.