

REVISIONS				
P	LTN	DESCRIPTION	DATE	APPV
B3	ECR-11-005515		21MAR2011	SR AR
B4	ECR-11-018047		08SEP11	RK MKO
B5	ECR-16-009335		08DEC2016	GCM MKO
B6	REVISED PER ECR-17-014011		17JAN2018	SRG MKO

- NOTES
- 1 MATERIAL:SEE THE TABLE
 - 2 SURFACE:SEE THE TABLE
 - 3 PACKAGING QUANTITY: 3 PIECES IN A BOX

QTY	DESCRIPTION	MATERIAL	SURFACE	COLOR	ITEM NO	NOTE
4	WASHER	V2A			15	B6.4
4	SCREW	V2A			14	M6x30
1	HOOD HIP/EMV	Al.Leg 231	SUR TEC 650 CHROMIT AL TCP PASSIVATION	BLACK	13	THREAD 3xM25
1	HOOD HIP/EMV	Al.Leg 231	SUR TEC 650 CHROMIT AL TCP PASSIVATION	BLACK	12	THREAD 1xM63
1	HOOD HIP/EMV	Al.Leg 231	SUR TEC 650 CHROMIT AL TCP PASSIVATION	BLACK	11	THREAD 5xM40
1	HOOD HIP/EMV	Al.Leg 231	HARD COAT	BLACK	10	THREAD 1xM63
1	HOOD HIP/EMV	Al.Leg 231	HARD COAT	BLACK	9	
1	HOOD HIP/EMV	Al.Leg 231	SUR TEC 650 CHROMIT AL TCP PASSIVATION	BLACK	8	
1	HOOD HIP/EMV	Al.Leg 231	HARD COAT	BLACK	7	THREAD 4xM32
1	HOOD HIP/EMV	Al.Leg 231	SUR TEC 650 CHROMIT AL TCP PASSIVATION	BLACK	6	THREAD 4xM32
1	HOOD HIP/EMV	Al.Leg 231	HARD COAT	BLACK	5	THREAD 2xM50+1.M20.G
1	HOOD HIP/EMV	Al.Leg 231	SUR TEC 650 CHROMIT AL TCP PASSIVATION	BLACK	4	THREAD 2xM50+1.M20.G
1	HOOD HIP/EMV	Al.Leg 231	HARD COAT	BLACK	3	THREAD 2xM40+1.M20.G
1	HOOD HIP/EMV	Al.Leg 231	SUR TEC 650 CHROMIT AL TCP PASSIVATION	BLACK	2	THREAD 2xM40+1.M20.G
1	HOOD HIP/EMV	Al.Leg 231	SUR TEC 650 CHROMIT AL TCP PASSIVATION	BLACK	1	THREAD 4xM25
1-5	DESCRIPTION					
1-2	HF-EMVK12.ST0.2M40G+1.M20G					
1-1	HF-HIPK12.ST0.2M40G+1.M20G					
1-0	HF-EMVK12.ST0.2M50G+1.M20G					
0-9	HF-HIPK12.ST0.2M50G+1.M20G					
0-8	HF-EMVK12.ST0.4M32G					
0-7	HF-HIPK12.ST0.4M32G					
0-6	HF-EMVK12.ST0.4M25G					
0-5	HF-EMV-K.12.ST-WE					
0-4	HF-HIP-K.12.ST-WE					
0-3	HF-HIPK12.ST0.1M63G					
0-2	HF-EMVK12.ST0.5M40G					
0-1	HF-EMVK12.ST0.1M63G					
0	HF-EMV-K.12.ST0.3.M25.G					

THIS DRAWING IS A CONTROLLED DOCUMENT. DWG: SCHNEIDER 18.05.2006
 CHK: H.BRAUN 09.09.2001

DIMENSIONS: mm

TOLERANCES UNLESS OTHERWISE SPECIFIED:
 0 PL ±0.1
 1 PL ±0.1
 2 PL ±0.1
 3 PL ±0.1
 4 PL ±0.1
 ANGLES ±0.1

MATERIAL: 1
 FINISH: 2

APVD: T.SCHNURPEIL 09.09.2001
 PRODUCT SPEC: 108-74XXX
 APPLICATION SPEC: 116-74XXX

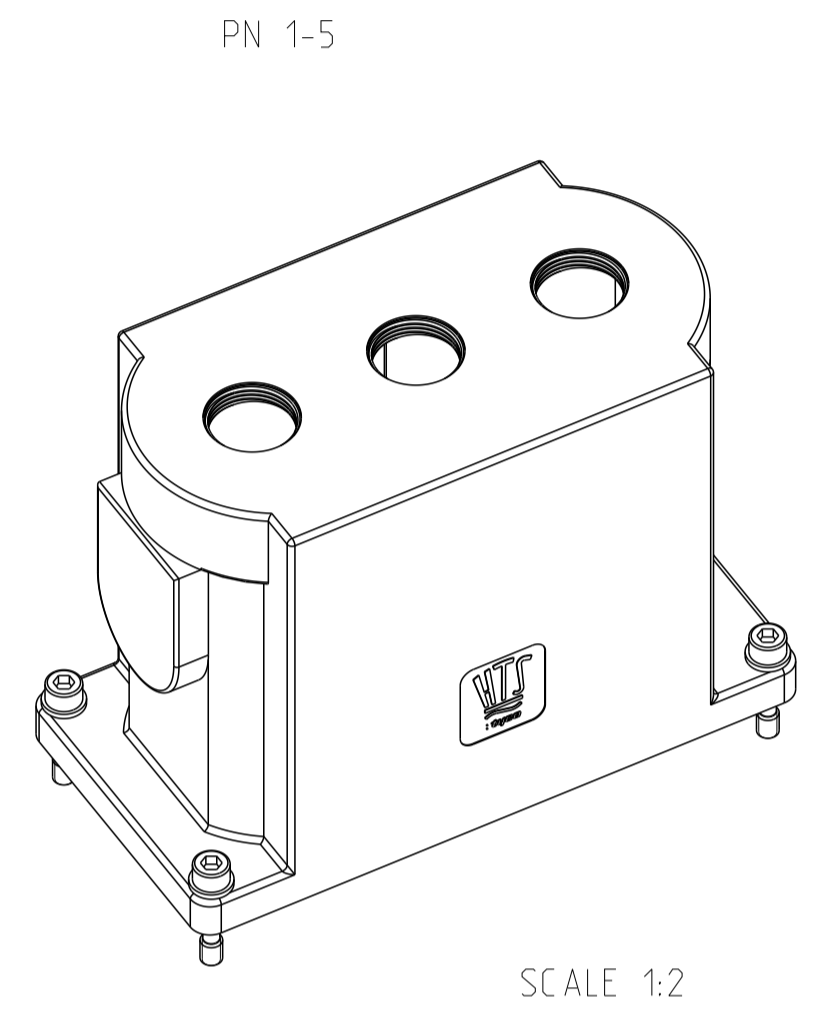
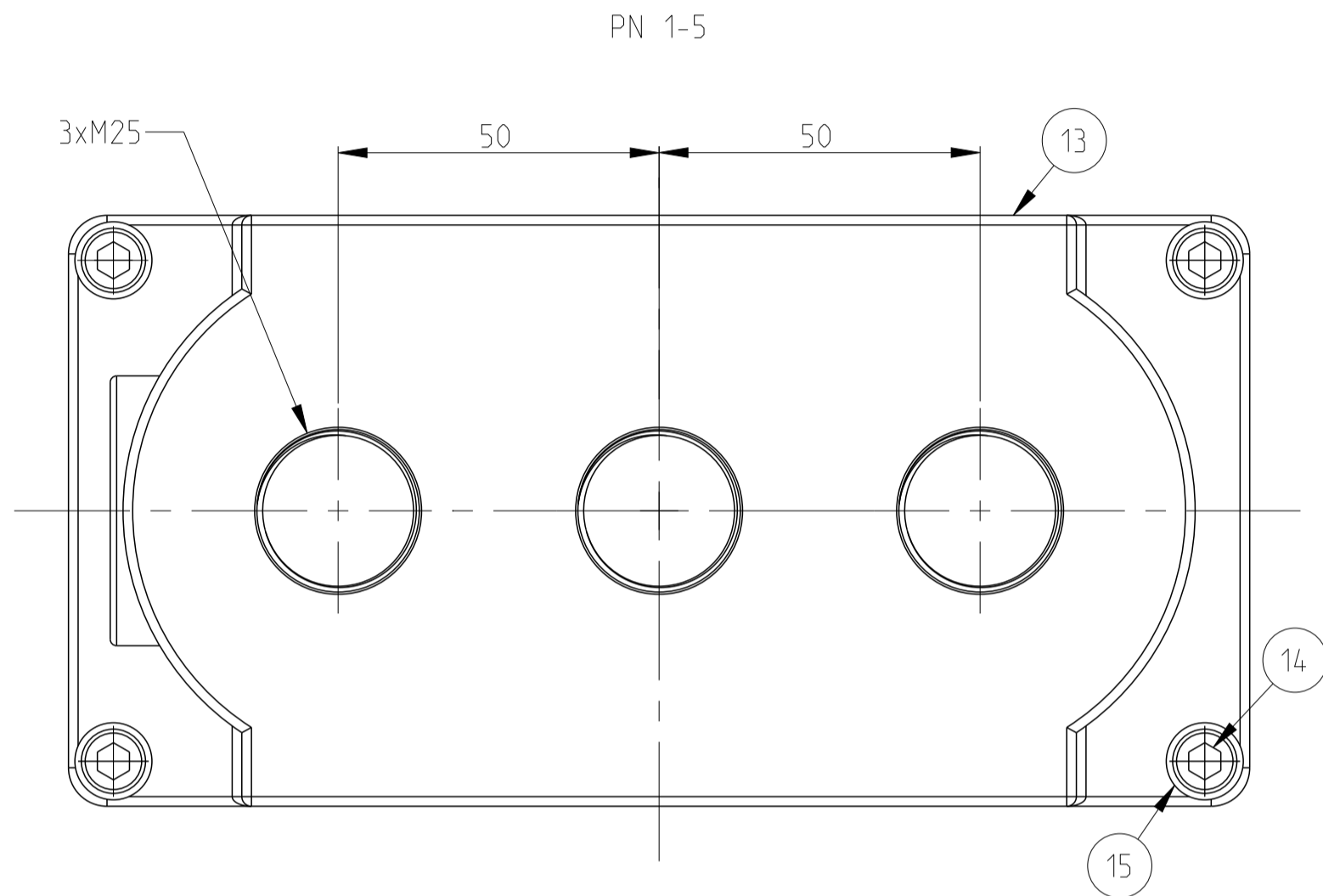
NAME: HOOD SERIES HF SIZE 12

SIZE: A1 CAGE CODE: 0079 DRAWING NO: C=1102840

RESTRICTED TO: CUSTOMER DRAWING

SCALE: 5:1 SHEET: 1 OF 2 REV: B6

REVISIONS				
P.	LTN	DESCRIPTION	DATE	APVD
-		SEE SHEET 1	-	-



THIS DRAWING IS A CONTROLLED DOCUMENT.		DWN SCHNEIDER 16.05.2006		TE Connectivity																					
		CHK H.BRAUN 09.09.2001																							
DIMENSIONS: mm		TOLERANCES UNLESS OTHERWISE SPECIFIED:		NAME HOOD SERIES HF SIZE 12																					
<table border="1"> <tr><td>0</td><td>PLC</td><td>±0.1</td></tr> <tr><td>1</td><td>PLC</td><td>±0.1</td></tr> <tr><td>2</td><td>PLC</td><td>±0.1</td></tr> <tr><td>3</td><td>PLC</td><td>±0.1</td></tr> <tr><td>4</td><td>PLC</td><td>±0.1</td></tr> <tr><td colspan="2">ANGLES</td><td>±0.5°</td></tr> <tr><td colspan="2">FINISH</td><td>±0.1</td></tr> </table>		0	PLC	±0.1	1	PLC	±0.1	2	PLC	±0.1	3	PLC	±0.1	4	PLC	±0.1	ANGLES		±0.5°	FINISH		±0.1	APVD T.SCHNURPFEL 09.09.2001		SIZE A1
0	PLC	±0.1																							
1	PLC	±0.1																							
2	PLC	±0.1																							
3	PLC	±0.1																							
4	PLC	±0.1																							
ANGLES		±0.5°																							
FINISH		±0.1																							
MATERIAL		PRODUCT SPEC 108-74XXX		CAGE CODE 0079																					
		APPLICATION SPEC 116-74XXX		DRAWING NO C=1102840																					
		WEIGHT		RESTRICTED TO																					
		CUSTOMER DRAWING		SCALE 5:1 SHEET 2 OF 2 REV B6																					