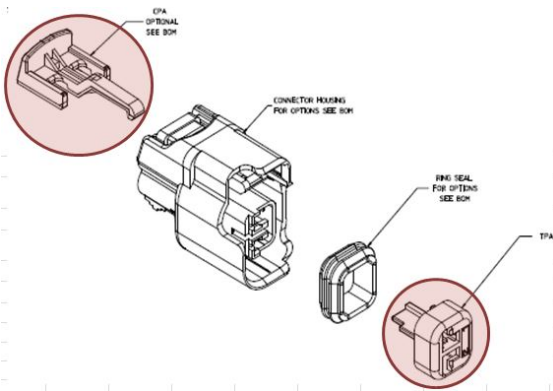


Product Change Notification (PCN)

PCN Number	500663	Date Issued	May 06, 2016
Product Family	Please refer to the full part list attachment for details.		
Series	Please refer to the full part list attachment for details.		
Reason for Change	Equipment Transfer, Production Transfer or Rearrangement		
Change Type Description	This letter is to inform you that production of the part(s) identified in this notice is being moved to a different location. No changes will be made to the product as a result of this move.		
Reason for Short Notice	Update Previously Issued Change Notice		
Assessment of Change	Product will be fully qualified before it is shipped. Qualification reports are available upon request.		
Internal Molex Qualification Date	March 15, 2016		
Sample Availability Date (Changed Part)	March 15, 2016		
Planned Implementation Date	June 10, 2016		
Method of Identifying Change	Date code		

RELEASED

Before Change



After Change

This notification is to inform you that the manufacturing molds for two of the individual components of 34062-XXXX will be transferring to a new location. (Components are highlighted below in red)

After the implementation of GCN 10692554, the MX150 GFI will no longer be dual-manufactured. Sole manufacturing will be out of Chengdu, China. To provide additional capacity support, the TPA and CPA molds will be transferring from the Singapore Manufacturing Plant into the Chengdu Manufacturing Plant.



Product Change Notification (PCN)

You may address any technical inquiries regarding this PCN by sending E-mail to pcn_coordinator@molex.com or your Local Sales Engineer.

Note: While responding, please retain "**PCN Notification:500663**" in the e-mail Subject line for faster response.

RELEASED

Molex, LLC
2222 Wellington Court
Lisle, IL 60532
TEL: 630-969-4747
www.molex.com