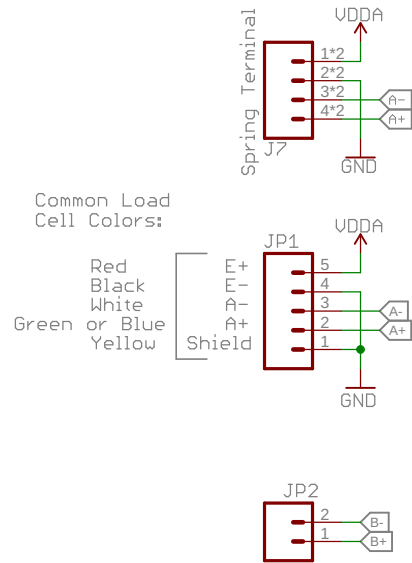
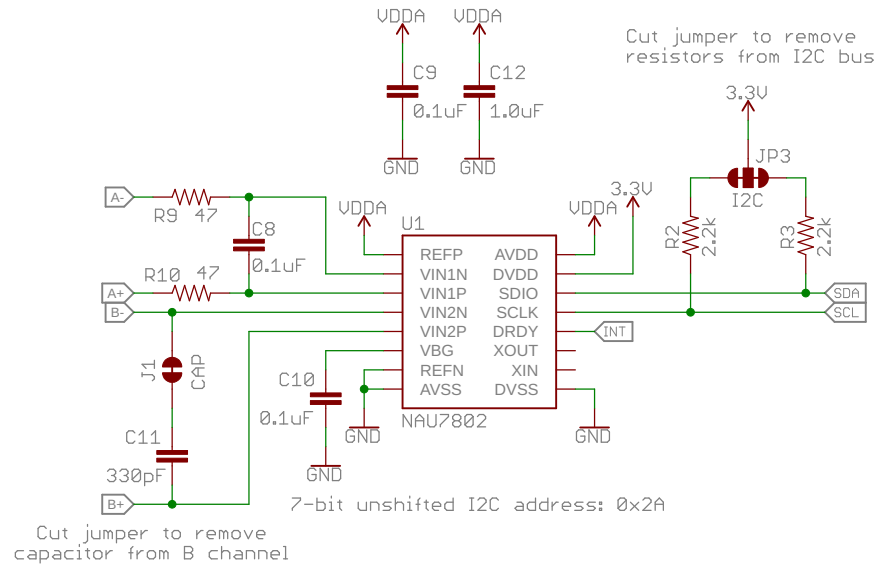


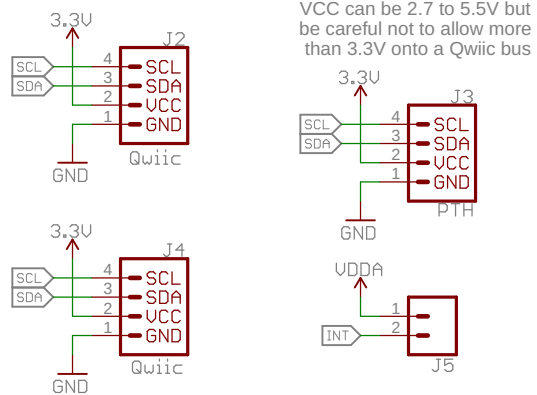
Scale Interface



NAU7802



Comm Interface



Power



sparkfun
QWIIC

open hardware

Released under the Creative Commons Attribution Share-Alike 4.0 License
<https://creativecommons.org/licenses/by-sa/4.0/>



TITLE: Qwiic_Scale

Design by: N. Seidle

REV: U10

Date: not saved!

Sheet: 1/1