

6

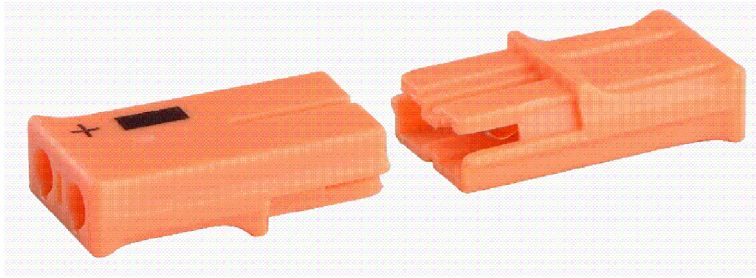
5

4

3

2

1



SPECIFICATIONS:

Housing: PA66, UL-94V-0 rated

Contacts: Copper alloy

Ratings: 3A, 120VAC

1.3A, 277VAC

1.04A, 347VAC

0.75A, 480VAC

0.6A, 600VAC

Applicable wire: 18AWG, solid or Tin bonded stranded

Wire Strip length: 9~10mm

Max. operating temperature: 105°C

Certifications:

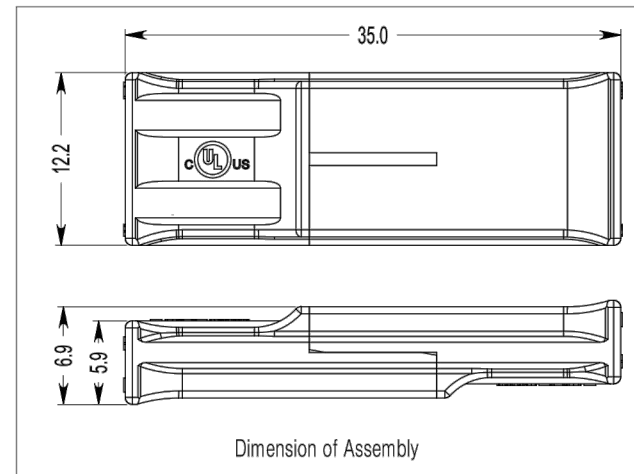
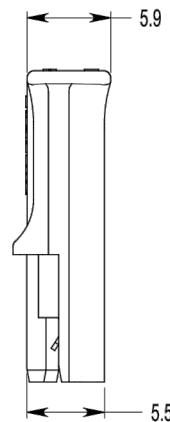
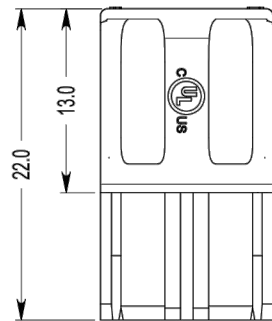
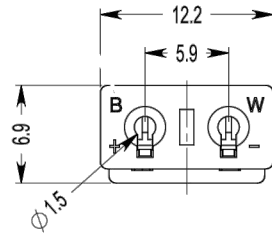
UL2459 "Touch safe"



CSA 22.2/2459

Meets NEC 410.73(G) & CEC 30-308 (4)

RoHS COMPLIANT



REVISIONS	CHANGE	CHKG	CHECK	APPR
	DATE	11/16/17		
	REV	A		
	BY			

TOLERANCE UNLESS OTHERWISE SPECIFIED	
X	± 1
X.X	± 0.4
X.XX	± 0.13
DRAWN BY	PB
CHECK BY	
APPR BY	
DATE:	10/26/17

Power Dynamics, Inc.	
Phone: 973 560-0019 Whippany, New Jersey Fax: 973 560-0076	
PART: LUMINAIRE DISCONNECTOR 2X2 TYPE; INTERCHANGABLE GENDERLESS	
PART #:	PD-CN-011
SIZE:	A
SCALE:	NTS
ALL DIMENSIONS FOR REFERENCE ONLY DIMENSIONS ARE IN MILLIMETERS	
SHEET	1 of 1
REV:	A

6

5

4

3

2

1