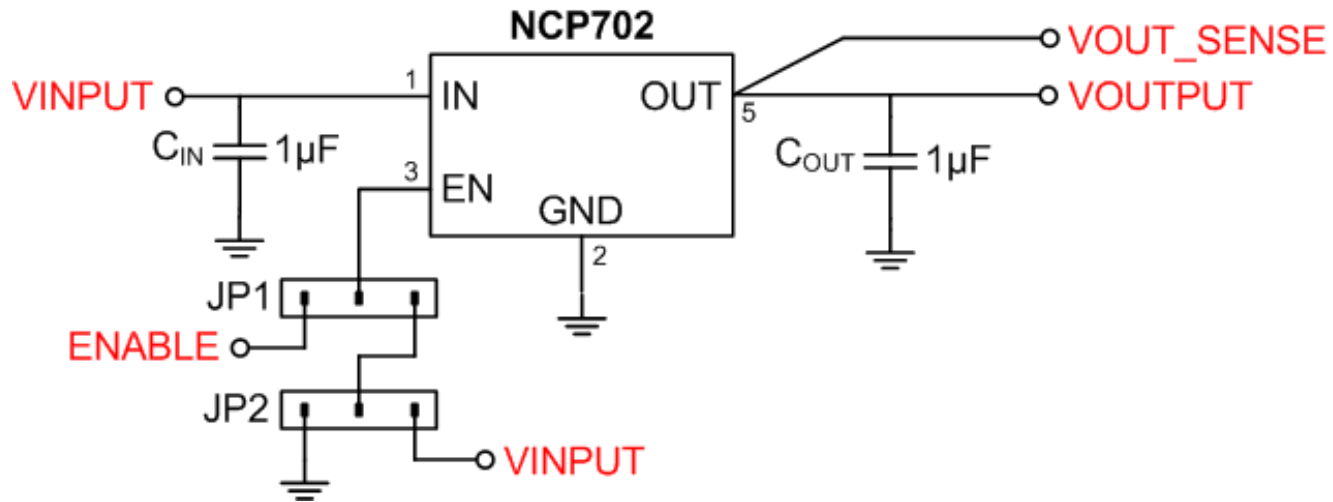




Schematic for the NCP702SN33T1GEVB Evaluation Board



NCP702, 200mA, Ultra-Low Noise LDO PCB Schematic