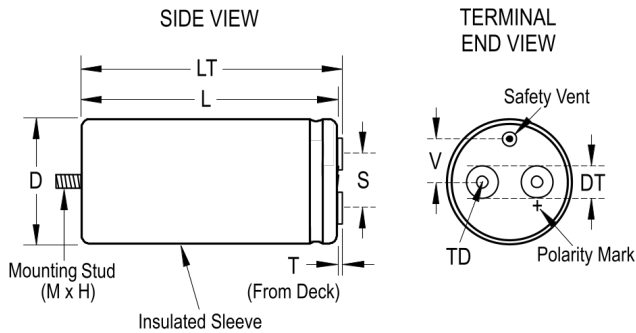


ALS31J152NF500

Aliases (A431TM152M500J)

Obsolete

ALS31, Aluminum Electrolytic, 1,500 uF, 20%, 500 VDC, -40/+85°C



Dimensions

D	77mm +/-1mm
L	105mm +/-2mm
T	3.17mm +/-0.5mm
S	31.8mm +/-0.5mm
DT	17mm +/-0.5mm
LT	110.5mm +/-1mm
TD	8.8mm MIN
V	19mm NOM

Packaging Specifications

Sleeving	Yes
Packaging	Bulk, Box

General Information

Series	ALS31
Dielectric	Aluminum Electrolytic
Description	Screw Terminal, Aluminum Electrolytic
RoHS	Yes
AEC-Q200	No
Component Weight	690 g
Notes	Dimensions D And L Include Sleeving. Dimension LT Available On Request. MS (MxH) = M12x16.
Shelf Life	156 Weeks

Specifications

Capacitance	1,500 uF
Capacitance Tolerance	20%
Voltage DC	500 VDC
Temperature Range	-40/+85°C
Rated Temperature	85°C
Life	20000 Hrs (Rated Voltage And Ripple Current At 85C), 40000 Hrs (Rated Voltage At 85C)
Resistance	120 mOhms (100Hz 20C), 65 mOhms (10kHz 20C)
Ripple Current	10.6 Amps (100Hz 85C), 17 Amps (10kHz 85C)
Leakage Current	4500 uA (5min 20°C)