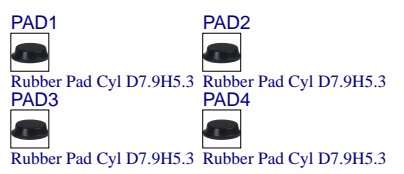
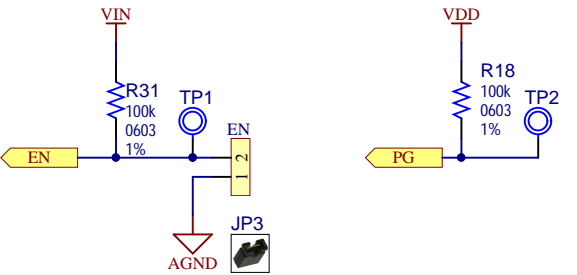
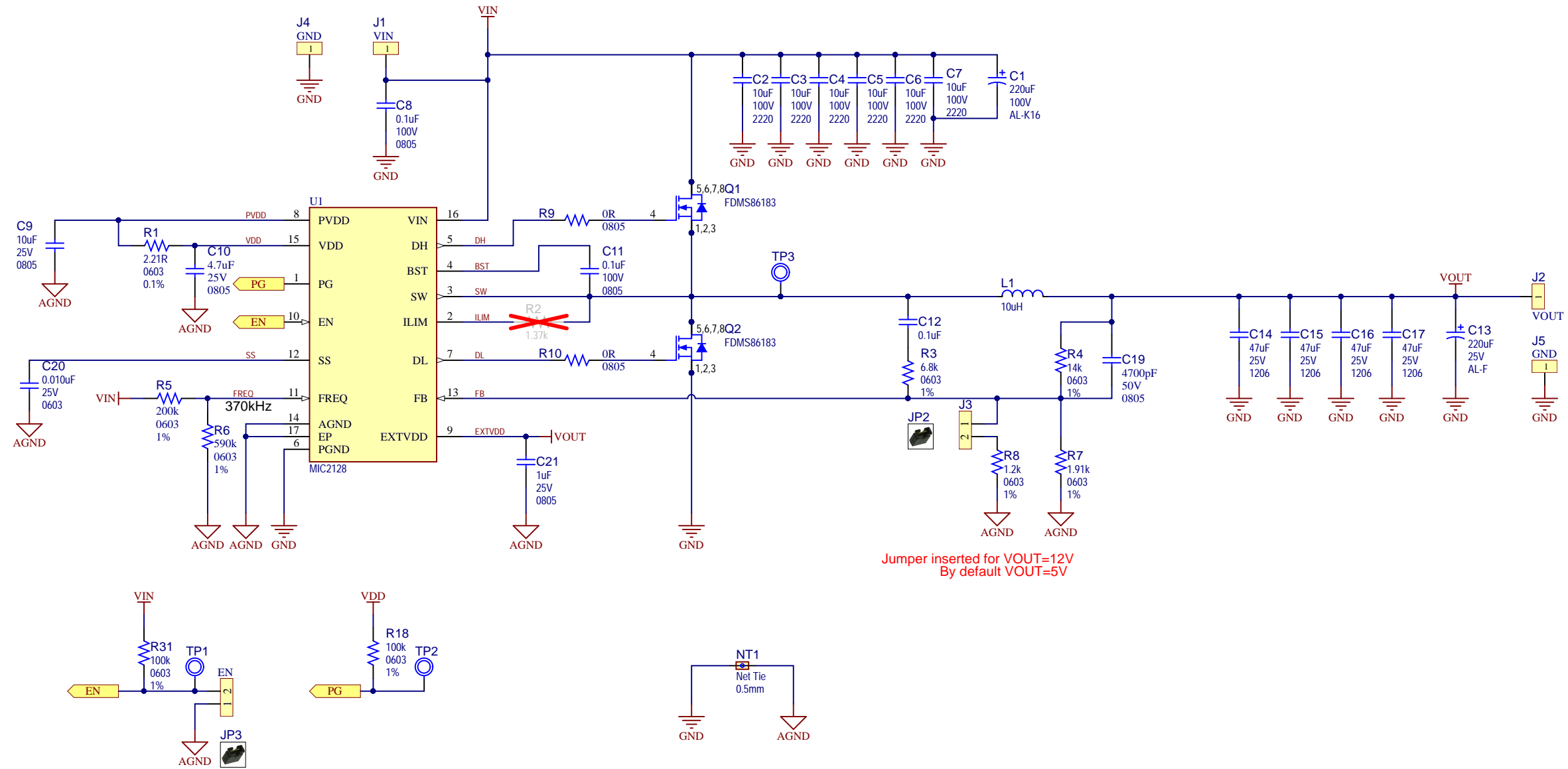


REV	ECO#	DESCRIPTION	DATE



LABEL1
Need Help?
<http://support.microchip.com>
Assy# Serial #
Label Need Help Large

Drawn By: Cristian Papuc			
Engineer: Victor Uzum			
PartNumber: ADM01006	Project Title MIC2128 High Power Evaluation Board	Variant: Standard	
Sheet Title MIC2128 High Power Evaluation Board			
Size B	Sch #:03-11061	Date: 10/2/2019 5:16:17 PM	 Altium.com
Revision: 1	Sheet 1 of 1		
File: Mechanical.SchDoc			