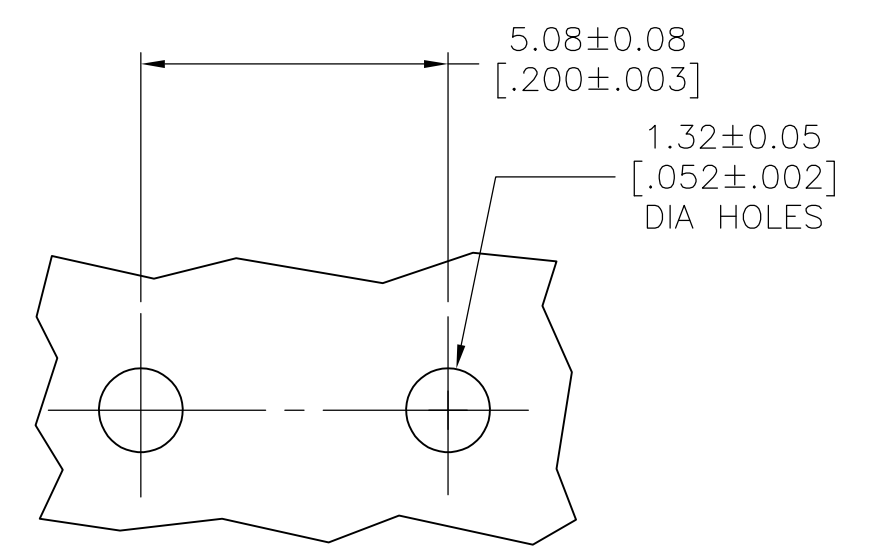
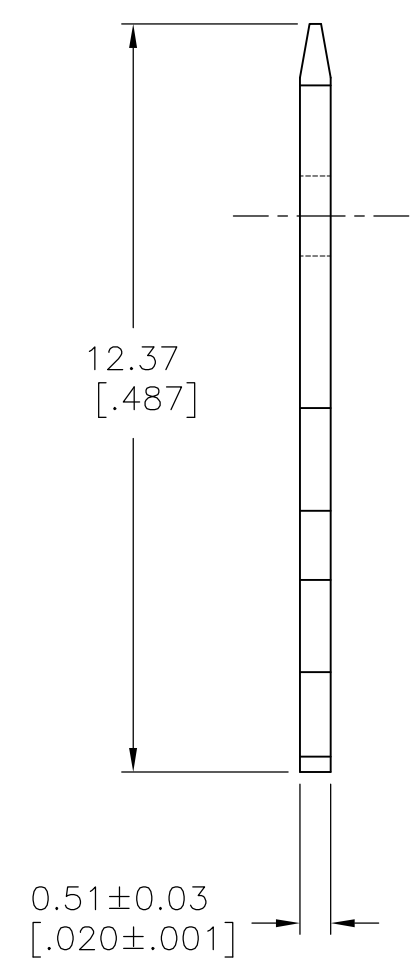
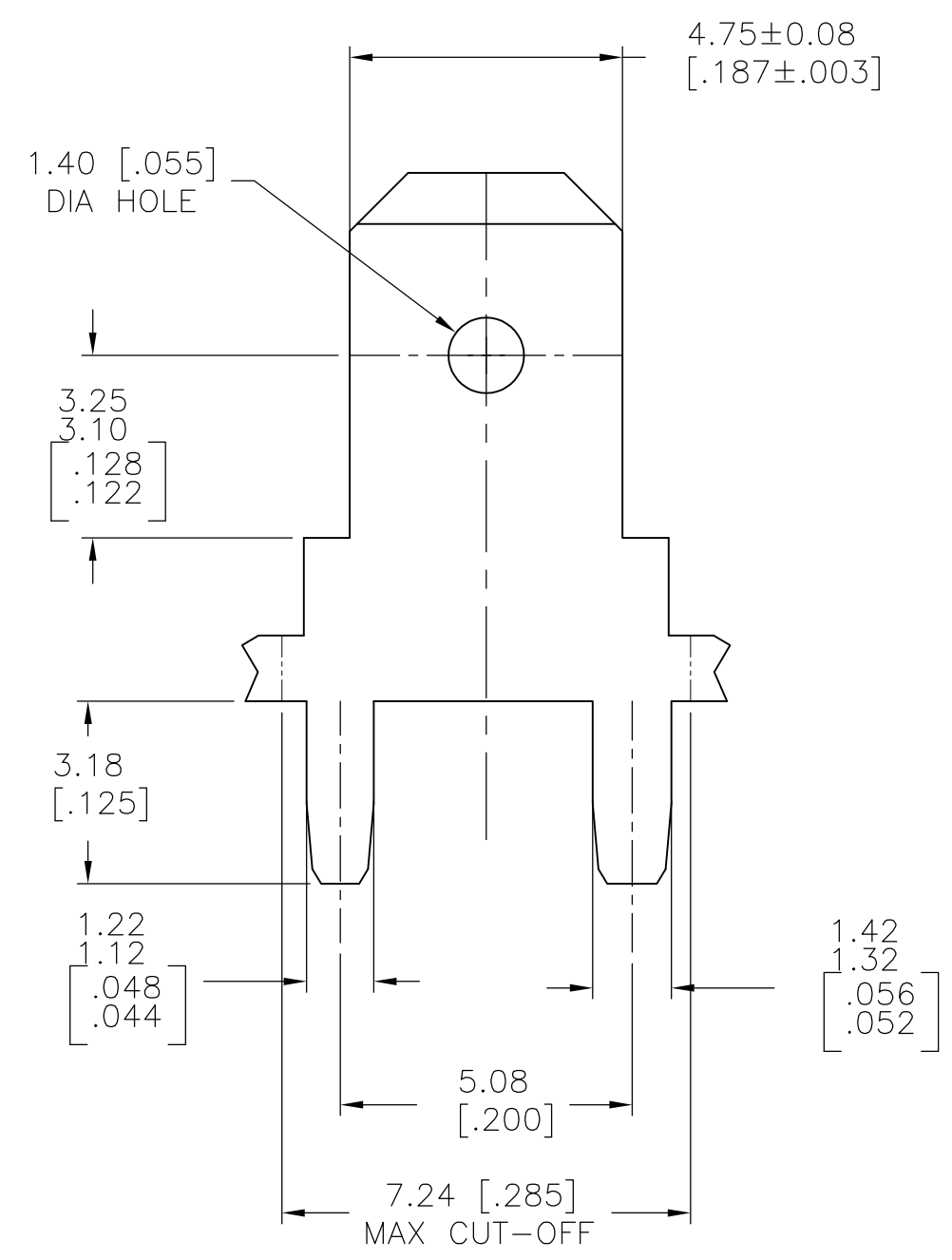


THIS DRAWING IS UNPUBLISHED. RELEASED FOR PUBLICATION  
 © COPYRIGHT - By - ALL RIGHTS RESERVED.

LOC	DIST	REVISIONS					
		P	LTR	DESCRIPTION	DATE	DWN	APVD
-	-		E	REVISED PER ECR-13-001204	21JUN13	KH	PD

- 1 CONTINUOUS STRIP ON REELS.
- 2 0.00381 [.000150] MIN TIN OVER  
0.00254 [.000100] MIN THK COPPER.



63603-1  
PART NUMBER

THIS DRAWING IS A CONTROLLED DOCUMENT.		DWN JR RUTH 30NOV00	TE Connectivity			
DIMENSIONS: mm [INCHES]		CHK MS FEHER 30NOV00				
TOLERANCES UNLESS OTHERWISE SPECIFIED:		APVD G PORTA 30NOV00	PRODUCT SPEC -		RESTRICTED TO -	
0 PLC ± - 1 PLC ± - 2 PLC ± 0.25 [.010] 3 PLC ± - 4 PLC ± - ANGLES ± -		APPLICATION SPEC -		SIZE A3	CAGE CODE 00779	DRAWING NO C-63603
MATERIAL BRASS		FINISH TIN OVER COPPER		WEIGHT -		SCALE 8:1
CUSTOMER DRAWING				SHEET 1 OF 1		REV E