

**PLEASE CHECK WWW.MOLEX.COM FOR LATEST PART INFORMATION**

**Part Number:** [0554470570](#)  
**Status:** **Active**  
**Description:** 1.25mm Pitch Mi II System Wire-to-Board Header, Single Row, Vertical, with Positive Lock, 5 Circuits

**Documents:**

[3D Model](#) [Product Specification PS-54596-021-001 \(PDF\)](#)  
[Drawing \(PDF\)](#) [RoHS Certificate of Compliance \(PDF\)](#)  
[Product Specification PS-54596-018-001 \(PDF\)](#)

**General**

Product Family PCB Headers  
 Series [55447](#)  
 Application Signal, Wire-to-Board  
 Product Name Mini Mi II  
 UPC 756054760383

**Physical**

Breakaway No  
 Circuits (Loaded) 5  
 Circuits (maximum) 5  
 Color - Resin Natural  
 Durability (mating cycles max) 30  
 First Mate / Last Break No  
 Glow-Wire Capable No  
 Guide to Mating Part No  
 Keying to Mating Part None  
 Lock to Mating Part Yes  
 Material - Plating Mating Tin  
 Material - Plating Termination Tin  
 Material - Resin Nylon  
 Net Weight 459.400/mg  
 Number of Rows 1  
 Orientation Vertical  
 PC Tail Length 3.00mm  
 PCB Locator Yes  
 PCB Retention Yes  
 PCB Thickness - Recommended 1.60mm  
 Packaging Type Tray  
 Pitch - Mating Interface 1.25mm  
 Polarized to Mating Part Yes  
 Shrouded Fully  
 Stackable No  
 Surface Mount Compatible (SMC) No  
 Temperature Range - Operating -40° to +105°C  
 Termination Interface: Style Through Hole

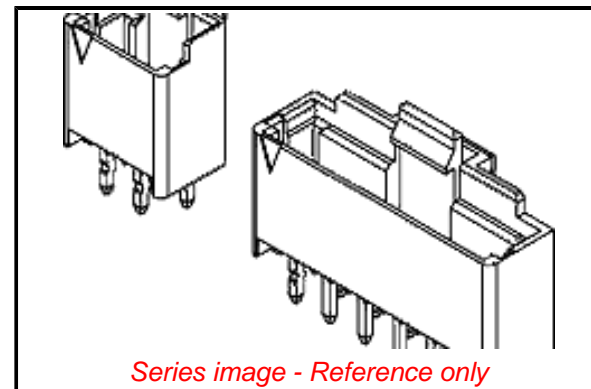
**Electrical**

Current - Maximum per Contact 1.5A  
 Voltage - Maximum 100V

**Material Info**

**Reference - Drawing Numbers**

Product Specification PS-54596-018-001, PS-54596-021-001  
 Sales Drawing SD-55447-010



Series image - Reference only

**EU ELV**

**Not Relevant**

**EU RoHS**

**Compliant**

**China RoHS**

**REACH SVHC**

Not Contained Per -  
 ED/61/2018 (27 June  
 2018)

**Halogen-Free**

**Status**

**Not Low-Halogen**

**Need more information on product environmental compliance?**

Email [productcompliance@molex.com](mailto:productcompliance@molex.com)  
 Please visit the [Contact Us](#) section for any non-product compliance questions.

China ROHS	Green Image
ELV	Not Relevant
Prop65	Compliant
RoHS Phthalates	Not Contained

**Search Parts in this Series**

[55447 Series](#)

**Mates With**

[51336](#) PBT Polyester, Glass-filled Housing,  
[54596](#) PA Polyamide Housing

This document was generated on 09/10/2018

**PLEASE CHECK [WWW.MOLEX.COM](http://WWW.MOLEX.COM) FOR LATEST PART INFORMATION**